

FULTON COLD ONLY FILTRATION FAUCET

Model # 1425C



PRODUCT DESCRIPTION

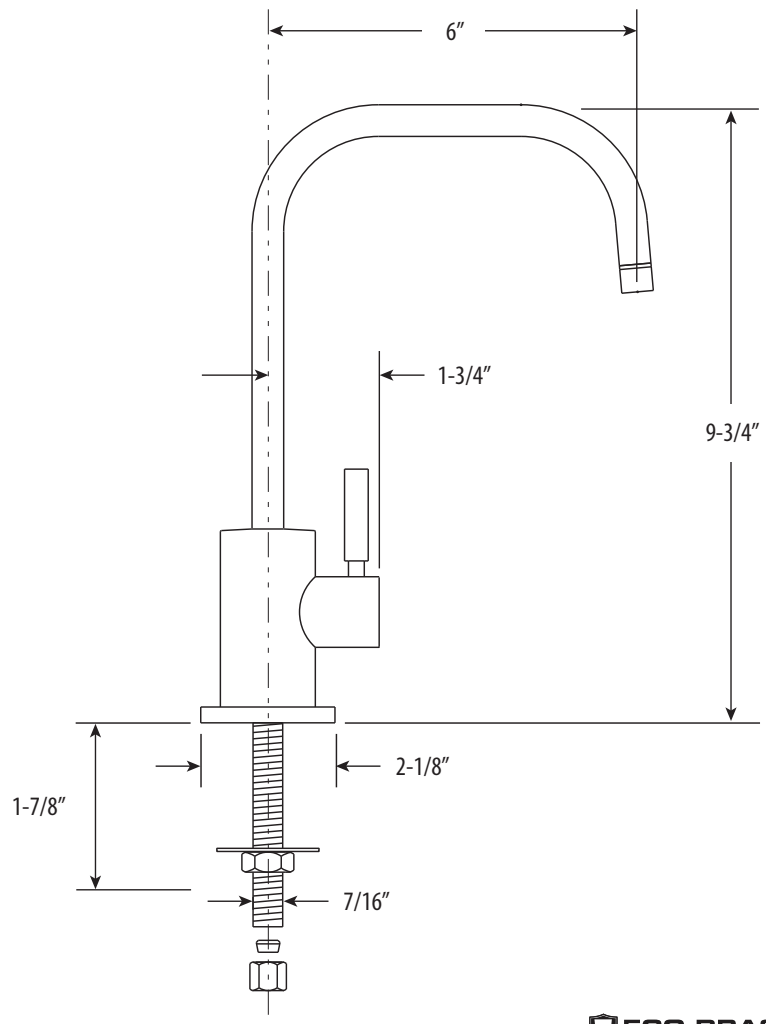
- Compatible with Reverse Osmosis filtration systems.
- 2 bend U-spout with 6" reach.
- 1.1 gpm maximum flow rate.
- Solid brass or stainless steel construction.
- Spout swivels 360 degrees.
- 1/4 turn ceramic disk valve cartridge.
- Lever handle.
- 1/4" compression connection.

CODES/STANDARDS APPLICABLE

Specified model meets or exceeds the following:

- ASME A112.18.1
- CSA B125.1
- NSF 61, 371
- CALGreen
- ADA Compliant

- Max Counter Thickness 1-7/8"
- Install Hole Size Adaptable Up to 3/4"



ECO BRASS
 HIGH PERFORMANCE LEAD FREE BRASS

DIMENSIONS MAY VARY AND ARE SUBJECT TO CHANGE. NO RESPONSIBILITY IS ASSUMED FOR USE OF SUPERCEDED OR VOIDED DATA

AVAILABLE IN 32 FINISHES + SOLID STAINLESS STEEL

Almond - 01	Black Nickel - BLN	Distressed Antique Copper - DAC	Polished Gold - PG	Unlaquered Polished Brass - UPB
Antique Brass - AB	Black-Oil Rubbed Bronze - ORB	Distressed American Bronze - DAMB	Polished Nickel - PN	Venetian Bronze - VB
Antique Bronze - ABZ	Biscuit - 07	Distressed Antique Pewter - DAP	Satin Chrome - SC	Weathered Brass - WB
Antique Copper - AC	Caribbean Bronze - CB	Euro-White - EW	Satin Gold - SG	Weathered Copper - WC
American Bronze - AMB	Chocolate Bronze - CHB	Matte Black - MB	Satin Nickel - SN	White - WT
Antique Pewter - AP	Chrome - CH	Polished Brass - PB	Stainless Steel - SS*	
Black - 06	Distressed Antique Brass - DAB	Polished Copper - PC	Tuscan Brass - TB	

**Contemporary Styles Only*