

# THIS SPACE FOR DESIGNER/ ENGINEER APPROVAL

Job/Customer \_\_\_\_\_ Date \_\_\_\_\_ Contractor \_\_\_\_\_

Model Specified \_\_\_\_\_ Qty \_\_\_\_\_ Approved By \_\_\_\_\_

Designer/Engineer \_\_\_\_\_ Date \_\_\_\_\_ Contractor's PO# \_\_\_\_\_

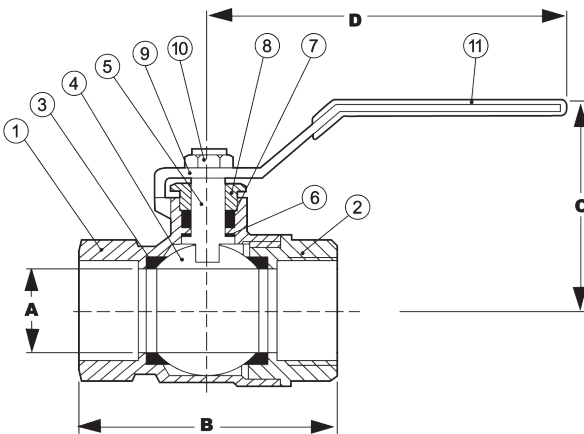
Submitted by \_\_\_\_\_ Date \_\_\_\_\_ Other \_\_\_\_\_

## 4050 Series FULL PORT B62 BRONZE BALL VALVES W/ 304 STAINLESS STEEL HANDLE IPS 600 WOG / 150 WSP - ISO 9001:2008

ITEM #	SIZE	P/CARTON	P/CASE	A	B	C	D	C <sub>v</sub>
40500	1/4"	10	100	1/4	1 7/8	1 1/2	3 1/8	6.4
40501	3/8"	10	100	3/8	1 7/8	1 1/2	3 1/8	7.8
40502	1/2"	10	100	1/2	2 1/8	1 11/16	3 1/8	11.5
40503	3/4"	6	60	3/4	2 9/16	2	4 1/2	27.0
40504	1"	6	42	1	2 15/16	2 1/4	4 5/8	56.5
40505	1 1/4"	4	32	1 1/4	3 1/4	2 1/2	5	119.4
40506	1 1/2"	4	20	1 1/2	3 1/8	2 7/8	6	174.6
40507	2"	2	12	2	4 3/8	3 1/2	6 3/8	248.6
40508	2 1/2"	2	10	2 1/2	5 1/2	4 1/4	6 3/8	337.1
40509	3"	2	8	3	6 1/4	4 1/4	7 7/8	383.8



NO.	DESCRIPTION	MATERIAL
1	BODY	BRONZE
2	END CAP	BRONZE
3	SEATS	PTFE
4	BALL	BRASS HCP
5	STEM	BRASS
6	THRUST WASHER	PTFE
7	STEM SEAL	BRASS
8	PACKING GLAND	304 STAINLESS STEEL
9	LEVER HANDLE	304 STAINLESS STEEL
10	NUT	304 STAINLESS STEEL
11	HANDLE JACKET	VINYL



TEMP °F	WOG
100	600
150	490
200	470
250	439
300	411
350	294
366	N/A

Specifications: Designed for residential and industrial use with a broad range of fluid handling applications. This approved Webstone Valve is actuated by a blowout proof stem with a seal that features an adjustable packing nut. Threaded ends comply with ANSI B1.20.1

**Webstone** Company, Inc.  
www.webstonevalves.com

Quality and Commitment Since 1954

Tel: (800) 225-9529 • Fax (800) 336-5133

Webstone product specifications in U.S. customary units are approximate and are provided for reference only. Webstone reserves the right to change or modify product design, construction, specifications or materials without prior notice and without incurring any obligation to make such changes and modifications on Webstone products previously or subsequently sold.

4050spec\_102009