

# THIS SPACE FOR DESIGNER/ ENGINEER APPROVAL

Job/Customer \_\_\_\_\_ Date \_\_\_\_\_ Contractor \_\_\_\_\_

Model Specified \_\_\_\_\_ Qty \_\_\_\_\_ Approved By \_\_\_\_\_

Designer/Engineer \_\_\_\_\_ Date \_\_\_\_\_ Contractor's PO# \_\_\_\_\_

Submitted by \_\_\_\_\_ Date \_\_\_\_\_ Other \_\_\_\_\_

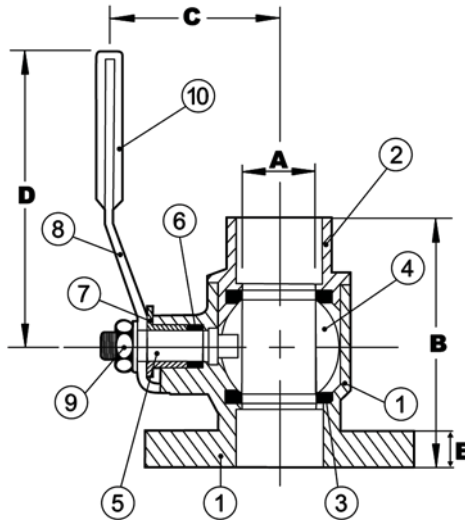
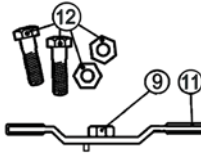
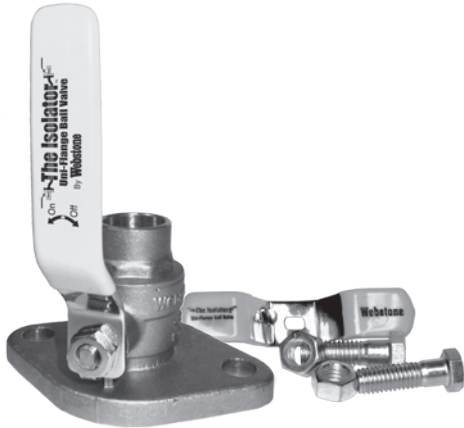
## 5040 Series & 5040HV

**FULL PORT FORGED BRASS  
UNI-FLANGE BALL VALVES  
W/ BONUS WING STYLE "T" HANDLE,  
NUTS & BOLTS  
SWT x FLANGE  
600 WOG - ISO 9001:2000**



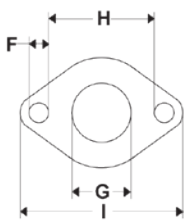
**The Only Way To  
Isolate Circulator Pumps**

ITEM #	SIZE	P/CARTON	P/CASE	A	B	C	D	E	F	G	H	I
50402	1/2"	2	20	1/2	2 1/8	1 7/8	3 7/8	3/8	1/2	1 1/2	2 11/16	4 1/8
50403	3/4"	2	20	3/4	2 9/16	2 1/16	3 7/8	3/8	1/2	1 1/2	2 11/16	4 1/8
50404	1"	2	20	1	2 15/16	2 1/2	4 5/8	3/8	1/2	1 1/2	2 11/16	4 1/8
50405	1 1/4"	2	20	1 1/4	3 1/8	2 13/16	4 5/8	3/8	1/2	1 1/2	2 11/16	4 1/8
50406	1 1/2"	2	20	1 1/2	4 3/8	3 3/8	5 9/16	3/8	1/2	1 1/2	2 11/16	4 1/8
50404HV	1"	2	20	1	2 15/16	2 1/2	4 5/8	3/8	5/8	1 1/2	2 11/16	4 1/8
50405HV	1 1/4"	2	20	1 1/4	3 1/8	2 13/16	4 5/8	3/8	5/8	1 1/2	2 11/16	4 1/8
50406HV	1 1/2"	2	20	1 1/2	4 3/8	3 3/8	5 9/16	3/8	5/8	1 1/2	2 11/16	4 1/8
50407HV	2"	2	10	2	5 1/16	3 3/4	5 9/16	3/8	5/8	2	2 11/16	4 1/8

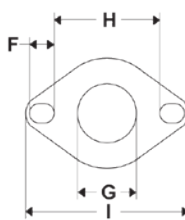


NO.	DESCRIPTION	MATERIAL
1	FLANGED BODY	BRASS
2	END CAP	BRASS
3	SEATS	PTFE
4	BALL	BRASS HCP
5	STEM	BRASS
6	STEM SEAL	PTFE
7	PACKING GLAND	BRASS
8	LEVER HANDLE	CP STEEL
9	HANDLE NUT	STAINLESS STEEL
10	HANDLE JACKET	VINYL
11	WING STYLE "T" HANDLE	CP STEEL W/ VINYL GRIPS
12	FLANGE BOLTS & NUTS	STEEL

FLANGE FOR REGULAR MODELS



FLANGE FOR HIGH VELOCITY PUMP MODELS



TEMP °F	WOG
100	600
150	485
200	395
250	210
300	N/A
350	N/A
366	N/A

Specifications: Designed for residential, commercial or industrial use with water, oil or gas. This approved Webstone Valve is actuated by a blowout proof stem and features an adjustable packing nut. Solder joint temperature ratings are per ASME B16.18 Annex A for 95-5 solder. Other solder materials have lower pressure/temperature limits. Do not silver braze or over heat valves when soldering.

**Webstone** Company, Inc.  
www.webstonevalves.com

Quality and Commitment Since 1954

Tel: (800) 225-9529 • Fax (800) 336-5133

Webstone product specifications in U.S. customary units are approximate and are provided for reference only. Webstone reserves the right to change or modify product design, construction, specifications or materials without prior notice and without incurring any obligation to make such changes and modifications on Webstone products previously or subsequently sold. The Isolator® is a registered trademark of Webstone Company, Inc.