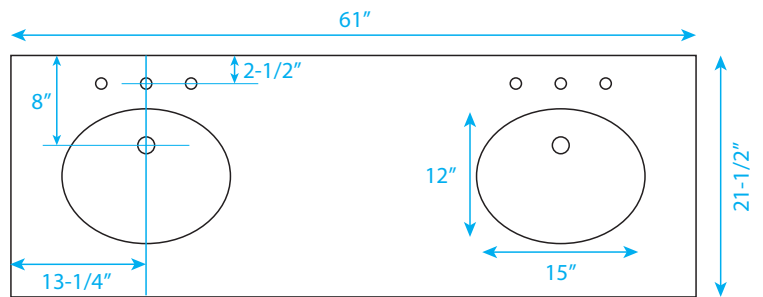
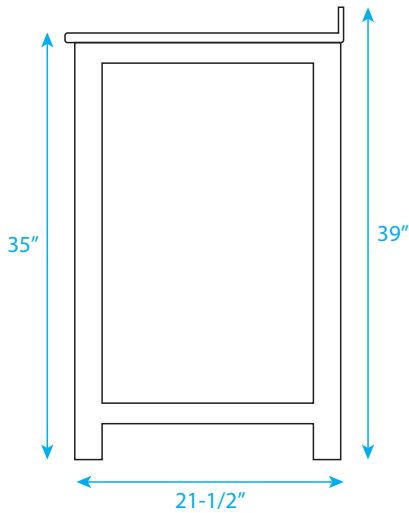
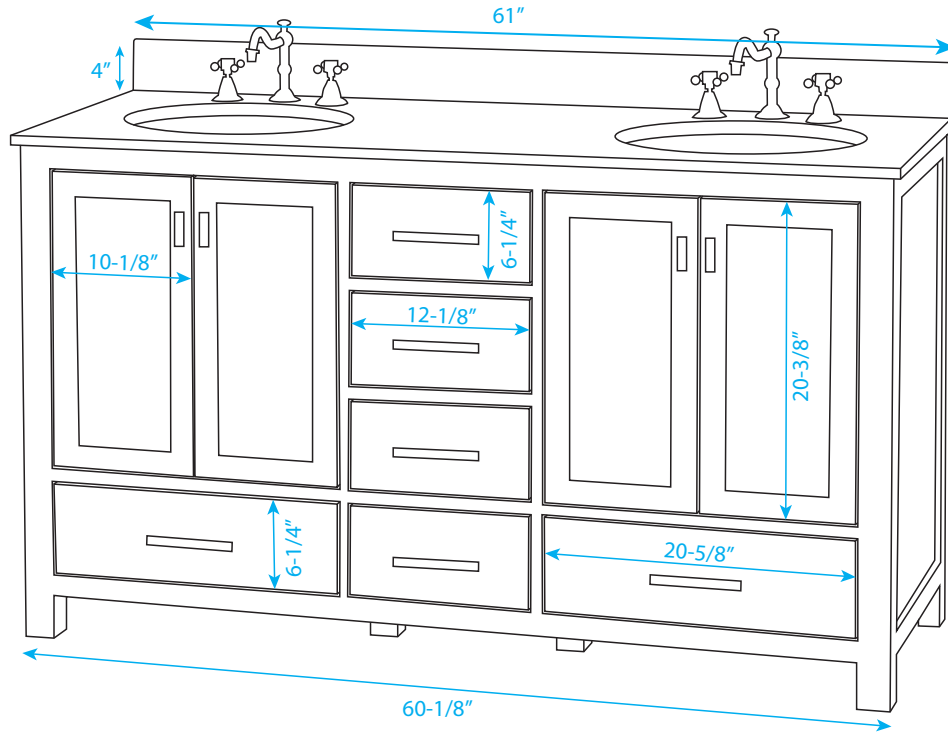


# WYNDHAM COLLECTION



WC-1515-60-DBL