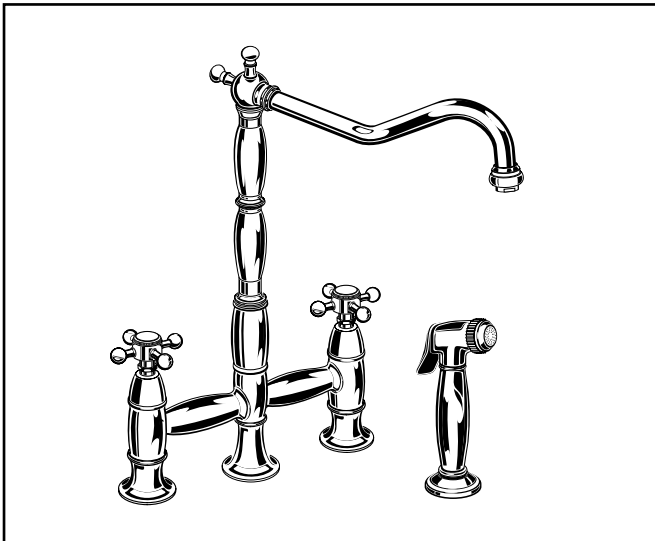


American Standard




CULINAIRE™

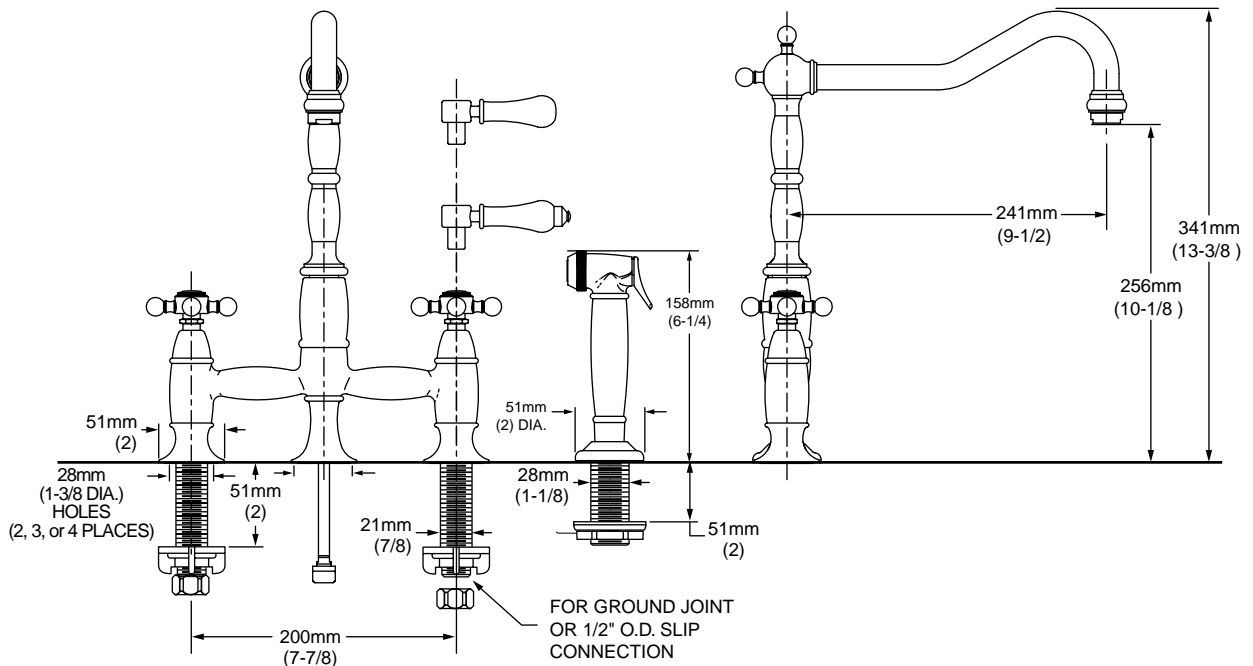
TWO-HANDLE TOP-MOUNT BRIDGE KITCHEN FAUCET WITH BRASS SPOUT



4233.701 Shown.

MODEL NUMBER:

- 4233.701 Top-Mount Kitchen Faucet** Metal Handspray. Metal cross handles. 
- 4233.711 Top-Mount Kitchen Faucet** Metal Handspray. Porcelain lever handles. 
- 4233.721 Top-Mount Kitchen Faucet** Metal Handspray. Metal lever handles. 



GENERAL DESCRIPTION:

Durable brass construction. 1/4 turn washerless ceramic disc valve cartridges - reversible for use with either lever or cross handles. 241mm (9-1/2") Brass swing spout, brass handles and metal color-matched side spray. One-half inch male inlet shanks with brass coupling nuts. Pressure compensating aerator with 2.2 gpm/8.3 L/min. maximum flow rate. Cap provided for less spray applications.

PRODUCT FEATURES:

Brass Construction and Cast Brass Waterway: Durable - Excellent in high use applications. Ideal for prolonged contact with water.

Ceramic Disc Valve Cartridges: Assures a lifetime of drip-free performance.

Larger Spout: Increased spout height, reach and diameter.

Low Lead: Meets NSF Standard 61/Section 9 & Prop 65 lead requirements.

Choice of Finishes: Available in a wide range of durable finishes.

SUGGESTED SPECIFICATION:

Two handle top-mount bridge kitchen faucet shall feature brass construction with all brass inlet shanks and coupling nuts. 241mm (9-1/2") Brass swing spout. Shall also feature 1/4 turn washerless ceramic disc valve cartridges that are reversible for use with cross or lever handles. Fitting shall be American Standard Model # _____.



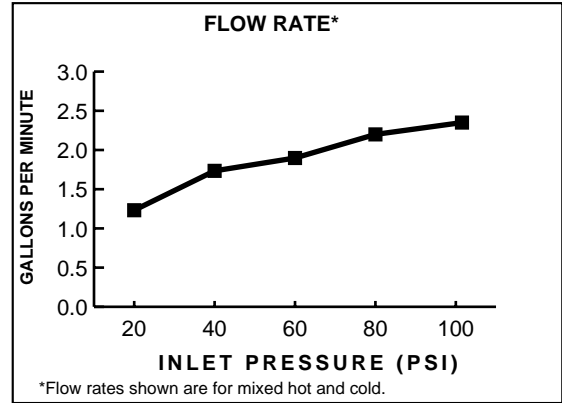
CULINAIRE™

TWO-HANDLE TOP-MOUNT BRIDGE KITCHEN FAUCET WITH BRASS SPOUT

CODES AND STANDARDS

These products meet or exceed the following codes and standards:

- ASME A112.18.1**
- CSA B 125**
- NSF 61/Section 9**



Product Number	Description	Finish Options			
		Polished Chrome	PVD Blackened Bronze	PVD Polished Brass	PVD Satin
		002	099	099	295
4233.701	Kitchen faucet. Handspray. Metal cross handles.				
4233.711	Kitchen faucet. Handspray. Porcelain lever handles.				
4233.721	Kitchen faucet. Handspray. Metal lever handles.				



Meets the American Disabilities Act Guidelines and **ANSI A117.1** Requirements for the physically challenged.