



AUSTEN-V60-TGG  
AUSTEN-V60-TGS

## Features

- Solid birch wood frame
- Plywood panels
- 4 soft-close doors
- 3 soft-close drawers
- 2 interior shelves
- Matte gold hardware
- Adjustable height levelers

## Colors / Couleurs

- Twilight Gray Gold / Or gris crépuscule
- Twilight Gray Silver / Crépuscule gris argent

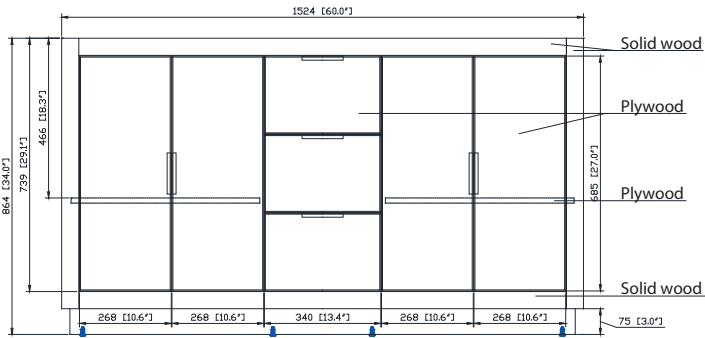
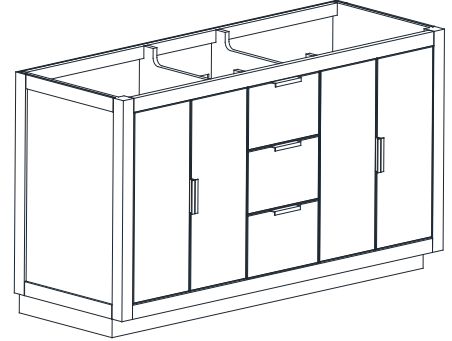
## Nominal Dimension / Dimension Nominale

- 60W x 21.5D x 34H inches | 1524 x 546 x 864 mm

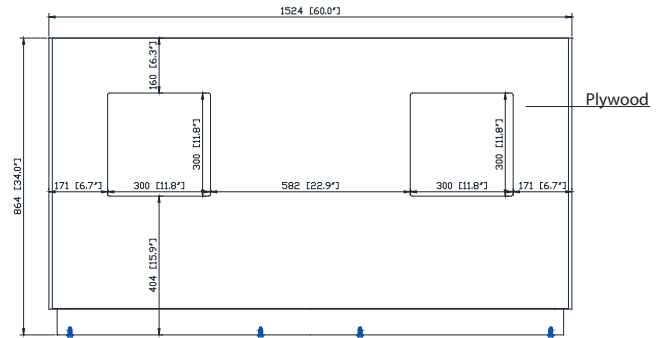
## Product Diagrams / Diagrammes Produit

## Caractéristiques

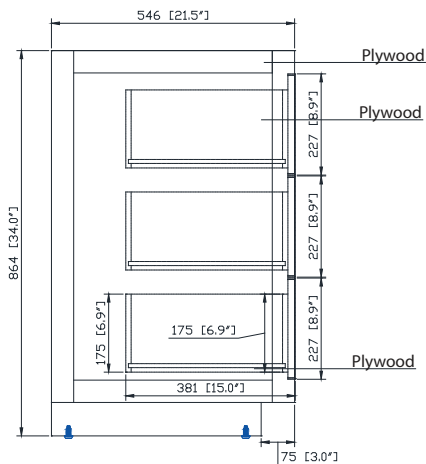
- Cadre en bois de bouleau massif
- Panneau de contreplaqué
- 4 portes à fermeture douce
- 3 tiroirs à fermeture douce
- 2 étagères intérieures
- Quincaillerie au finior mat
- Patins réglables en hauteur



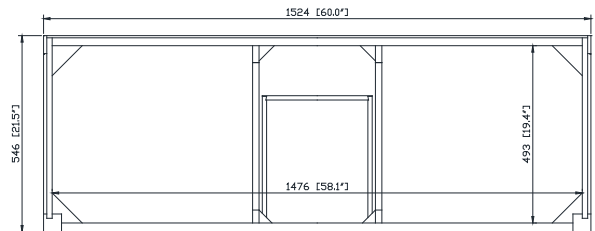
Front / Devant



Back / Derrière



Side / Côté



Top / Haut



SUT61BK-R / SUT61CW -R / SUT61GB-R

### Features

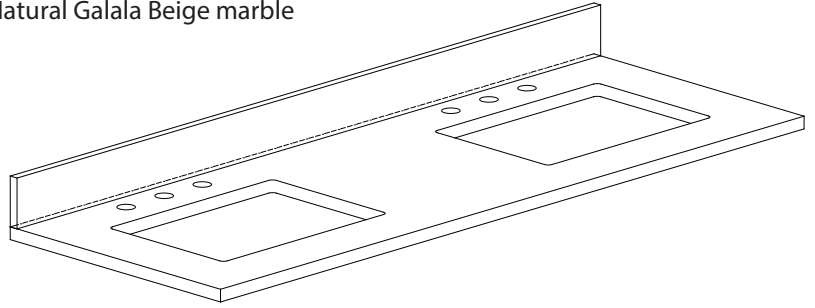
- Top cutout for dual undermount sinks
- Top pre-drilled for 8" widespread faucet
- 4" backsplash included

### Colors / Finishes

- BK - Natural Black Granite
- CW - Natural Carrera White marble
- GB - Natural Galala Beige marble

### Nominal Dimension

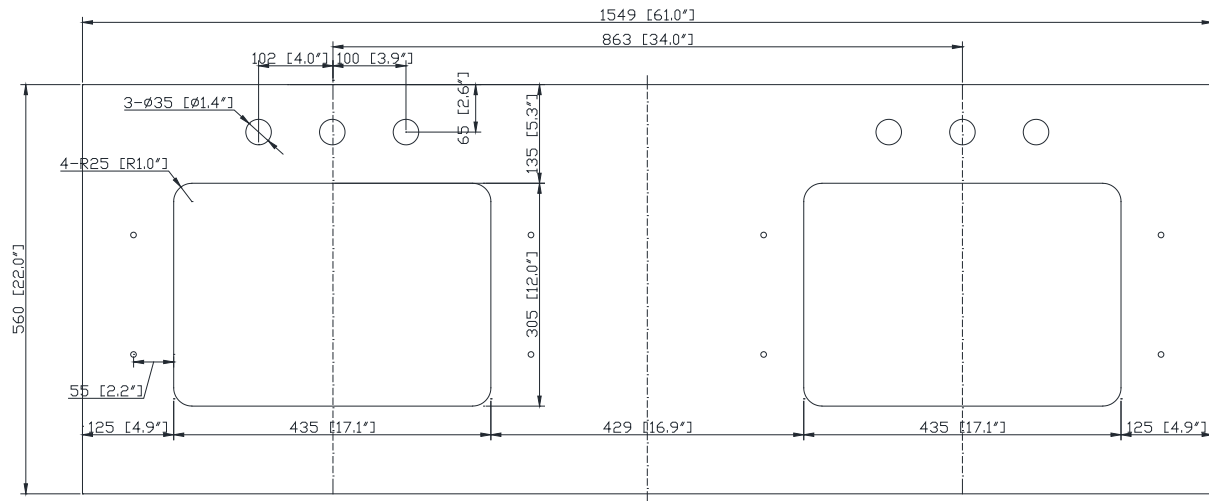
- 61W x 22D x 1H inches
- 1549 x 560 x 25 mm



### Related Items

Sink	CUM20WT-R			
Vanity	BRENTWOOD-V61	BROOKS-V60	HAMILTON-V60	
	LEXINGTON-V60	MADISON-V60	MODERO-V60	THOMPSON-V60

### Product Diagrams



Top



Side

*Avanity*

CUM20WT-R

### Features

- Vitreous China
- Undermount application

### Components

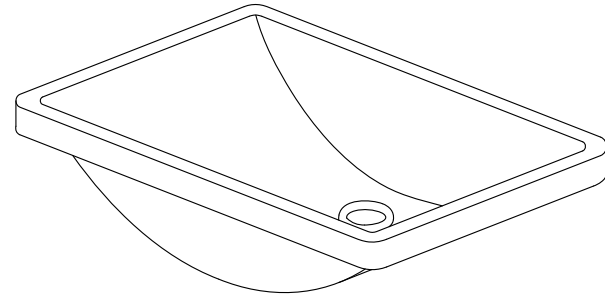
Drain	VC-DRAIN-CP	VC-DRAIN-BN
-------	-------------	-------------

### Colors / Finishes

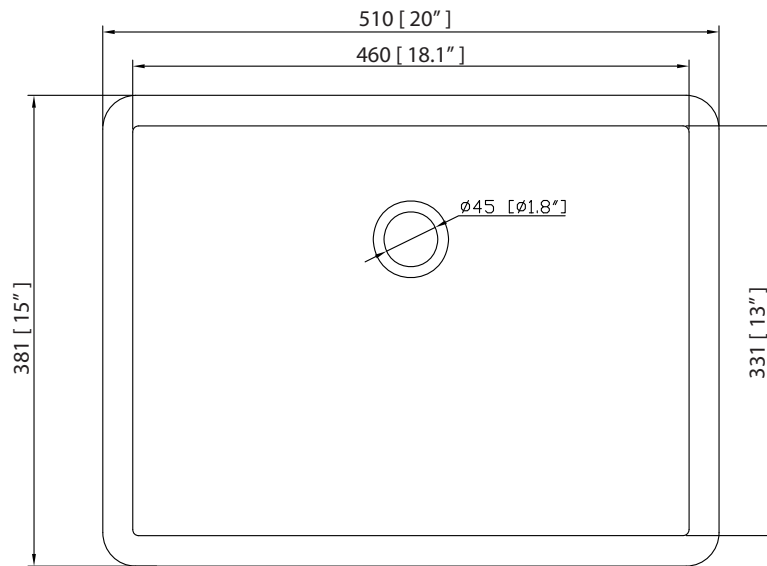
- White

### Nominal Dimension

- 20W x 15D x 7.7H inches
- 510 x 381 x 196mm



### Product Diagrams



Top



Front



Side