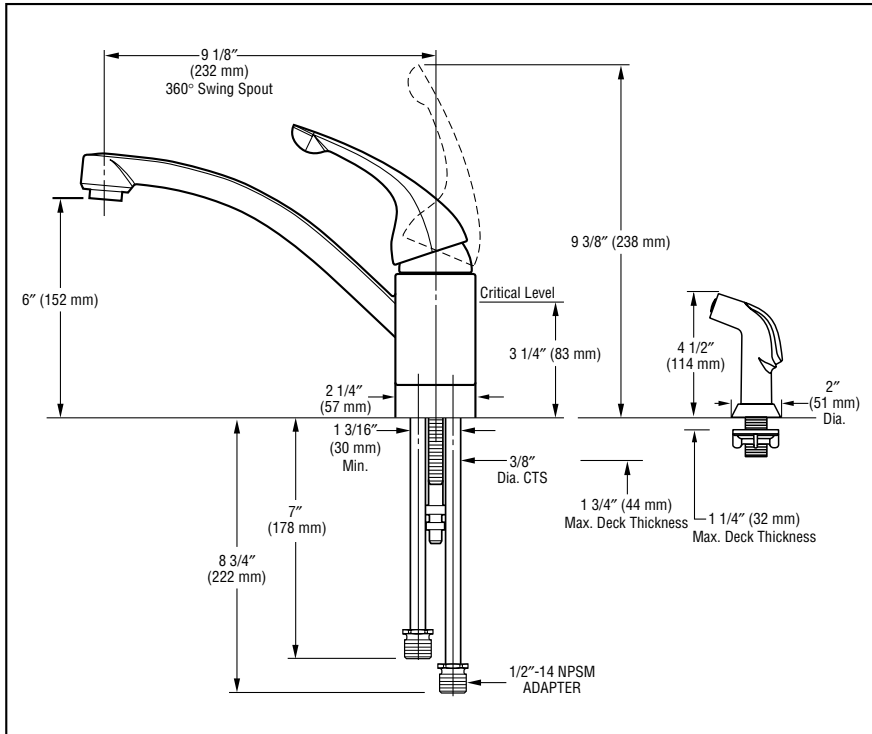


Submitted Model No.: _____

Specific Features: _____



KITCHEN FAUCETS

- Single Handle
- Gourmet® Series
- Deck Mount
- 2 Hole Sink Applications
- Quick Snap® Vegetable Sprayer Hose Installation on Model 451 Series

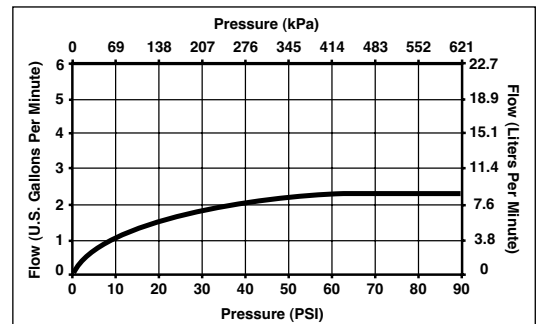


COMPLIES WITH:

- ASME A112.18.1
- CSA B125
- Indicates ADA compliance to ICC/ANSI A117.1
- IAPMO Listed
- CSA Certified
- Complies with lead leachate requirements of ANSI/NSF61 Section 9

STANDARD SPECIFICATIONS:

- Single handle kitchen faucets for exposed mounting on two hole sinks.
- Solid brass fabricated body.
- 9 1/8" (232 mm) long spout swings 360°.
- Lever handle. Control mechanism shall be of the rotating stainless steel ball type with replaceable non-metallic seats operating in stainless steel lined sockets.
- Red/blue graphics on handle button to indicate hot/cold temperature.
- Control handle shall return to neutral position when valve is turned off.
- Model 451 series with spray attachment has anti-siphon device as integral part of valve body.
- Quick Snap® vegetable sprayer hose installation on model 451 series.



Standard Features	451-WF
Washerless	◆
Two Hole Installation	◆
Lever Handle	☐
3/8" O.D. Straight, Staggered Copper Tube Inlets - 7" (178 mm) & 8 3/4" (222 mm) Long with 1/2"-14 NPSM Adapters	◆
45" (1143 mm) Quick Connect Hose and Spray Assembly	◆
Sprayhead Matches Finish	◆
Chrome Finish	◆



Indianapolis, Indiana 46280
 A Division of Masco Corporation of Indiana
 © 2002 Masco Corporation of Indiana