

California Faucets®

Showerhead

2-7/8" SINGLE FUNCTION

Features

- 1/2" FIP inlet
- Brass construction
- 2-7/8" diameter
- Self-cleaning rubber jets
- Replace .FR with desired max flow rate:
SH-09.25 for 2.5 gpm
SH-09.20 for 2.0 gpm

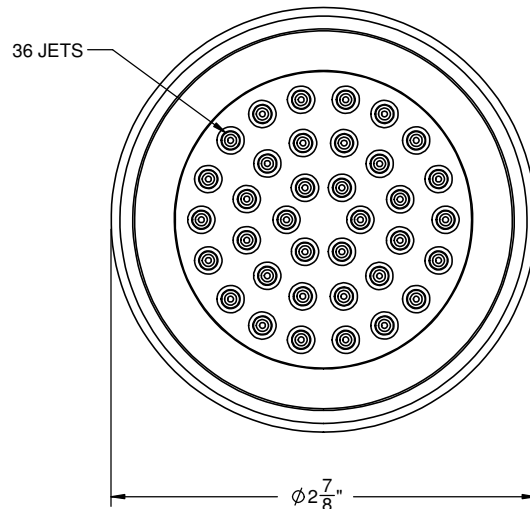
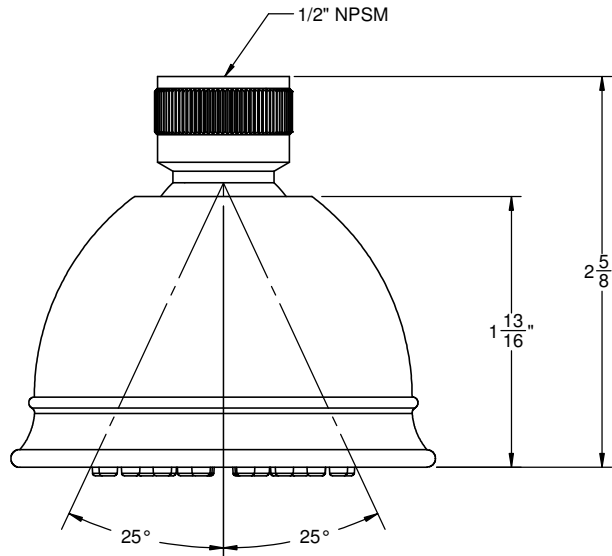


SH-09.25
SH-09.20
SH-09
WE-SH-09



Codes/Standards Applicable

- Product meets or exceeds the following:
- ASME A112.18.1/CSA B125.1
 - CEC (2.0 gpm)



ALL DIMENSIONS SHOWN TO NEAREST 1/16"