

# 19" x 17" Oval Culture Marble Vanity Top-Single Faucet Hole

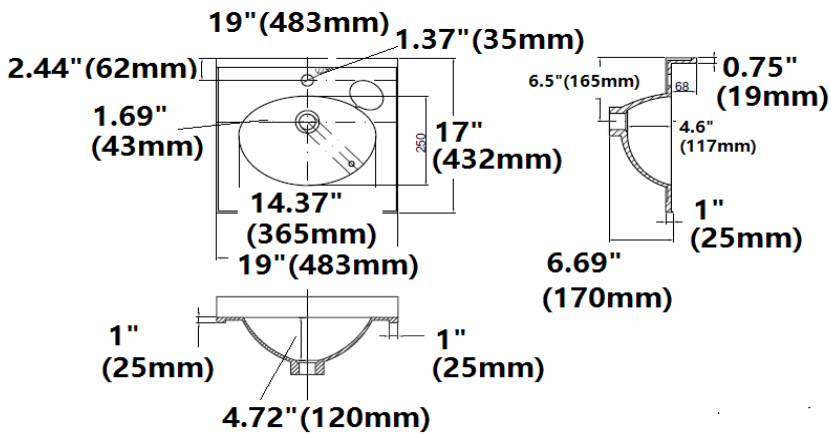


## Specifications

<b>Material Content:</b>	Cultured Marble (Stone filler, Resin and Gel coat)
<b>Back splash:</b>	Integrated, 2-11/16" high, 3/4" thick
<b>Faucet Holes:</b>	1x D1-3/8" holes
<b>Overflow Hole</b>	with, D 9/16"
<b>Drain Hole</b>	with, D 1 -11/16"
<b>Water Depth</b>	3- 1/2"
<b>Bowl</b>	14- 3/8" width, 9-13/16" depth
<b>Color:</b>	Solid White / White on White



## Dimensions



Tolerance		
	+	-
Length	1/16"	1/4"
Width	1/16"	1/4"
Thickness	1/16"	1/16"

## Warranty & Compliances

<b>Warranty</b>	5 Year Limited Warranty
<b>Uniform Plumbing Code</b>	Compliant
<b>National Plumbing code of Canada</b>	Compliant
<b>International Plumbing code</b>	Compliant
<b>CSA B45.5-11/IAPMO Z124-2011</b>	Compliant



## Order Codes & Finishes/Colors

	<b>Sleeve Pack</b>
<b>Solid White</b>	522102
<b>White on white</b>	522045

<b>Type:</b> <b>Job:</b> <b>Order Code:</b> <b>Approvals:</b>
--