

U19 All Refrigerator and All Freezer Trim Kit Installation 84"

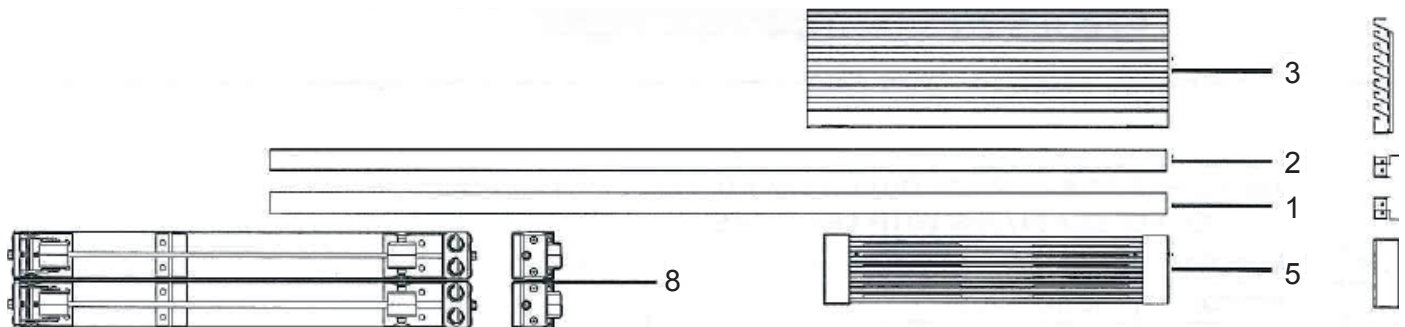
Product Line: U19 All Refrigerator and All Freezer Models

Models: EI32AR65JS E32AR75JPS E32AR85PQS EI32AR80QS
 EI32AF65JS E32AF75JPS E32AF85PQS EI32AF80QS

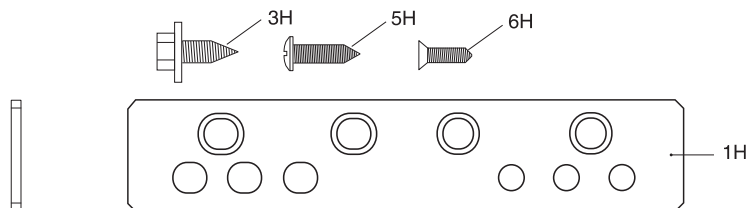
Serial Number Range: All Serial number ranges

Parts Included in Single Trim Kit ECP8436SS

ECP8436SS TRIM KIT 201SS U19 84" X 36"				SERVICE PART
ITEM	PART NUMBER	DESCRIPTION	QTY	YES/NO
1	297393200	Trim Side RH U19 201SS 8436	1	YES
2	297393201	Trim Side LH U19 201SS 8436	1	YES
3	297393300	Grille 201SS louvered single 8436	1	YES
4	297336900	Center trim U19	1	YES
5	297393500	Kick Plate U19 Single tall 8436	1	YES
6	-----	Carton (Packaging)	1	NO
7	297390802	Hardware Pack Single U19 201SS 8436	1	YES
8	297276900	Leveler Assembly Support System	2	YES



297390803 HARDWARE PACK SINGLE TRIM KIT U19 MODEL NO. ECP8436SS WITH LEVELERS			
ITEM	PART NUMBER	DESCRIPTION	QTY
1H	297333900	Tie-Bar Hinge	1
3H	297236250	Screw HWD 1/4 -20 X .63	8
5H	216036601	Screw RWHD #8 - 32 X .50 Extruding	6
6H	216050507	Screw RWHD #10 - 32 X 3/16 Drilling	16
7H	297357400	Installation Instructions U19 SS Trim Kit	1

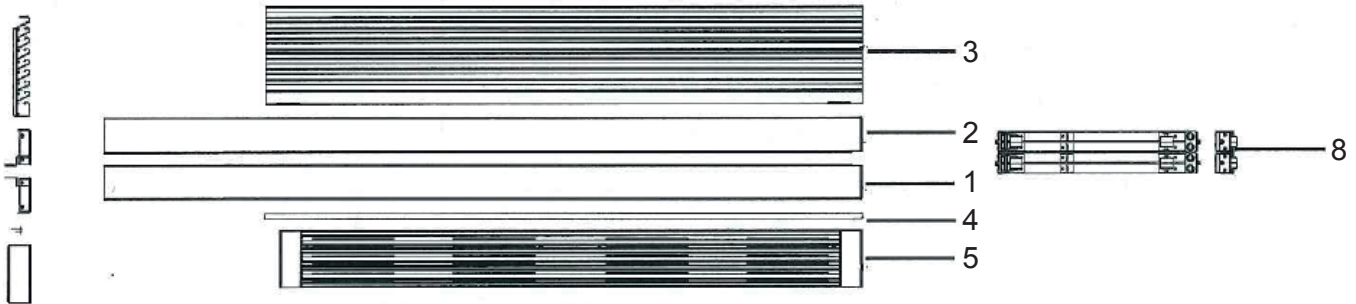


NOTE: All Hardware Pack components mentioned throughout this instruction sheet will have an "H" after the item number.

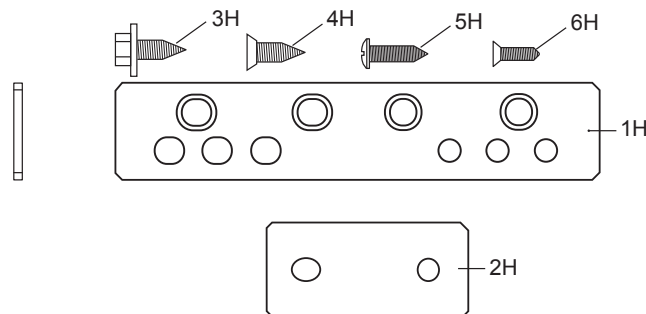
Hardware Pack 297390802

Parts Included in Dual Trim Kit ECP8472SS

ECP8472SS TRIM KIT 201SS U19 84" X 72"				SERVICE PART
ITEM	PART NUMBER	DESCRIPTION	QTY	YES/NO
1	297369400	Trim Side RH U19 201SS 8472	1	YES
2	297369401	Trim Side LH U19 201SS 8472	1	YES
3	297369500	Grille 201SS Louvered Dual 8472	1	YES
4	297336900	Center Trim U19	1	YES
5	297369100	Kick Plate U19 Dual Short 8472	1	YES
6	-----	Carton (Packaging)	1	NO
7	297390800	Hardware Pack Dual U19 201SS	1	YES
8	297276900	Leveler Assembly Support System		YES

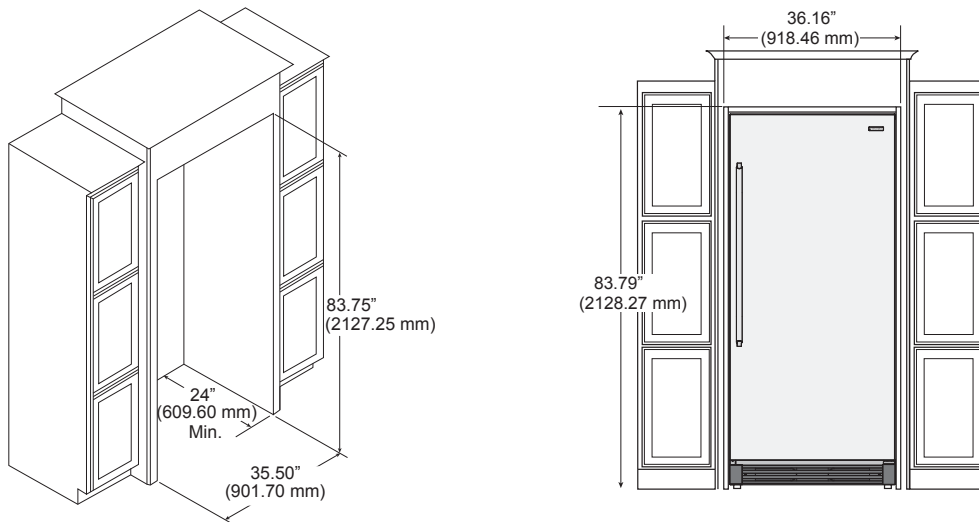
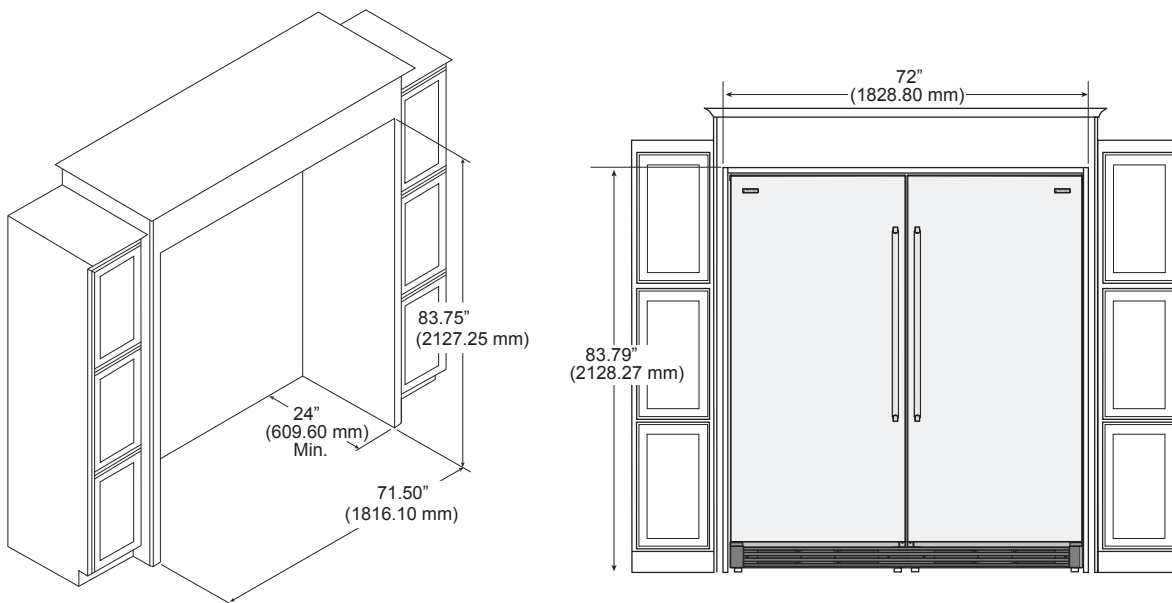


297390800 HARDWARE PACK DUAL TRIM KIT U19 MODEL NO. ECP8472SS WITH LEVELERS			
ITEM	PART NUMBER	DESCRIPTION	QTY
1H	297333900	Tie-Bar Hinge	2
2H	297333901	Tie-Bar Compressor Rail	1
3H	297236250	Screw HWD ¼ -20 X .63	6
4H	297337000	Screw FH ¼ - 20 X .63	4
5H	216036601	Screw RWHD #8 - 32 X .50 Extruding	6
6H	216050507	Screw RWHD #10 - 32 X 9/16 Drilling	16
7H	297357400	Installation Instructions U19 SS Trim Kit	1



NOTE: All Hardware Pack components mentioned throughout this instruction sheet will have an "H" after the item number.

Hardware Pack 297390800

ECP8436SS Trim Kit Dimensions and Cut-Out Sizes

ECP8472SS Trim Kit Dimensions and Cut-Out Sizes


Safety: Always wear safety glasses when using power tools.

Tools Needed:

- Phillips™ Screwdriver
- Flathead Screwdriver
- Safety Glasses
- Adjustable Wrench to fit 1-1/4"
- 3/8" Socket Wrench
- 7/16" Socket Wrench
- Step Ladder
- Tape Measure (min. 7" length)
- Driver

Before You Begin

- Be careful when unpacking components. Do not use sharp objects when removing packaging material. This may scratch the surface of trim components.
- Use extreme care when handling the metal trim pieces. Corners are very sharp and easily damaged if dropped.

Setting Up The Trim And Grill Assembly (Single and Dual Installations)

1. a. Lay the parts out on a cleared area face down. Be sure to place a drop cloth over the floor to prevent scratching trim kit and/or floor. (See Figure 1.)

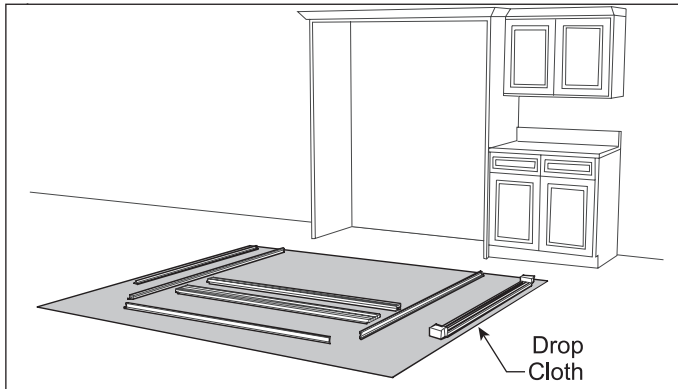


Figure 1

- b. Remove toe grill and save screws for later use.

Leveling System Installation (Single and Dual Installations)

2. a. Lay unit on its back on packing material or a drop cloth to prevent damage.
b. Remove 3 screws from each side and discard. (See Figure 2.)

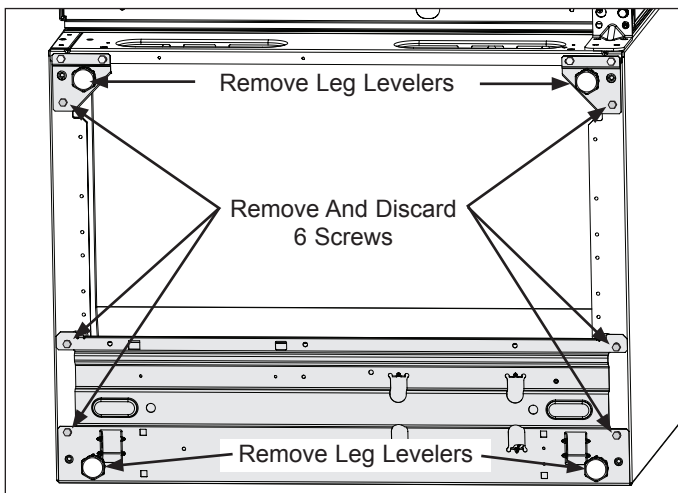


Figure 2

- c. Remove and save both plastic leg levelers to use in the next step.
3. a. Attach the current leg leveler to leveling system. The leg leveler is a common part that will work on both bottom sides of the unit. (See Figure 3.)

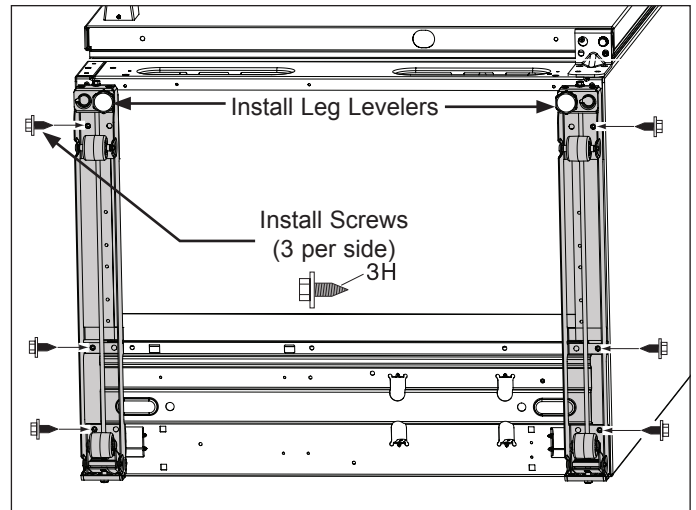


Figure 3

- b. Attach leg leveler with 3 screws per side using a $\frac{3}{8}$ socket.
- c. Reinstall the leg levelers.
- d. In order to provide clearance to access the rear screw hole, adjust the rear roller up out of he way. When finished, lower the rear roller back to its initial position.

Trim Kit Installation (Single Unit Installation)

4. Remove outer screw from top hinge using a $\frac{3}{8}$ " socket driver or wrench and save for later. Install mounting bracket with one screw mounted to inside hole using a $\frac{3}{8}$ " socket. (See Figure 4.)

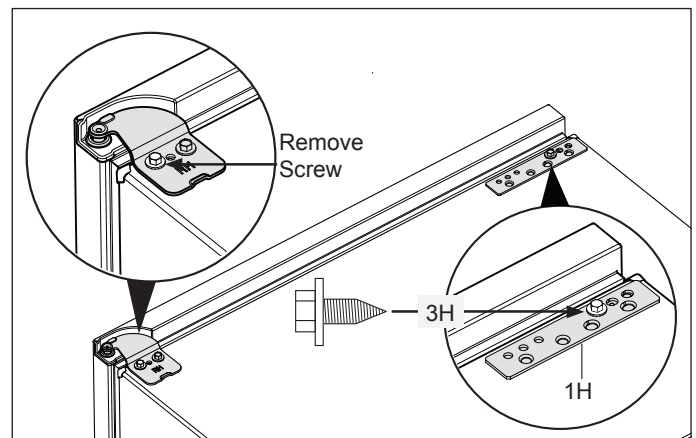


Figure 4

NOTE: Drive two outer screws in place and back out to pre-thread holes for later use and ease of assembly.

**Trim Kit Tie Bar Installation
(Dual Installation Only)**

NOTE: Leveling may be required to line up the holes in steps "a" and "d". (See Leveling Instructions step 14.)

5. a. Tie units together by securing the mounting bracket at the back of the units with a $\frac{3}{8}$ " socket. (See Figure 5).

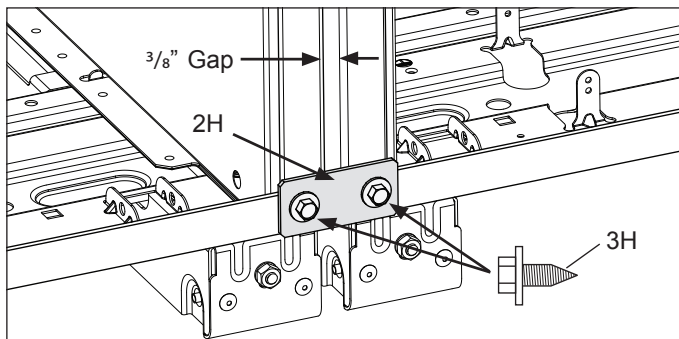


Figure 5

- b. Install center strip to insure the proper $\frac{3}{8}$ " gap is maintained between units. (See Figure 6).

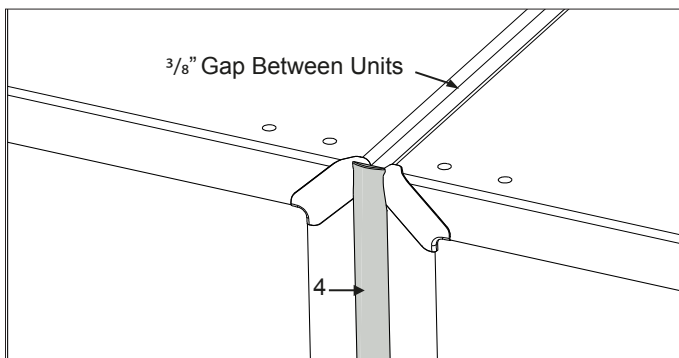


Figure 6

- c. Tie units together with the common mounting bracket at the front top with 2 screws in the inner 2 screw holes by using a $\frac{3}{8}$ " socket. (See Figure 7.)

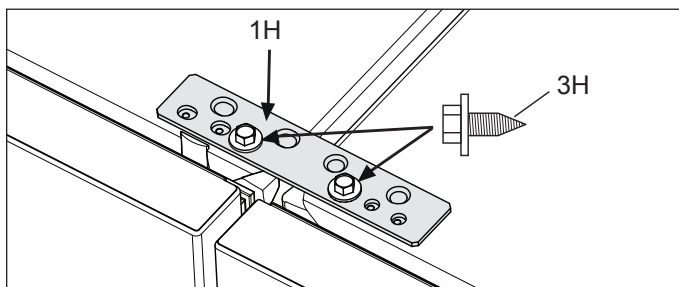


Figure 7

- d. Tie units together with common mounting bracket at the bottom front using #3 Phillips screwdriver. (See Figure 8).

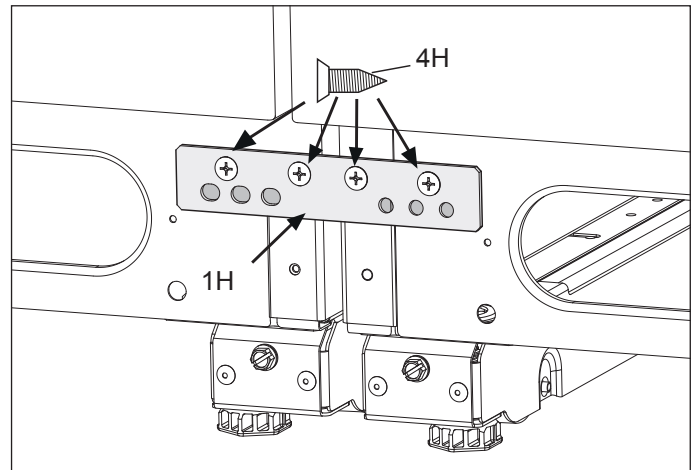


Figure 8

NOTE: Drive two outer screws in place and back out to pre-thread holes for later use and ease of assembly.

**Top Trim Installation
(Single and Dual Installations)**

NOTE: Step ladder required for installing top trim components.

6. a. Remove outer hinge screw common on both sides for a dual installation. (For a single installation this screw is removed in Step 4. Align the top trim and attach with a $\frac{3}{8}$ " socket. Repeat for opposite side. (See Figure 9).

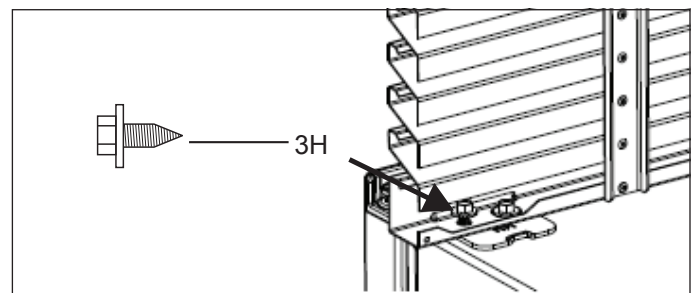


Figure 9

- b. **(Dual installation only)** Install outer screws on common mounting bracket, align top trim and attach with $\frac{3}{8}$ " socket. (See Figure 10).

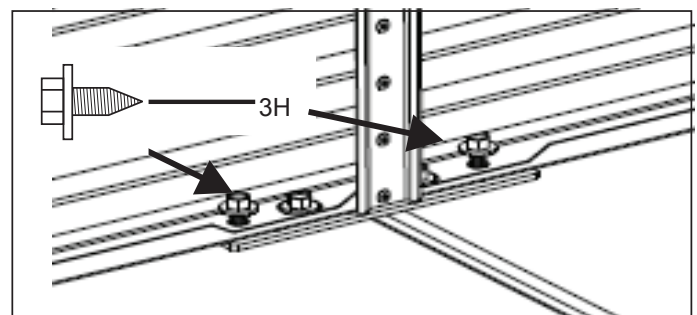


Figure 10

**Trim Kit Side Trim Installation
(Single and Dual Installations)**

7. a. Raise unit(s) until top trim reaches a height of 83.75" from floor and level. (See Figure 11.) (See Leveling Instructions Step 14.)

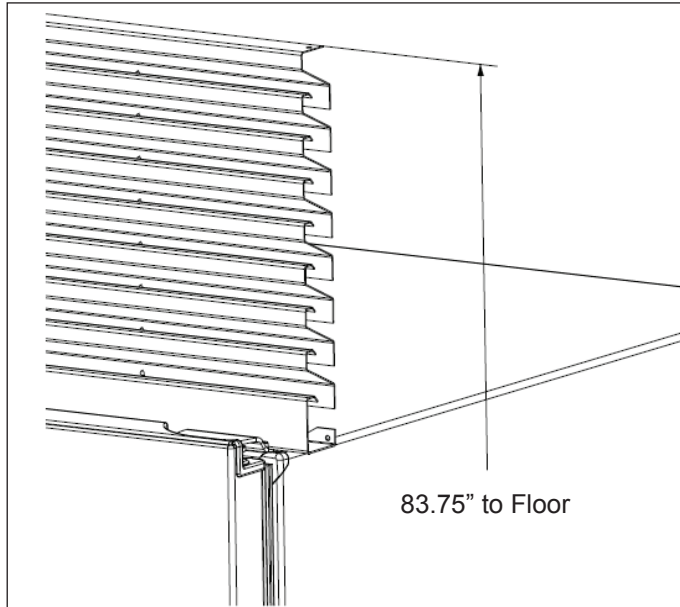


Figure 11

- b. Install RH side trim to top grille and attach with 2 screws using Phillips driver. (See Figure 12.)

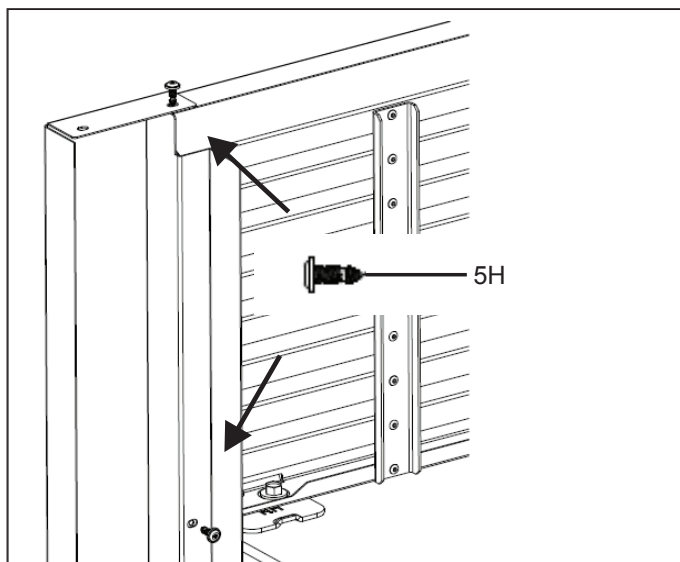


Figure 12

- c. Align side trim so it is parallel to front shell flange and attach side trim to outer shell with 8 self-drilling screws with Phillips driver. (See Figures 13a & 13b.)

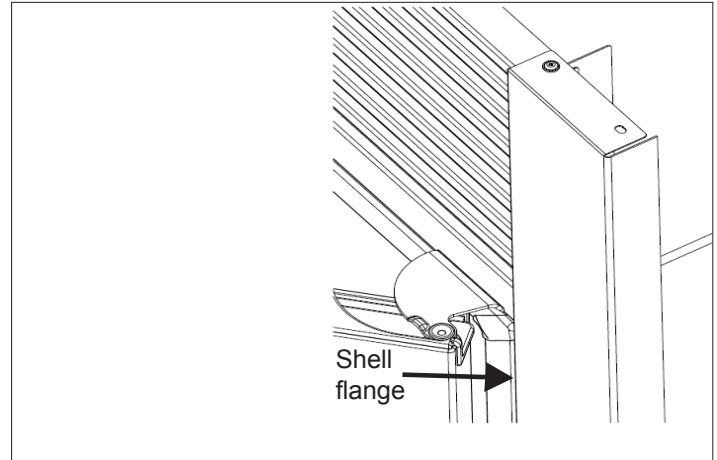


Figure 13a

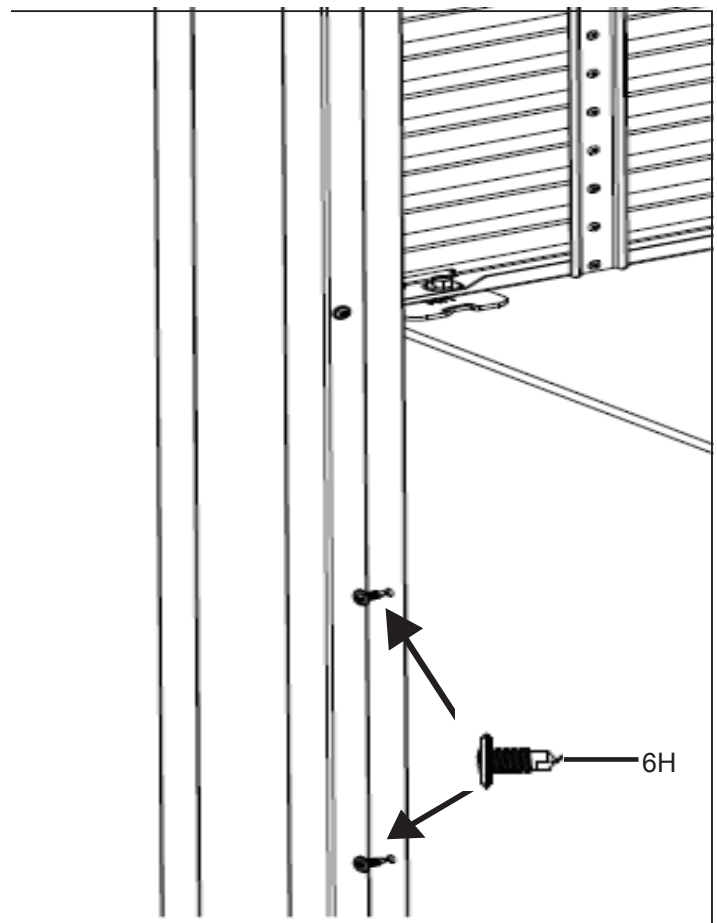


Figure 13b

- d. Repeat steps 7b & 7c for LH side trim.

For Permanent Trim Kit Installation to Kitchen Cabinets and Stabilization

12. a. Add 1" X 2" X 4" long wood blocks to each inside upper corner of kitchen cabinets. (Fasteners or blocks not included.) (See Figure 14.)

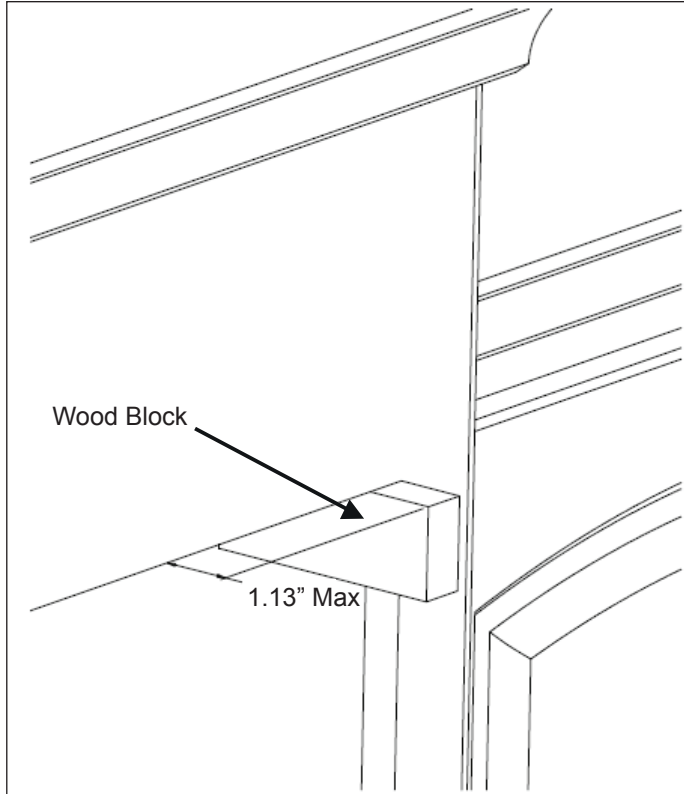


Figure 14

13. Level units and trim to be flush with kitchen cabinets. Attach trim kit to wood blocks using Phillips screwdriver (one per side). (See Figure 15 & Leveling Instructions, Step 14.)

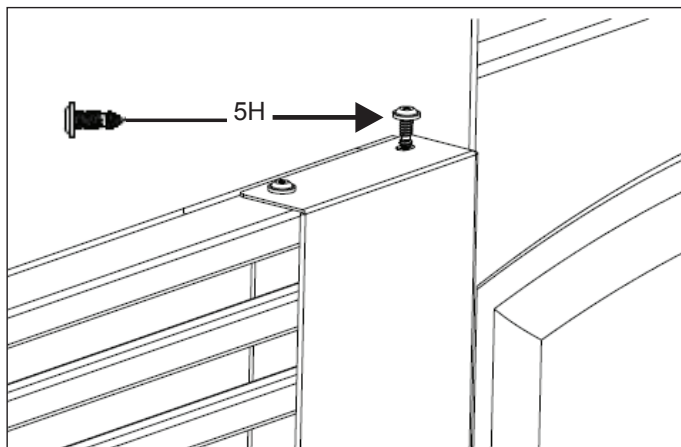


Figure 15

Trim Kit Leveling (Single and Dual Installations)

14. a. To raise front of unit, turn leg leveler to left with adjustable wrench to fit 1.25" hex.
 b. To raise back of unit, adjust bolt clockwise with $\frac{3}{8}$ " socket or flat head screwdriver.

Hinge Adjustment (Single and Dual Installations)

15. a. The bottom hinge is designed to make final minor adjustments for door to door and door to cabinet alignment.
 b. Hinge will move side to side $\frac{3}{32}$ " and raise up $\frac{1}{8}$ ".

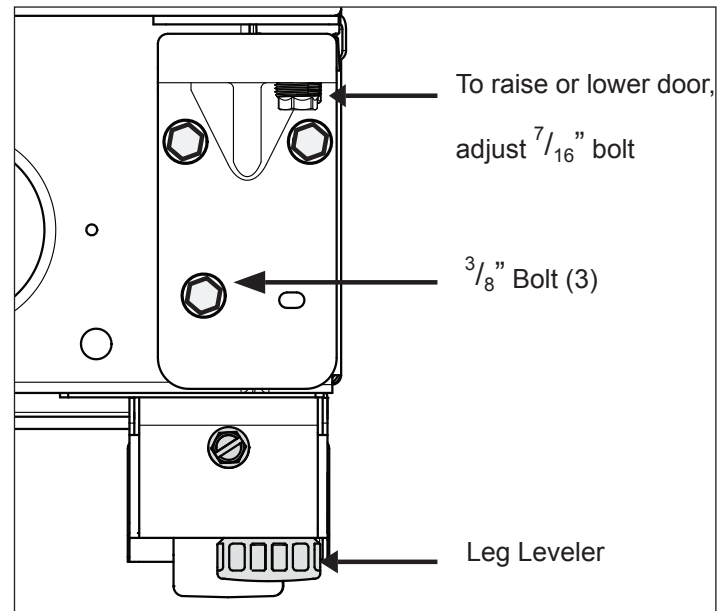


Figure 16

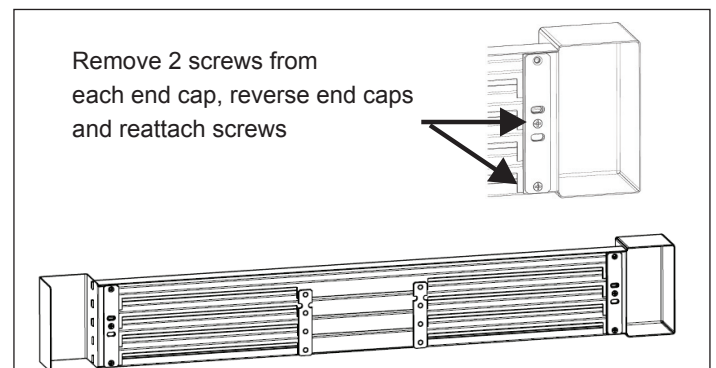
Kick Plate Reversal (Single Installation Only)


Figure 17

**Kick Plate Attachment
(Single and Dual Installations)**

16. a. **(Single Unit)** Attach the kick plate to the cabinet with 2 screws. (See Figure 18.)

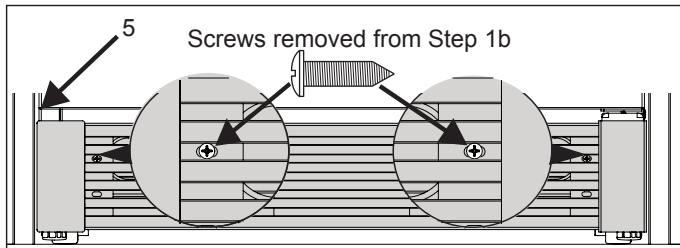


Figure 18

- b. **(Dual Unit)** Attach the kick plate to the cabinet with 4 screws. (See Figure 19.)

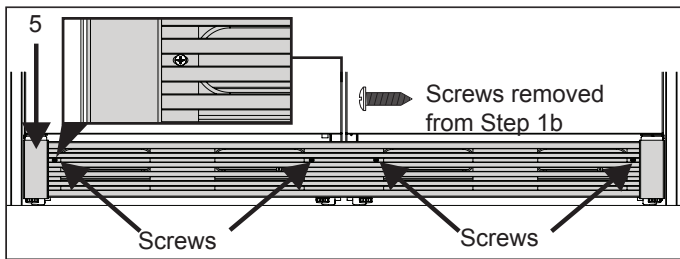


Figure 19