



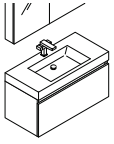
FVN8010

MEZZO

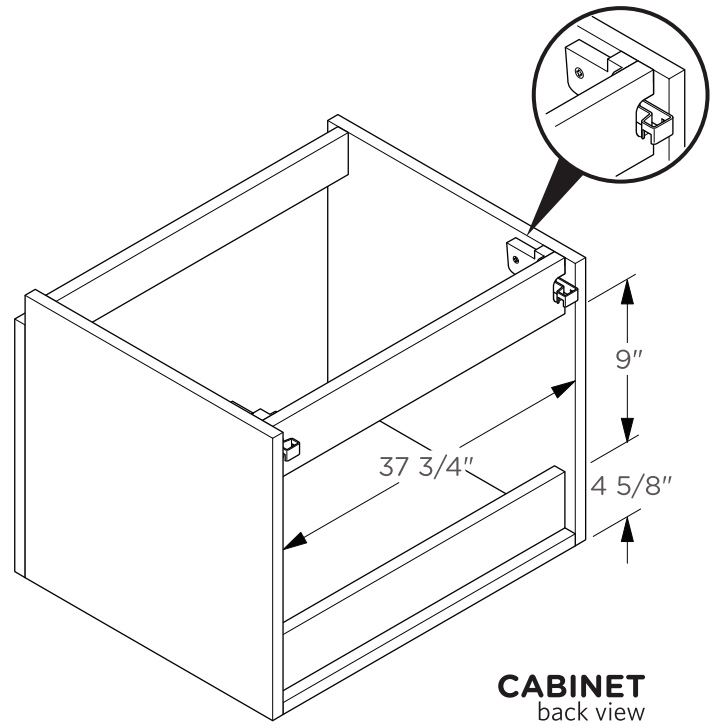
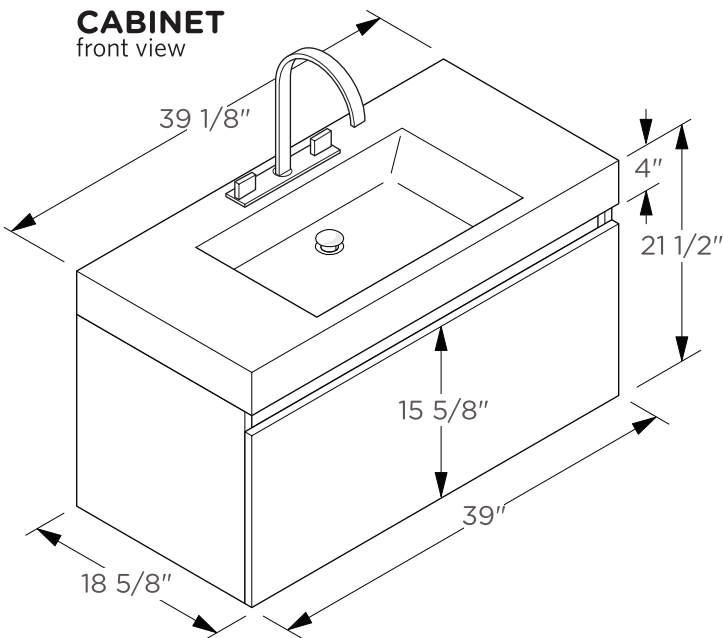
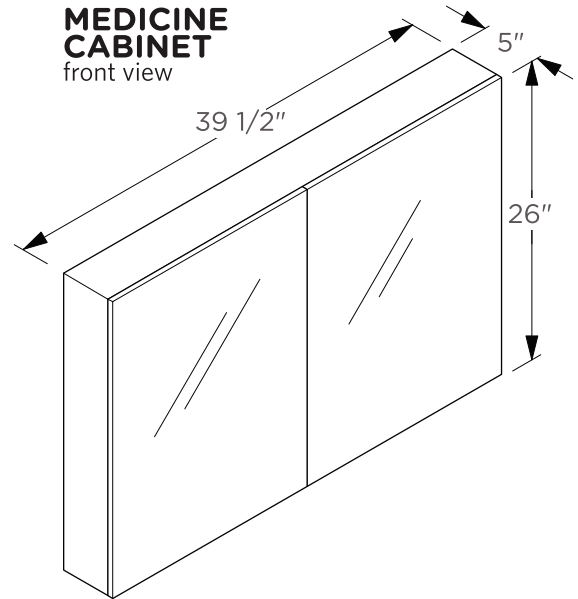
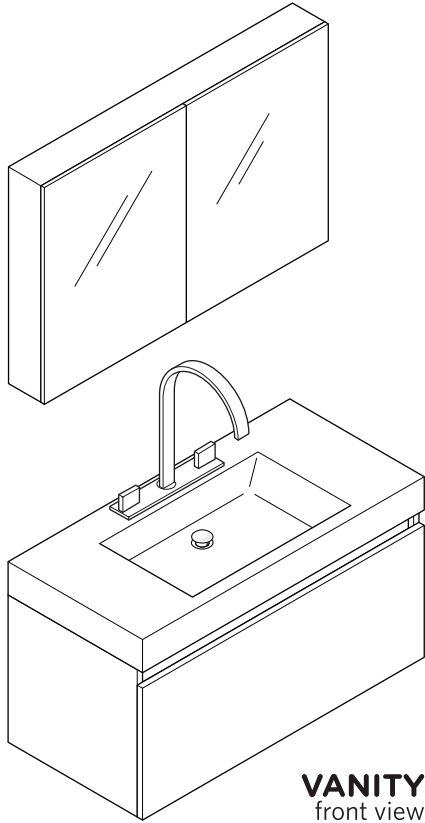
INSTALLATION GUIDE

CONTENTS:

Cabinet.....(FCB8010).....	PAGE 3
Sink.....(FVS8010).....	PAGE 3
Medicine Cabinet (FMC8010).....	PAGE 4

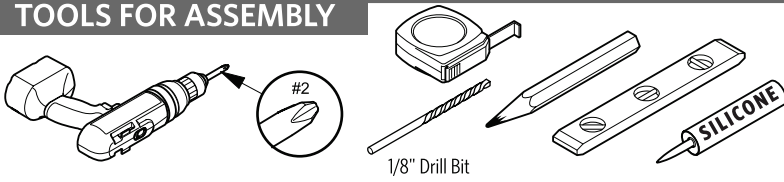


FVN8010
MEZZO
INSTALLATION GUIDE

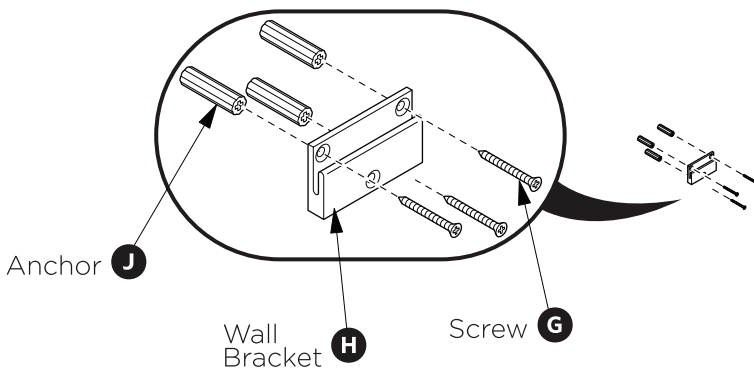
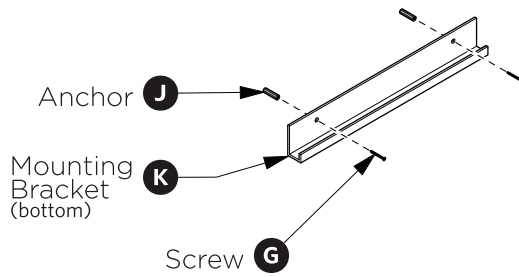
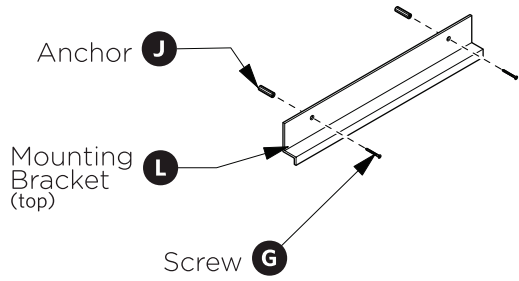
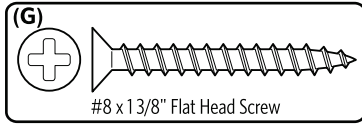
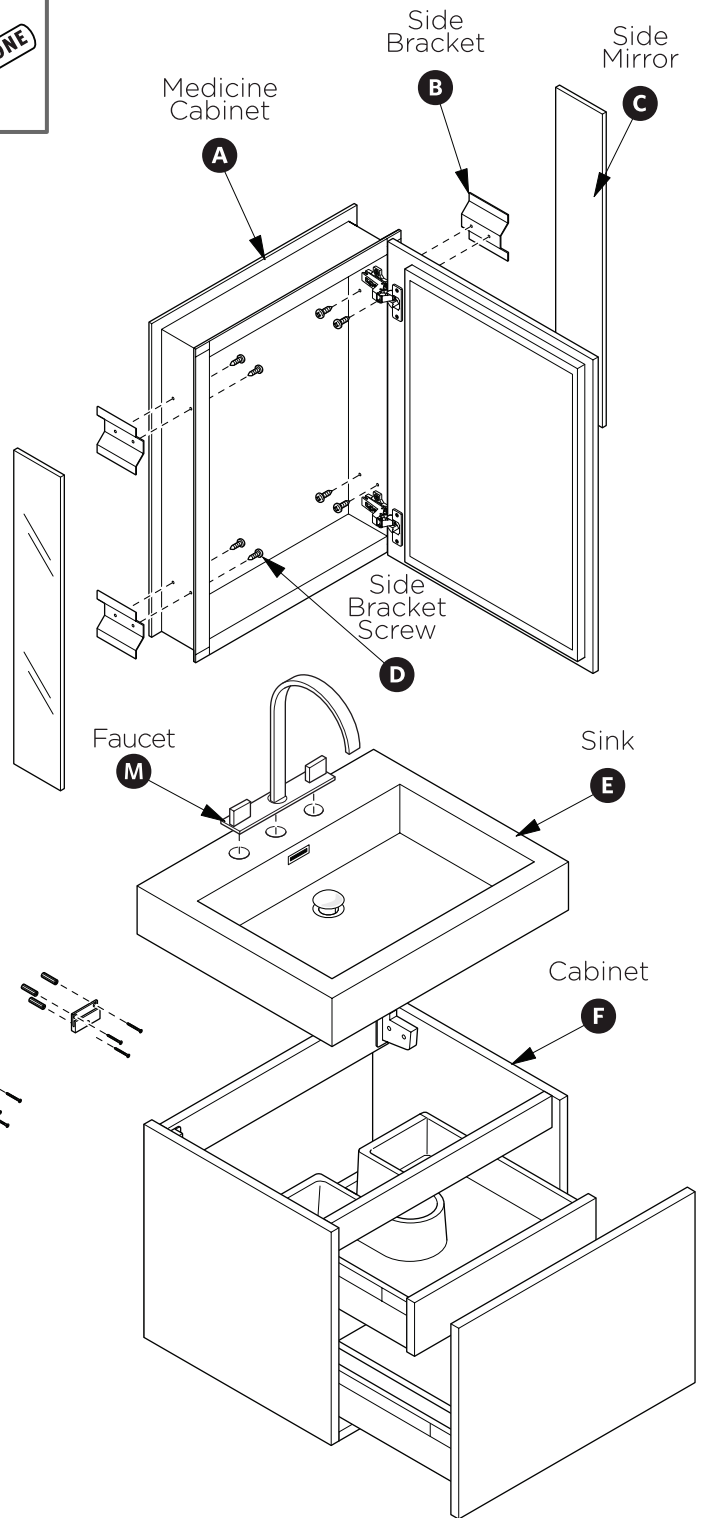


NOTE: ALL DIMENSIONS & SPECIFICATIONS ARE APPROXIMATE AND SUBJECT TO CHANGE WITHOUT NOTICE.

TOOLS FOR ASSEMBLY



PARTS

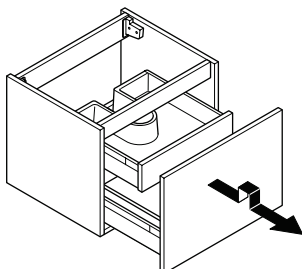


Note: Only use anchors (J) if stud (2"x4" frame) is not available.

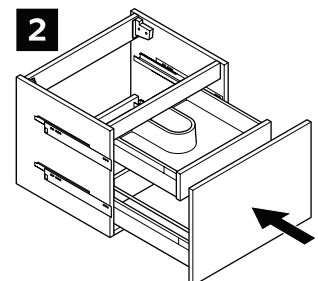
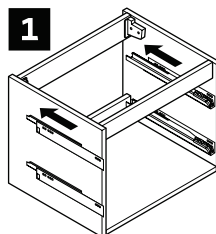


DRAWER REMOVAL & INSTALLATION

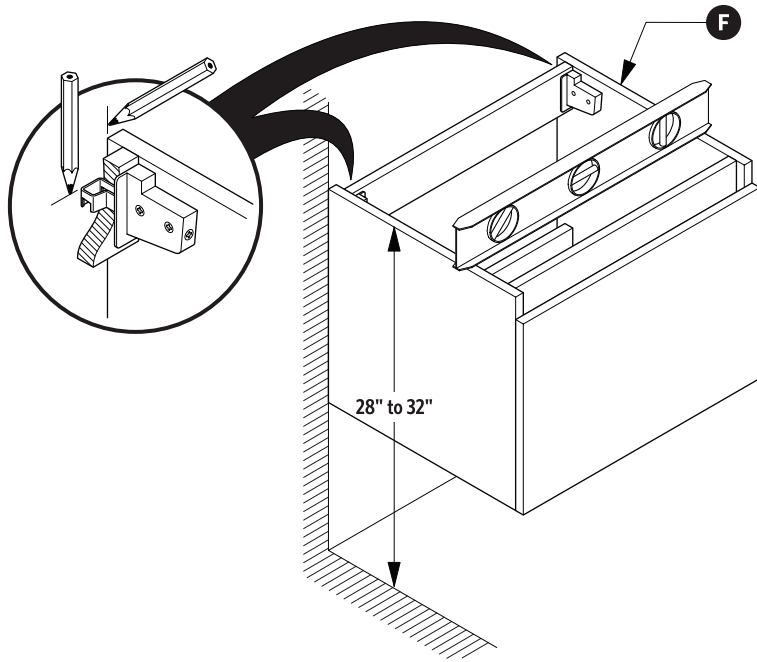
REMOVAL



INSTALLATION

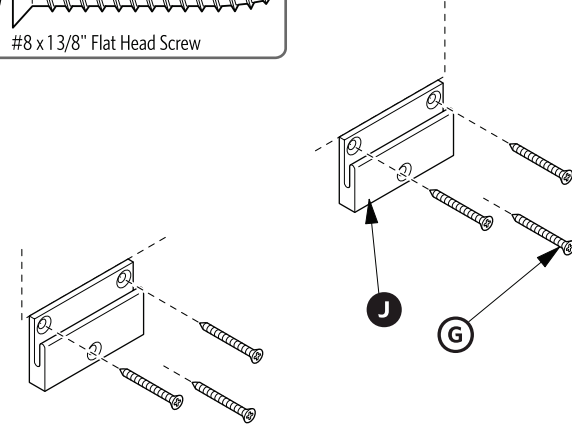
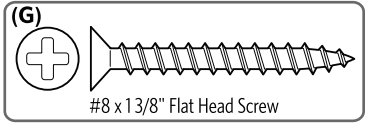


1. Locate cabinet (F) & mark location



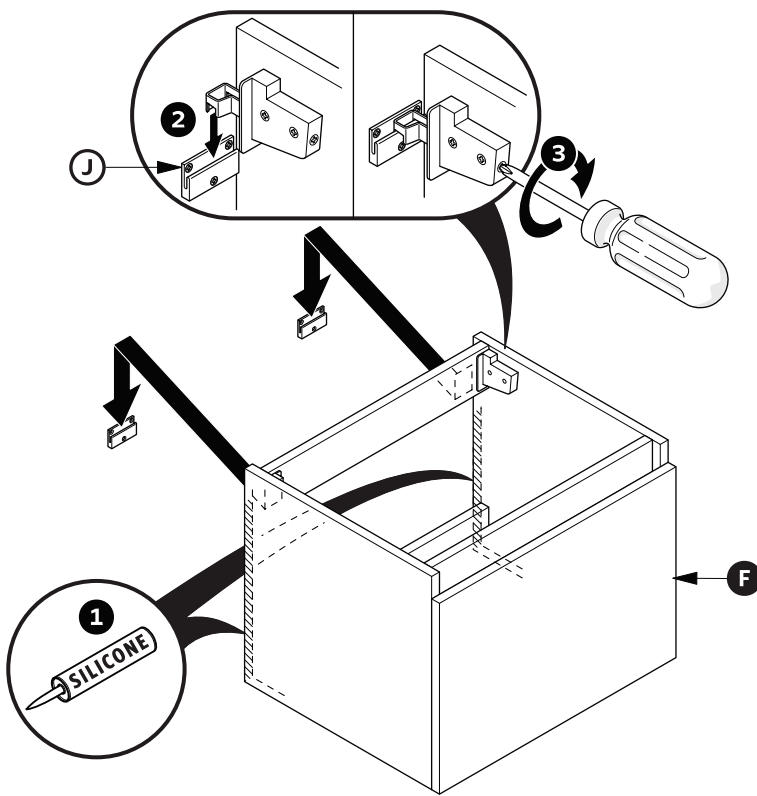
2. Install wall brackets (J)

NOTE: Consult an expert for the proper screws/bolts to use when attaching to various constructions. Screws provided do not attach to all wall construction types.

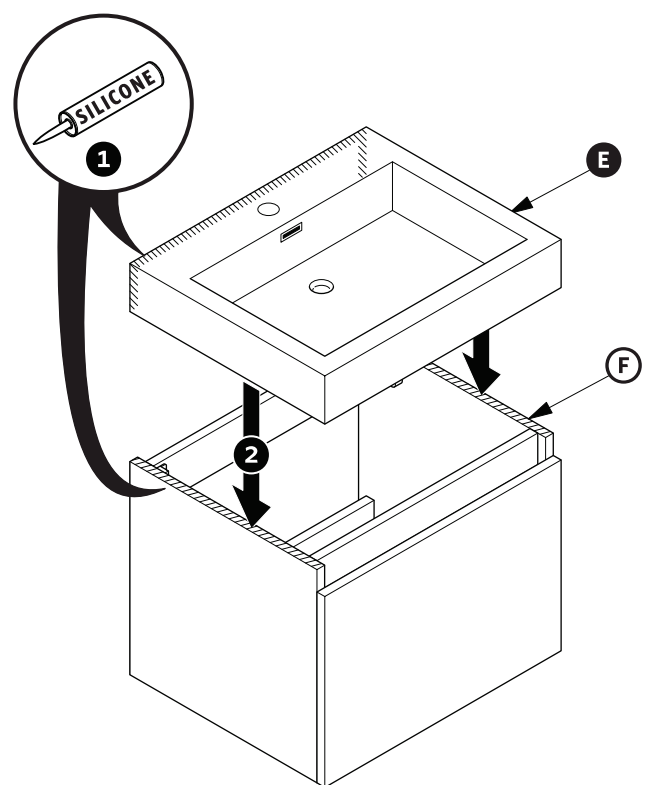


3. Apply silicone & install cabinet (F)

! If necessary remove drawers to access the connection mechanism.

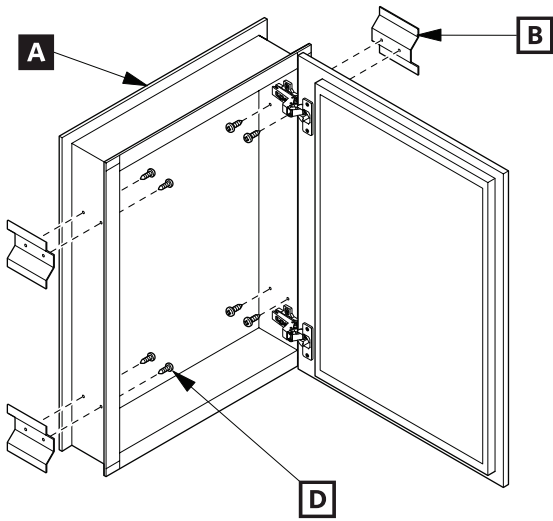


4. Apply silicone & install sink (E)

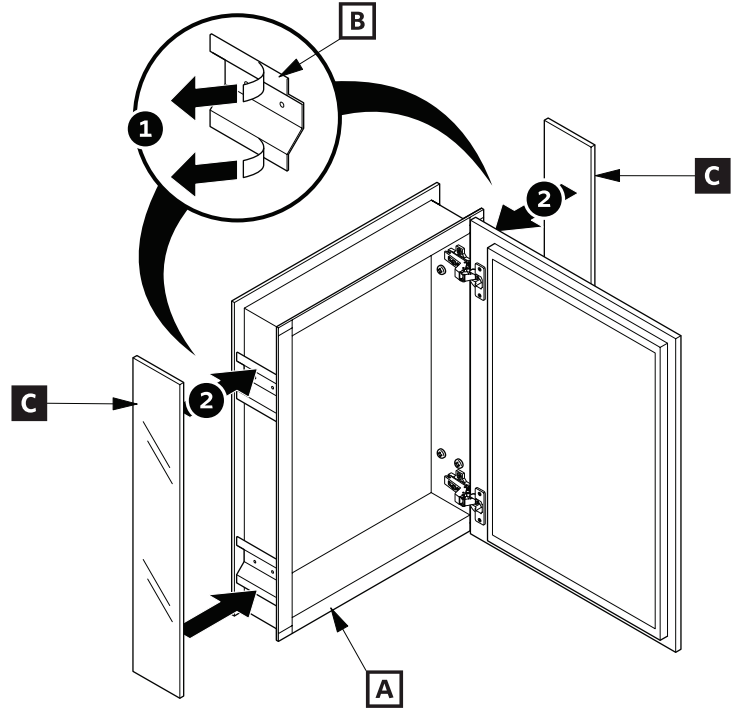


MEDICINE CABINET INSTALLATION

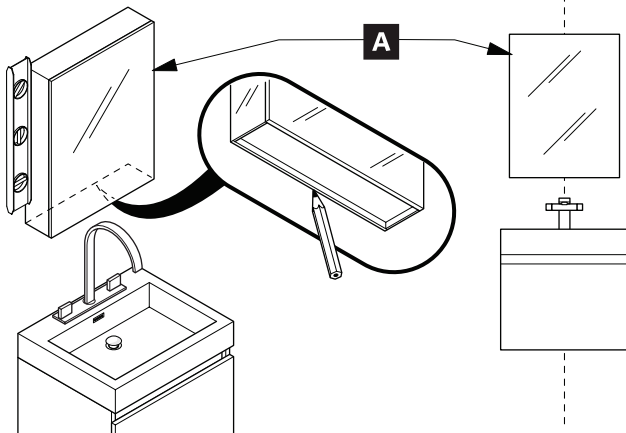
1. Locate cabinet (A) & mark location



2. Install side mirrors (C)

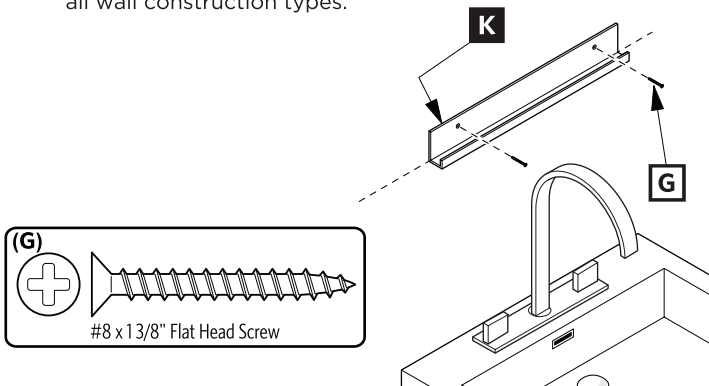


3. Place cabinet (A) to the wall & mark location

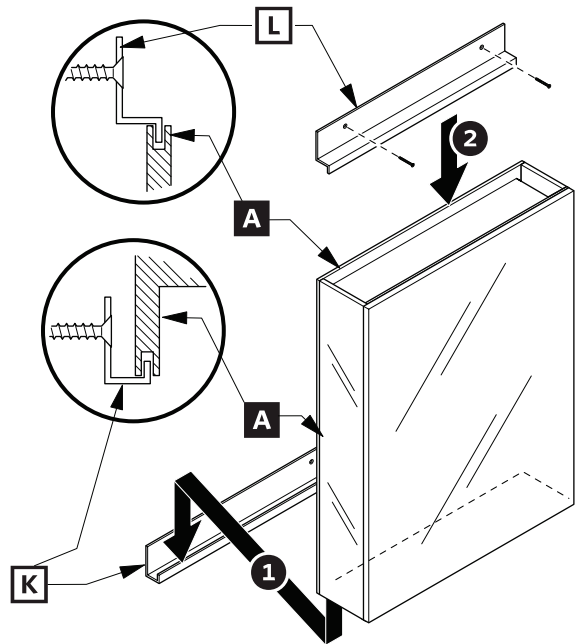


4. Install bottom bracket (K) to the wall

NOTE: Consult an expert for the proper screws/bolts to use when attaching to various constructions. Screws provided **do not** attach to all wall construction types.



5. Place cabinet (A) on the bottom bracket (K) & secure cabinet with a top bracket (L)



WALL

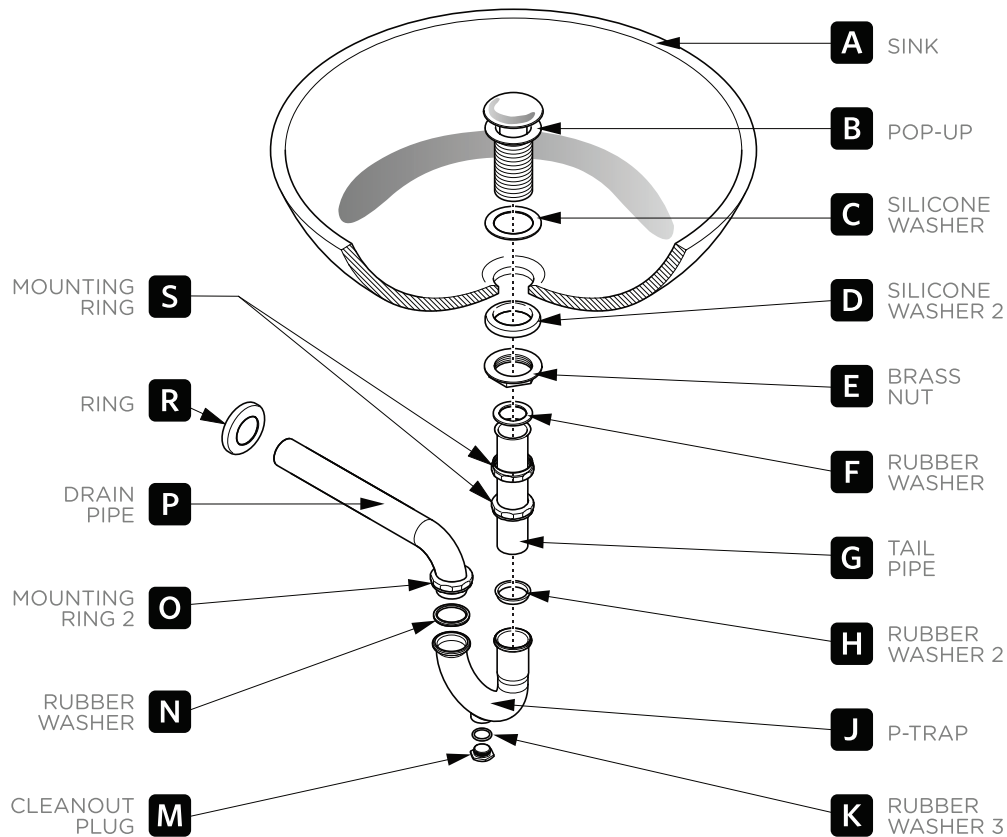
Anchor (J)

Note: Only use anchors (J) if stud (2"x4" frame) is not available.

P-TRAP & POP-UP

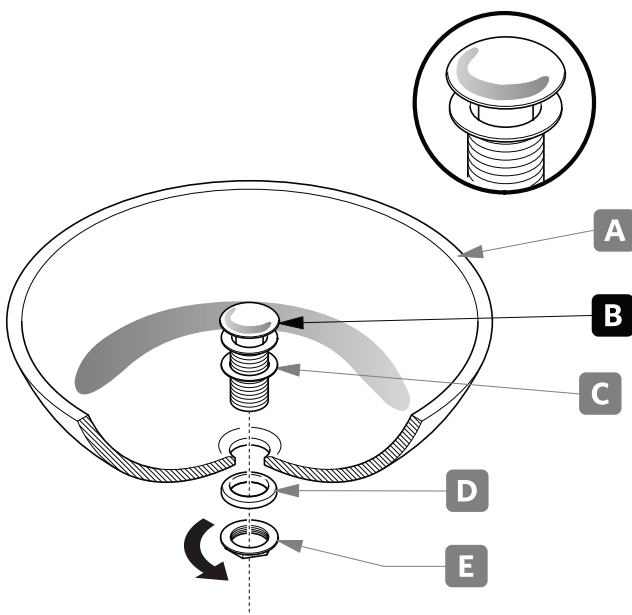
INSTALLATION INSTRUCTIONS

Your item may appear slightly different from the illustration.



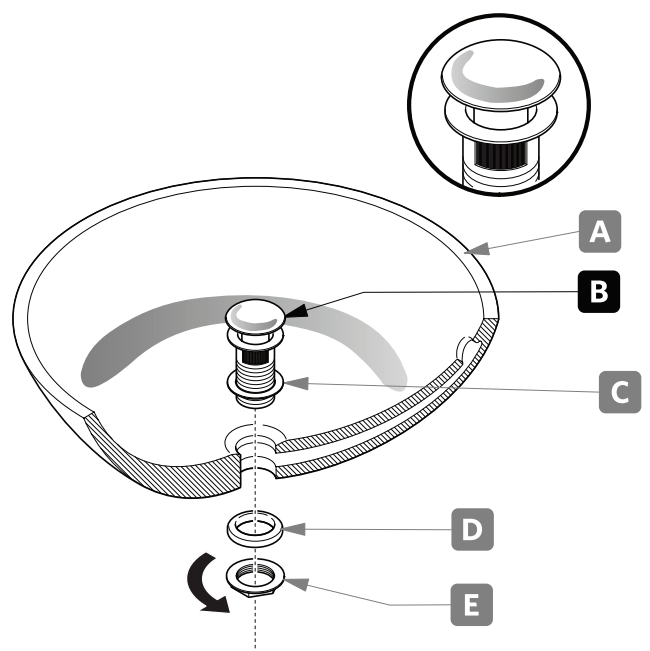
POP-UP INSTALLATION

FOR SINKS WITHOUT OVERFLOW



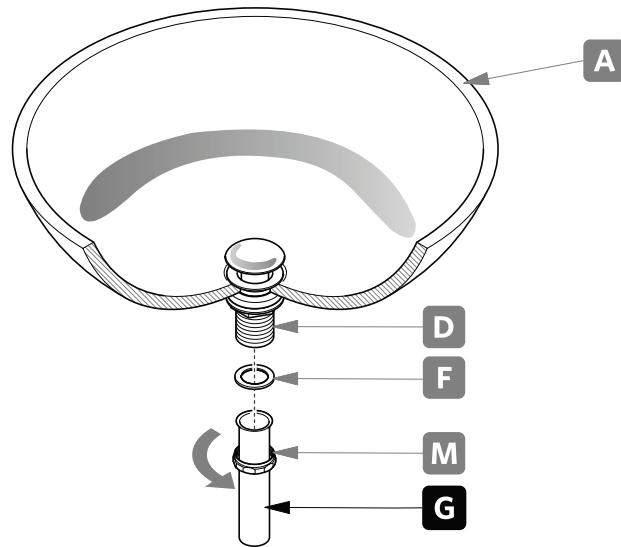
OR

FOR SINKS WITH OVERFLOW



P-TRAP INSTALLATION

1. Install tail pipe **(G)**.



2. Install P-trap **(J)**.

