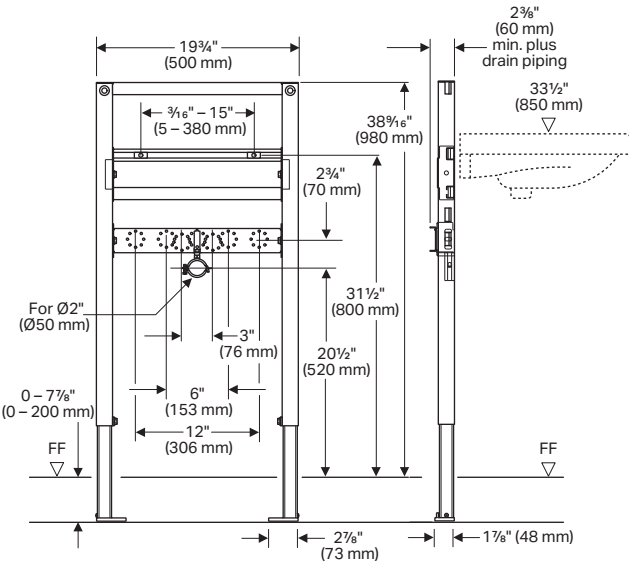


# Geberit Installation System for Wall-Hung Lavatories

Model No.	Description	
111.490.00.1	Geberit Duofix Carrier for wall-hung lavatories.	



**Product Specifications**

In-Wall Duofix carrier system for 2-hole wall-hung sinks. System shall fit within minimum 3" (76 mm) framing wall or plumbing chase, with wood construction or steel framing members placed 19 3/4" (500 mm) apart. Framing members should be capable of supporting a 330 pound (150 kg) load without damage to the wall. The carrier frame shall be adjustable for fixture heights from 31 1/2" (800 mm) to 39 1/2" (1000 mm) and for mounting anchors from 2" (50mm) to 15" (380 mm). All components shall be compliant with applicable codes and product standards.

**Warranty**

Limited lifetime warranty on carrier.

**Features**

- 16-gauge, powder-coated, structural-steel tubing rated to 330 lbs (150 kg) without damage to finished wall or carrier unit
- Fixture rim height adjustments from 31 1/2" (800 mm) to 39 1/2" (1000 mm)
- Frame height: 38 3/8" (979 mm)
- Installation hardware included

**Products marked with comply with the American Disabilities Act (ADA) when installed per the requirements of the latest ADA Accessibility Guidelines (ADAAG) and/or ICC/ANSI A117.1.**

Geberit  
 2100 S. Clearwater Drive  
 Des Plaines, IL 60018  
 USA

P 800-566-2100  
 F 847-803-5454

→ [geberit.us](http://geberit.us)



**ARCHITECT/ENGINEER APPROVAL**

Job Name \_\_\_\_\_

\_\_\_\_\_

Date \_\_\_\_\_ Quantity \_\_\_\_\_

Model Specified \_\_\_\_\_

Variations Specified \_\_\_\_\_

\_\_\_\_\_

Customer/Wholesaler \_\_\_\_\_

\_\_\_\_\_

Contractor \_\_\_\_\_

\_\_\_\_\_

Architect \_\_\_\_\_

\_\_\_\_\_