

**Interaktiv S**  
06429XX0

**hansgrohe**

# Interaktiv S Shower Panel III

06429XX0

## Technical Specification

Minimum incoming water pressure	22 psi
Maximum incoming water pressure	145 psi
Recommended incoming water pressure	30 - 75 psi
Maximum incoming hot water temp.	158°F*
Recommended incoming hot water temp.	120°F - 140°F*
Safety stop	100°F
Flow rate @ 45 psi	
handshower	2.5 gpm
bodysprays	3 gpm
handshower + bodysprays	4.5 gpm

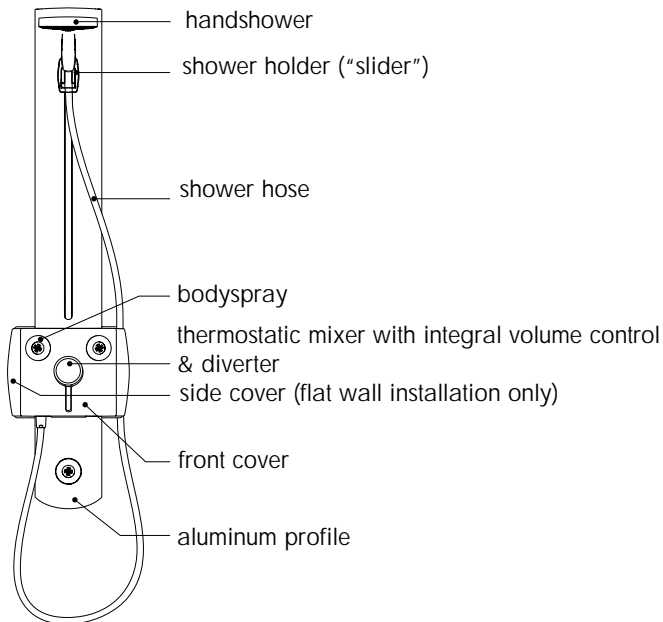
Requires 1/2" male threaded nipples for the hot and cold water supplies

Minimum ceiling height 82 5/8"

The maximum high output temperature may be reset to comply with local plumbing codes. See page 14.

Protection against back siphonage is provided by a check valve. See page 17.

\*know and follow all applicable local plumbing codes when setting the temperature on the water heater



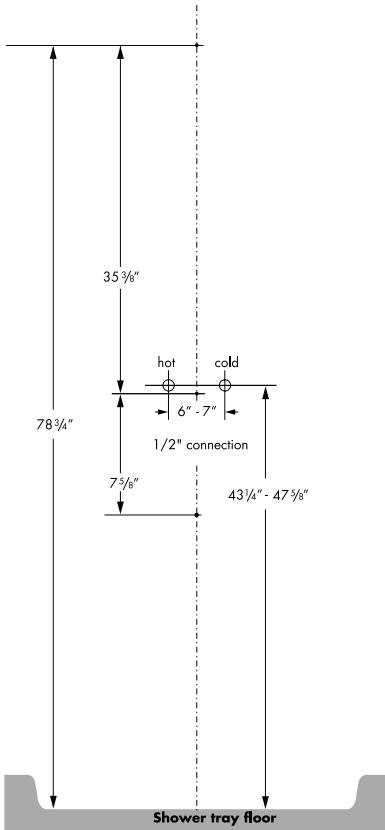
## Roughing-in

The Interaktiv S shower panel requires 1/2" male threaded hot and cold supply nipples. The nipples must extend 5/8" outside the surface of the finished wall.

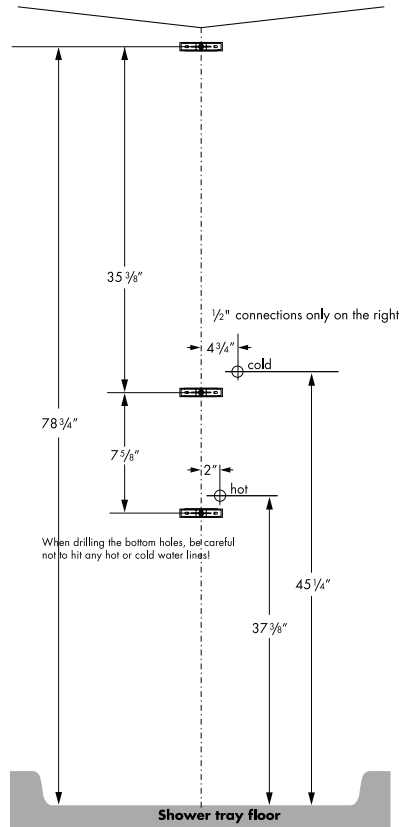
After the rough plumbing is complete, the wall must be finished and made waterproof. The installer will mount the panel to the finished wall.

If the panel is to be mounted in a 90° corner, the hot and cold supplies must be installed on the **right** wall.

**The dimensions shown are ideal for persons approximately 6' in height. The panel may be mounted higher if desired, however, all of the mounting dimensions must be altered. Additionally, the 82 5/8" minimum ceiling height must also be altered.**

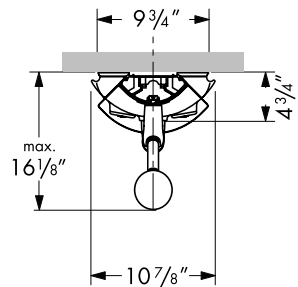
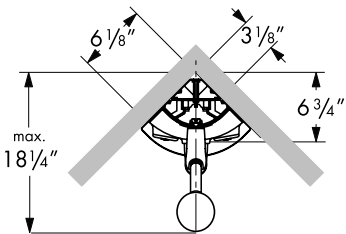
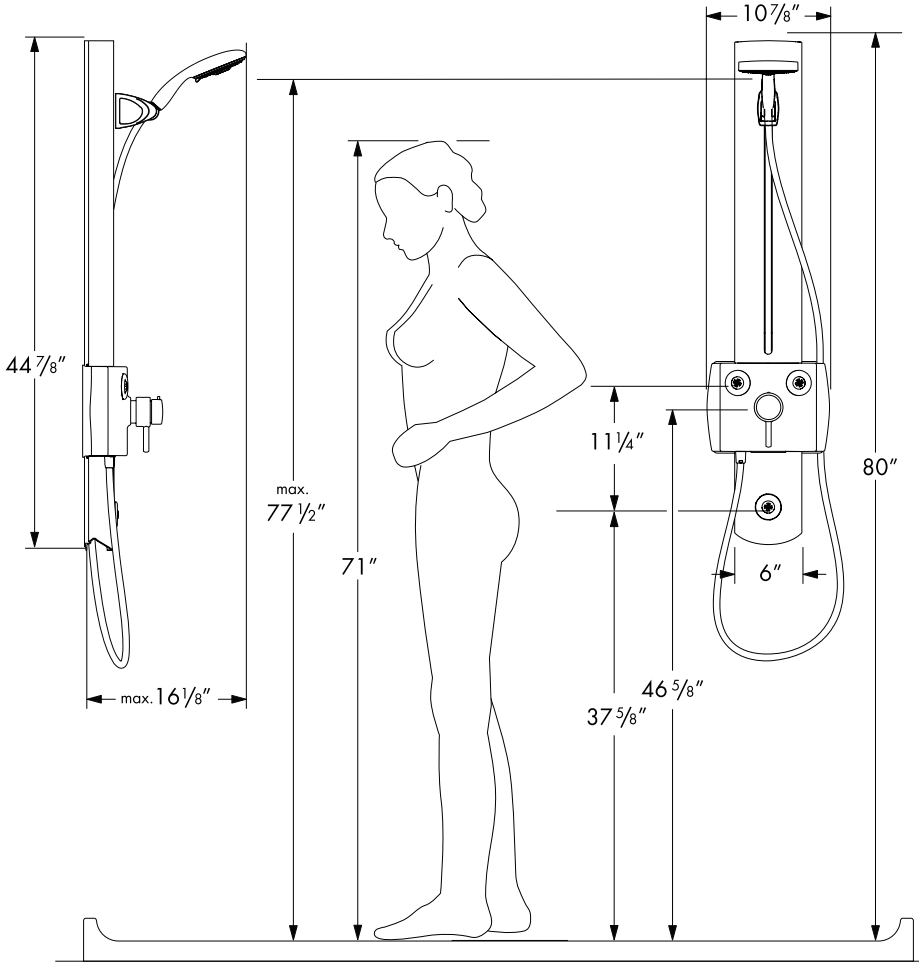


Flat Wall Installation



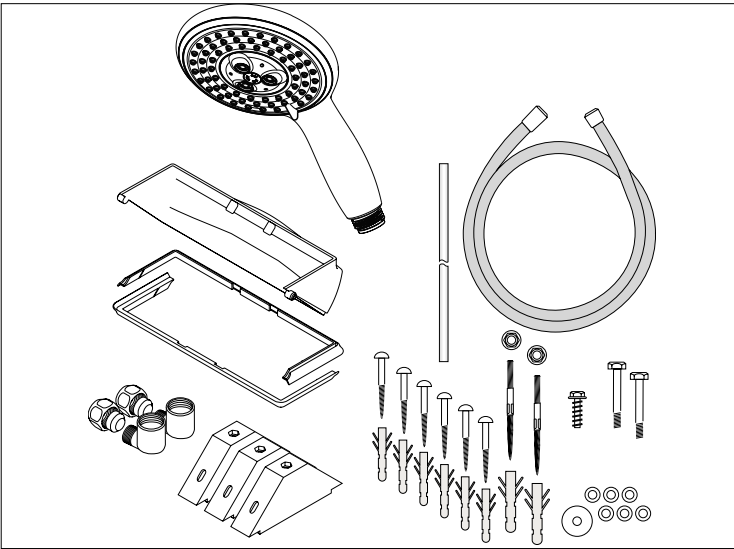
Installation in 90° Corner

# Roughing-in



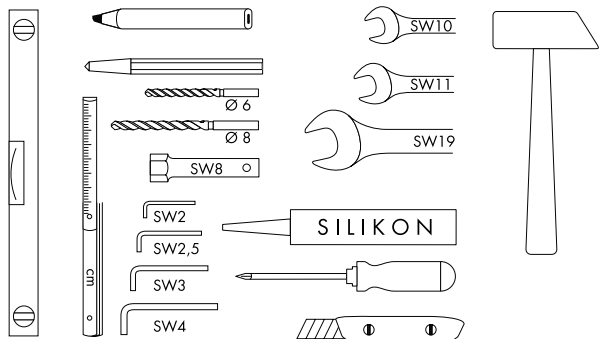
## Package Contents

- handshower
- 63" shower hose
- 2 side covers (for flat wall mount)
- 2 seals
- 2 elbows (1/2" female x 10 mm male) with 2 10 mm compression fittings
- 3 angle brackets (for corner mount)
- 6 recessed head screws w/plugs
- 2 set screws M6 x 50 with plugs and M6 nuts
- 2 hex head cap screws w/nuts M6 / SW10 mm
- 6 small washers 5.4 x 9.7
- 1 large washer 6.5 x 17.8
- corner mount seal (for corner mount)



## Tools Required for Installation (not included)

- level
- ruler
- marking pencil
- 6 mm and 8 mm drill bits
- 2, 2.5, 3, and 4 mm Allen wrenches
- 8, 10, 11, and 19 mm wrenches
- waterproof bathroom sealant
- screwdriver
- knife
- Teflon tape



## Flat Wall Installation

The finished wall must be complete and sealed before the panel can be installed.

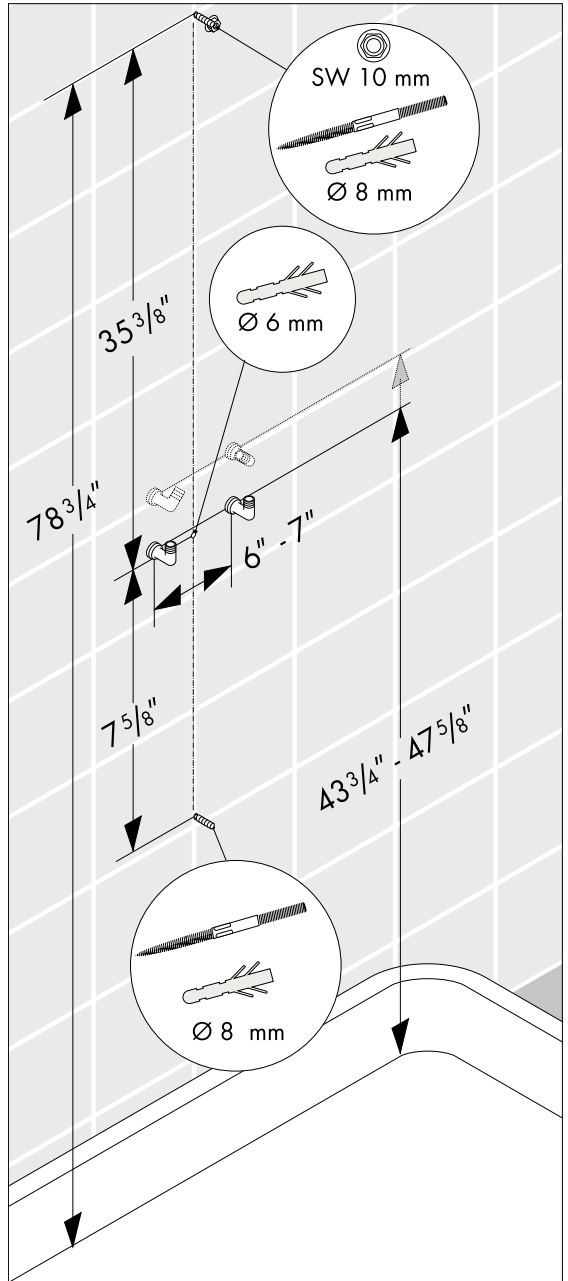
Seal the wall around the hot and cold supply nipples with a waterproof bathroom sealant suitable for the wall surface.

Wrap the threads on the hot and cold supply nipples with Teflon™ thread tape. Screw the elbows to the nipples. If the nipples are located closer to the  $43\frac{3}{4}$ " minimum height, the outlets of the elbows should point upwards. If they are closer to the  $47\frac{5}{8}$ " maximum height, they should angle toward the center.

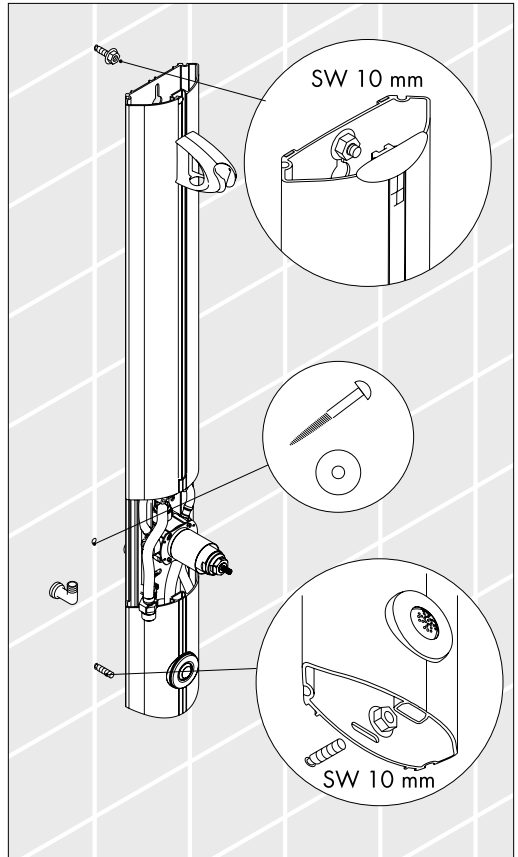
Drill the holes for the top and bottom mounting screws with an 8 mm bit suitable for the wall surface. Drill the hole for the center mounting screw with a 6 mm bit suitable for the wall surface.

Install the anchors. Seal the wall around the anchors with a waterproof bathroom sealant.

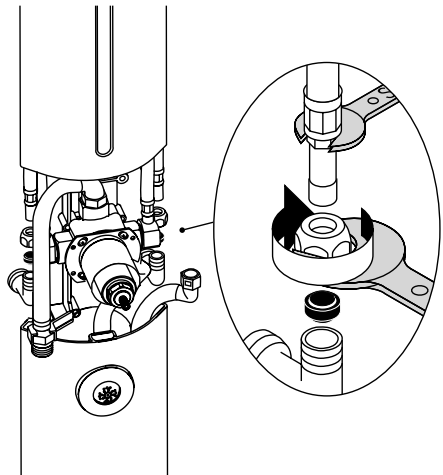
Install the top and bottom mounting screws. Install the nut to the top mounting screw only.



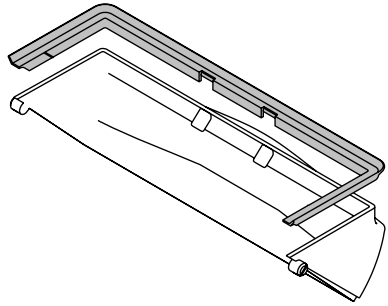
Place the panel over the top and bottom mounting screws. Install the nut to the bottom mounting screw. Install the center mounting screw and large washer. Tighten the nuts.



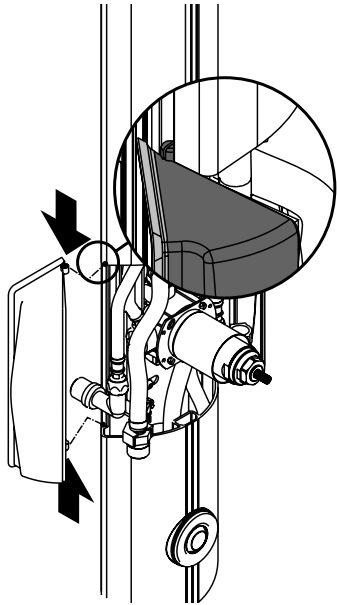
Connect the hot and cold supply hoses to the elbows with the compression nuts and ferrules. Tighten wrench tight.



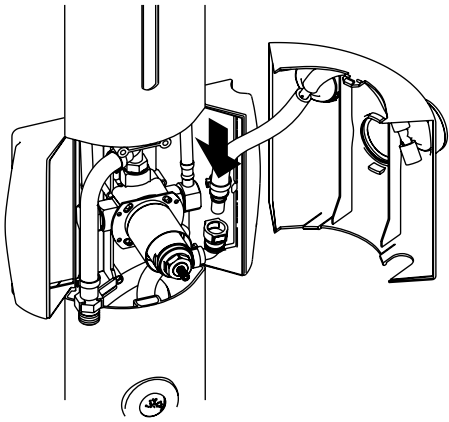
Attach the seals to the side covers.



Attach the side covers to the panel.

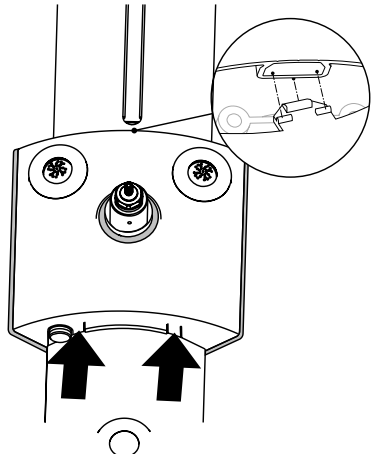


Attach the bodyspray supply hose on the front cover to the port inside the panel.





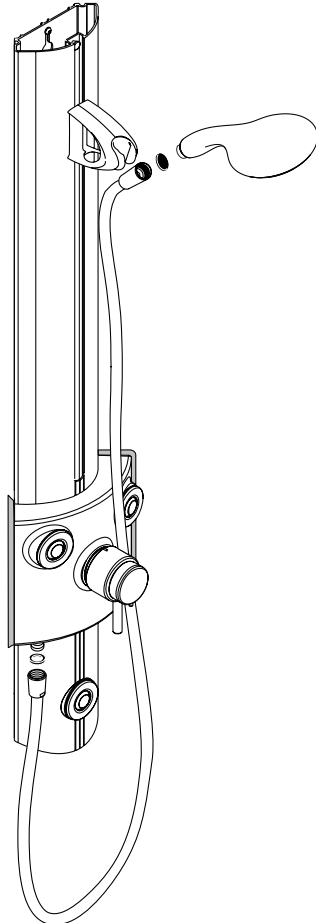
Carefully install the front cover to the panel.  
The sides of the front cover should go over  
the flanged edges of the side covers.



Temporarily install the handle. Tighten the  
handle screw with the 3 mm Allen wrench.

Install the handshower hose and handshower  
to the panel. Seat the handshower in the  
slider.

Set the high temperature limit stop and justify  
the handle (see page 14).



## Corner Installation

The finished wall must be complete and sealed before the panel can be installed.

Seal the wall around the hot and cold supply nipples with a waterproof bathroom sealant suitable for the wall surface.

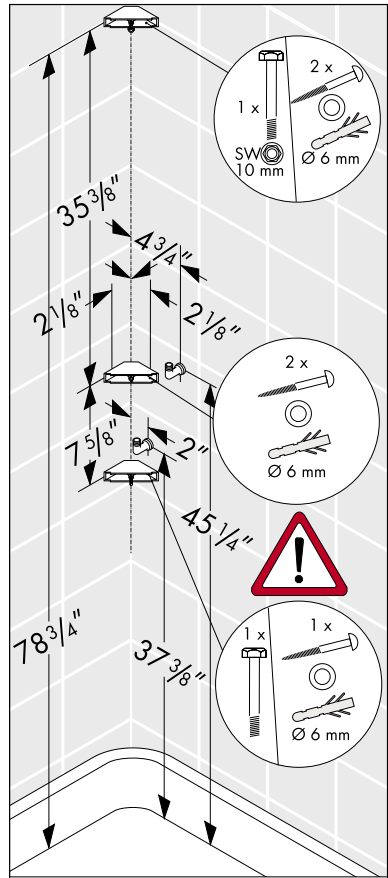
Wrap the threads on the hot and cold supply nipples with Teflon™ thread tape. Screw the elbows to the nipples. The outlets of the elbows should face upwards.

Use a 6 mm bit suitable for the wall surface to drill the 5 holes for the corner mounting bracket screws. **CAUTION:** When drilling the holes, be careful not to drill through any water lines!

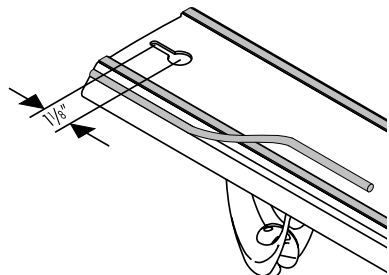
Install the anchors. Seal the wall around the anchors with a waterproof bathroom sealant compatible with the wall surface.

Install the corner mounting brackets with the 5 screws and small washers.

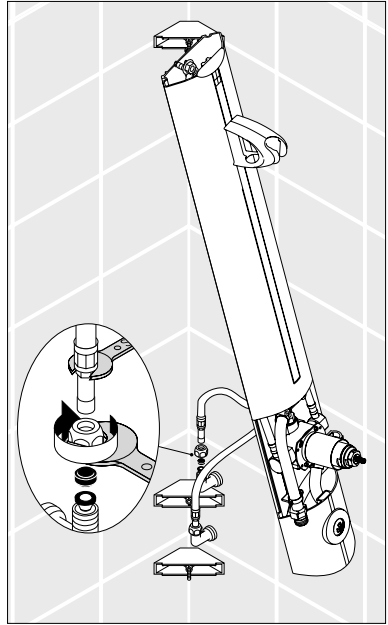
Install the hex-head cap screws to the mounting brackets. Install the nut only to the top screw.



Install the corner mount seal to the groove on the rear of the panel.

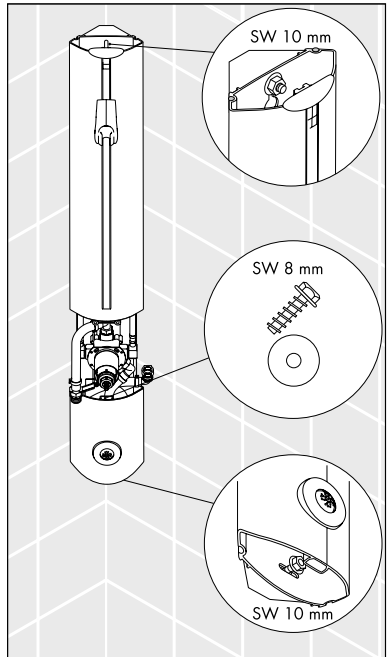


Attach the supply hoses on the panel to the elbows with the compression fittings. Tighten wrench tight.

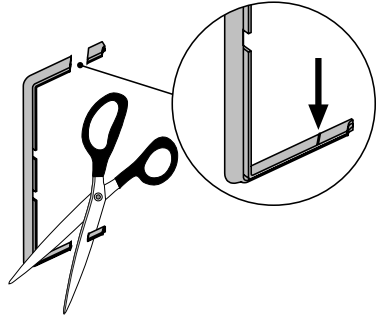


Hang the panel on the mounting brackets. Install and tighten the nut to the bottom mounting screw.

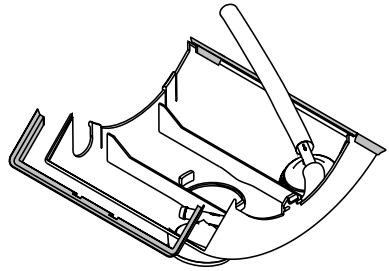
Install the center mounting screw and large washer.



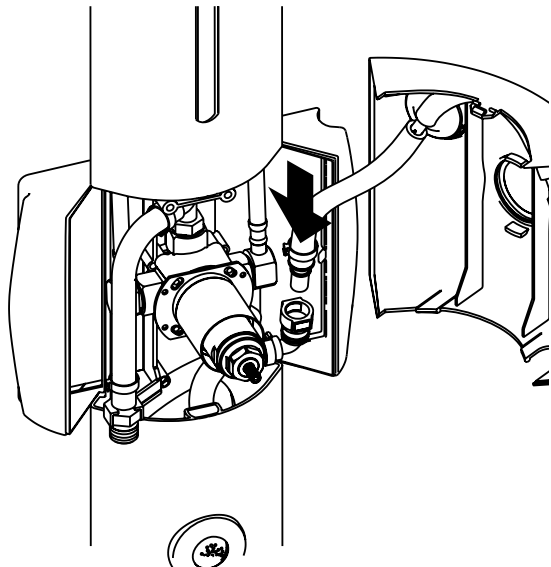
Clip the ends of the side seals.



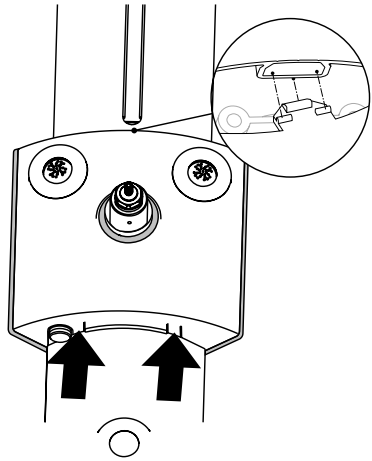
Install the side seals to the sides of the front cover.



Attach the bodyspray supply hose on the front cover to the port inside the panel.



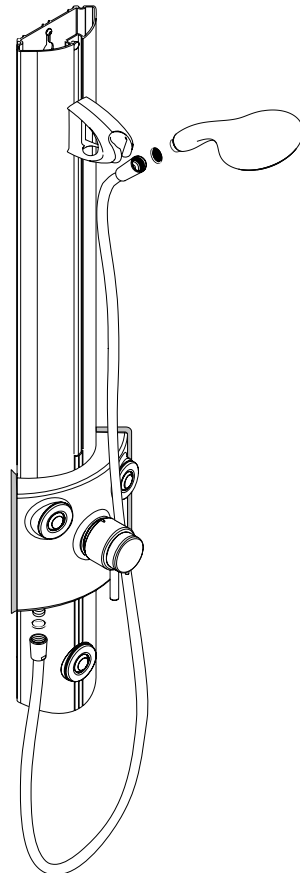
Carefully install the front cover.



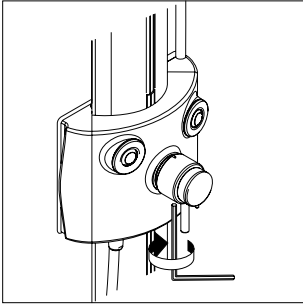
Temporarily install the handle. Tighten the handle screw with the 3 mm Allen wrench.

Install the handshower hose and handshower. Seat the handshower in the slider.

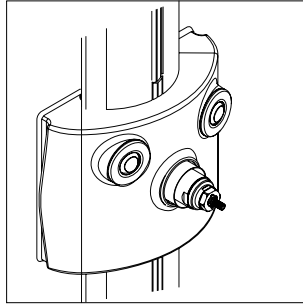
Set the high temperature limit stop and justify the handle (see page 14).



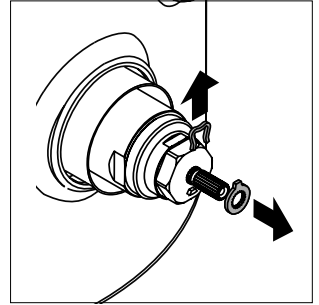
## Set the High Temperature Limit Stop



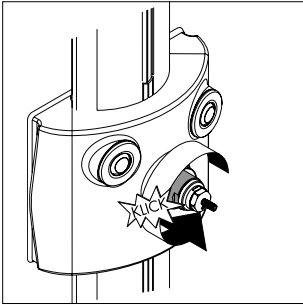
Loosen the set screw on the handle.



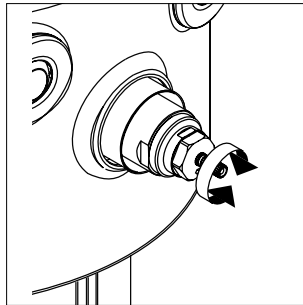
Remove the handle.



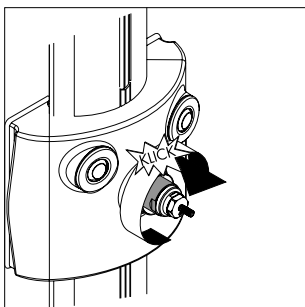
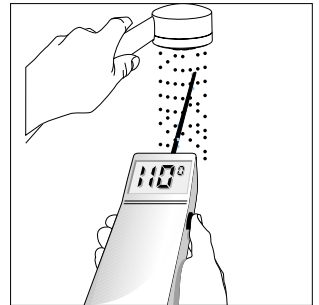
Remove the clip and the high temperature limit stop from the stem.



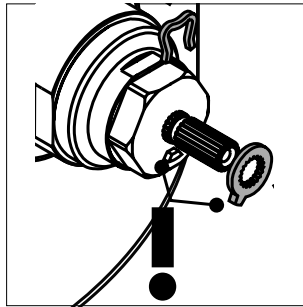
Grasp the barrel on the cartridge and turn it counter-clockwise to turn on the handshower.



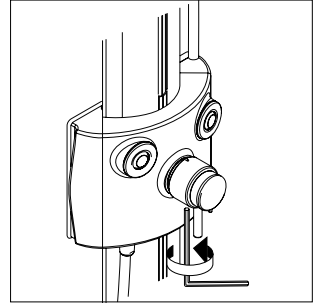
Turn the stem until the water coming out of the handshower is the desired maximum high temperature (usually about 110°F).



Grasp the barrel and turn it clockwise to turn the water off.

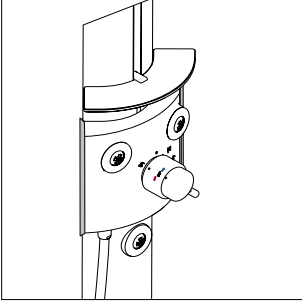


Replace the high temperature limit stop so that it is against the brass stop on the top of the cartridge. Replace the clip.

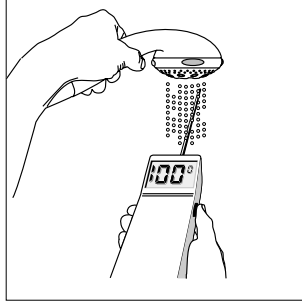


Reinstall the handle. Tighten the set screw.

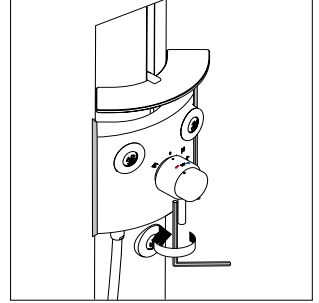
## Justify the Handle



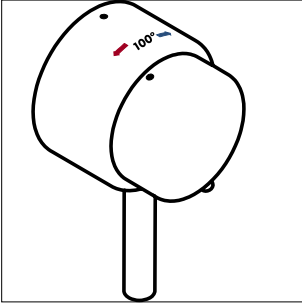
Turn the water on to the handshower.



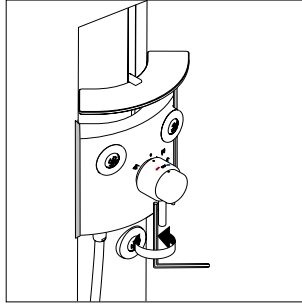
Turn the temperature control knob so that the water measures 100°F on a thermometer. Turn the water off.



Remove the handle.



Turn the temperature control knob so that the indicator is next to the 100° marking.



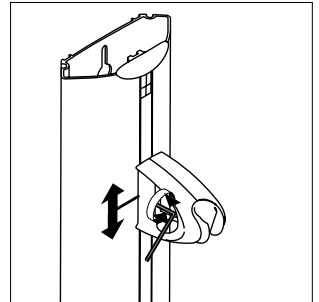
Replace the handle. Tighten the set screw.

## Adjust the Slider

Use a 2.5 mm Allen wrench to adjust the tension on the slider.

Turn the screw clockwise to make the slider easier to move.

Turn the screw counter-clockwise to make the slider harder to move.

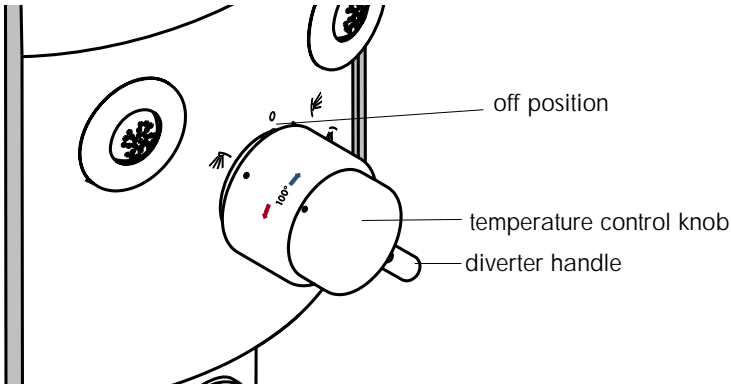


## User Instructions

Turn the temperature control knob clockwise to make the water cooler, counter-clockwise to make it warmer. The knob will stop at the 100°F position. If water hotter than 100°F is desired, push in on the knob, and continue turning it counter-clockwise.

From the "off" position, turn the diverter handle counter-clockwise for the handshower.

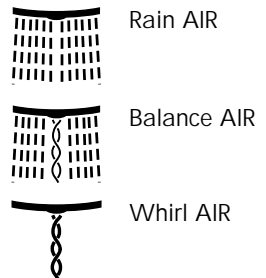
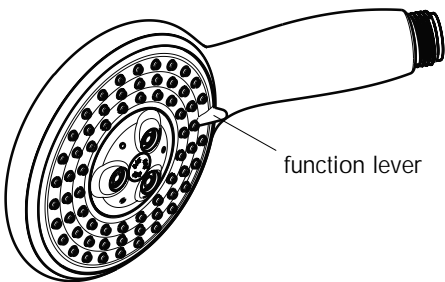
Turn the diverter handle clockwise for the bodysprays. Turn the handle further clockwise for the handshower and the bodysprays simultaneously.



## Using the Handshower

The handshower has 3 spray modes -- Rain AIR, Whirl AIR, and Balance AIR.

Push the function lever until the desired spray mode is achieved.



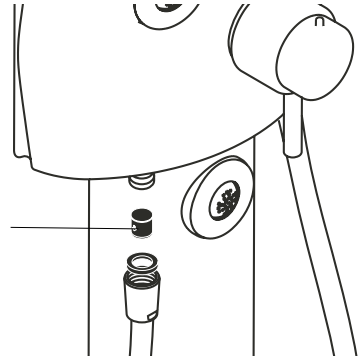


## Check Valve Maintenance

The check valve should be removed and inspected yearly.

If the check valve is damaged, it should be replaced.

check valve

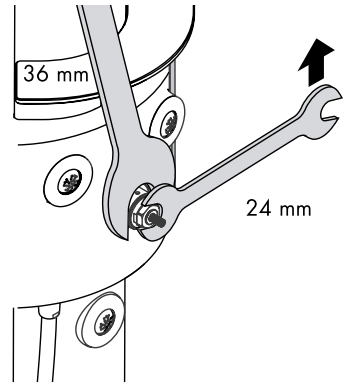


## Clean the Thermostatic Cartridge Filters

A possible cause of lost pressure, especially if the pressure decreases as the temperature increases, is debris clogging the filter screens on the thermostatic cartridge. If this occurs, the screens should be cleaned.

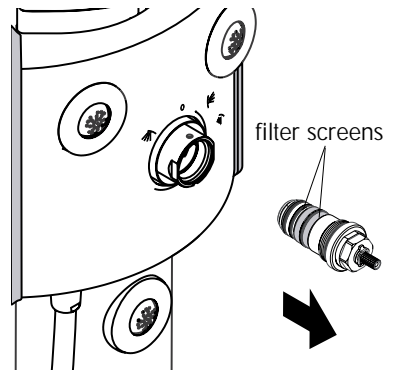
Remove the handle.

Hold the thermoelement steady with a 36 mm wrench. Use a 24 mm wrench to unscrew the thermostat cartridge from the thermoelement.

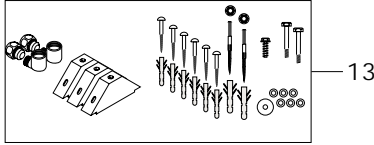
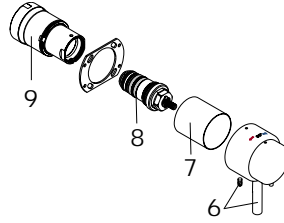
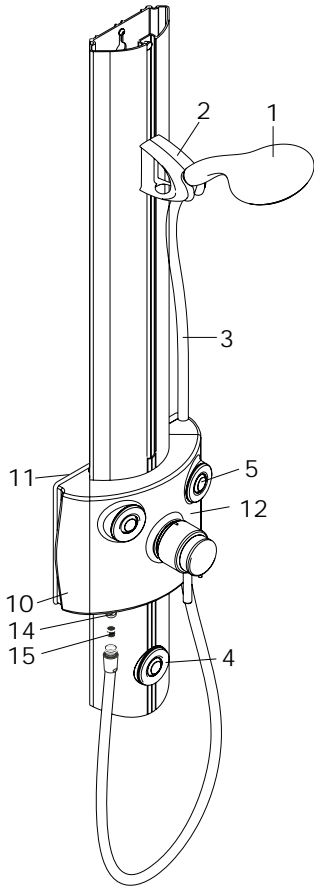


Clean the filter screens under running water. An old toothbrush may be used if care is taken not to damage the filter screens.

Reinstall the thermostat cartridge.



## Replacement Parts



1	handshower	28502XX1
2	slider	25968000
3	handshower hose	28276XX0
4	escutcheon	25981XX0
5	bodyspray	25970000
6	handle	88641XX0
7	sleeve	88520XX0
8	thermostat cartridge	94282000
9	stop unit	25973000
10	side panel	25974XX0
11	seal	25975000
12	front cover	25976XX0
13	hardware kit	25977XX1
14	hose connection	25978000
15	check valve	94074000

## Cleaning Recommendation for Hansgrohe Products

Modern faucets and shower products utilize a combination of materials to comply with the needs of the market with regard to design and functionality.

To avoid damage, it is necessary to use some caution when cleaning. Damage caused by improper treatment is not covered under the Hansgrohe warranty.

### Cleaning Materials for Faucets and Showers

- To remove lime scale, use only products made specifically for that purpose. Always follow the manufacturer's instructions when using.
- Do not use cleaners that contain hydrochloric, formic, acetic, or phosphoric acids, as these will cause considerable damage to finishes and to plastic components.
- Never mix cleaning materials.
- Never use cleaners containing abrasives. Do not use abrasive cleaning cloths, pads, or sponges.

## Cleaning Procedures

- Clean your faucets and shower products as and when required. Regular cleaning will prevent scale buildup and water spotting.
- Follow the label instructions. Do not allow any cleaner to remain on the product for longer than necessary.
- When using spray cleaners, spray first onto a sponge or cloth – do not spray directly onto the product.
- After cleaning, rinse thoroughly with clear water to remove any cleaner residue.

## Important

- Soap and shampoo residue can also cause damage to the product. Rinse well with clean water after use.
- If the surface is already damaged, harsh cleaning materials will cause further damage.

## Limited Lifetime Consumer Warranty

This product has been manufactured and tested to the highest quality standards by Hansgrohe, Inc. ("Hansgrohe"). This warranty is limited to Hansgrohe products which are purchased by a consumer in the United States after March 1, 1996, and installed in either the United States or Canada.

### WHO IS COVERED BY THE WARRANTY

This warranty extends to the original consumer purchaser only.

### WHAT IS COVERED BY THE WARRANTY

This warranty covers only your Hansgrohe manufactured product. Hansgrohe warrants this product against defects in material or workmanship as follows: Hansgrohe will repair at no charge for parts only or, at its option, replace any product or part of the product which proves defective because of improper workmanship and/or material, under normal installation, use, service and maintenance. If Hansgrohe is unable to provide a replacement and repair is not practical or cannot be timely made, Hansgrohe may elect to refund the purchase price in exchange for the return of the product.

### LENGTH OF WARRANTY

Replacement or repaired parts of products will be covered for the term of this warranty as stated in the following two sentences. If you are a consumer who purchased the product for use primarily for personal, family, or household purposes, this warranty extends for as long as you own the product and the home in which the product is installed. If you purchased the product for use primarily for any other purpose, including, without limitation, a commercial purpose, this warranty extends only (i) for 1 year, with respect to Interaktiv and Retroaktiv products, and (ii) for 5 years, with respect to AXOR, ShowerPower and Pharo products.

### THIS WARRANTY DOES NOT COVER, AND HANSGROHE WILL NOT PAY FOR:

- A. Conditions, malfunctions or damage not resulting from defects in material or workmanship.
- B. Conditions, malfunctions or damage resulting from (1) improper installation, improper maintenance, misuse, abuse, negligence, accident or alteration, or (2) the use of abrasive or caustic cleaning agents or "no rinse" cleaning products, or the use of the product in any manner contrary to the product instructions.
- C. Labor or other expenses for the disconnection or return of the product for warranty service, or for installation or reinstallation of the product.
- D. Accessories or related products not manufactured by Hansgrohe.

### TO OBTAIN WARRANTY SERVICE

Contact your Hansgrohe retailer, or write to Technical Service at:

Hansgrohe Inc.  
1492 Bluegrass Lakes Parkway  
Alpharetta GA 30004

Or, call Hansgrohe toll-free at (800) 334-0455.

In requesting warranty service, you will need to provide

1. The sales receipt or other evidence of the date and place of purchase.
2. A description of the problem.
3. Delivery of the product or the defective part, postage prepaid and carefully packed and insured, to Hansgrohe Inc. 1492 Bluegrass Lakes Parkway, Alpharetta, Georgia 30004, Attention: Technical Service, if required by Hansgrohe.

When warranty service is completed, any repaired or replacement product or part will be returned to you postage prepaid.

#### EXCLUSIONS AND LIMITATIONS

REPAIR OR REPLACEMENT (OR, IN LIMITED CIRCUMSTANCES, REFUND OF THE PURCHASE PRICE) AS PROVIDED UNDER THIS WARRANTY IS THE EXCLUSIVE REMEDY OF THE PURCHASER. HANSGROHE NEITHER ASSUMES NOR AUTHORIZES ANY PERSON TO CREATE FOR IT ANY OBLIGATION OR LIABILITY IN CONNECTION WITH THIS PRODUCT.

HANSGROHE SHALL NOT BE LIABLE TO PURCHASER OR ANY PERSON FOR ANY INCIDENTAL, SPECIAL, OR CONSEQUENTIAL DAMAGES, ARISING OUT OF BREACH OF THIS WARRANTY OR ANY IMPLIED WARRANTY (INCLUDING MERCHANTABILITY).

Some States do not allow the exclusion or limitation of incidental or consequential damages, so the above limitation or exclusion may not apply to you.

This warranty gives you specific legal rights, and you may have other rights which vary from State to State.

You may be required by law to give us a reasonable opportunity to correct or cure any failure to comply before you can bring any action in court against us under the Magnuson-Moss Warranty Act.

#### PRODUCT INSTRUCTIONS AND QUESTIONS

Upon purchase or prior to installation, please carefully inspect your Hansgrohe product for any damage or visible defect. Prior to installing, always carefully study the enclosed instructions on the proper installation and the care and maintenance of the product. If you have questions at any time about the use, installation, or performance of your Hansgrohe product, or this warranty, please call or write to us at the toll-free number and address printed above.

**hansgrohe**

Hansgrohe, Inc. • 1490 Bluegrass Lakes Parkway • Alpharetta, GA 30004  
Tel. 770 360-9880 • Fax 770 360 9887

[www.hansgrohe-USA.com](http://www.hansgrohe-USA.com)