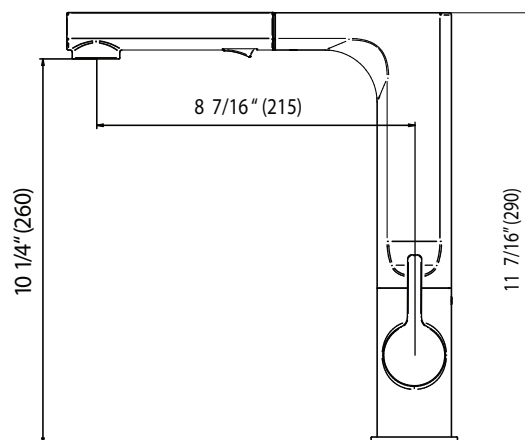
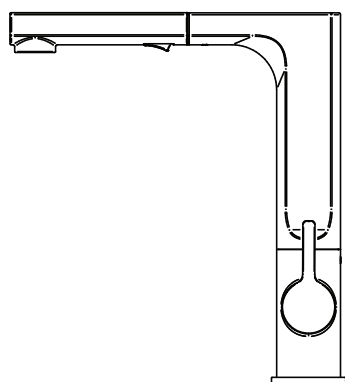


ASCPO - 460 Ascend Pull Out Faucet

Recommended pressure range: 15-88 PSI (1-6 bar)

Max. temperature: 176° F (80° c)



Instructions:

1. **Flush out some water from hot and cold valve in the wall. This will ensure smooth operation during the faucet life.**
2. Insert faucet body through deck plate and into sink or counter.
3. Remount rubber washer followed by plastic base, if necessary, and metal washer to faucet shank under sink. Remount lock nut to shank and hand-tighten.
4. Be sure the faucet is aligned properly. Make final tightening of lock nut.
5. Connect pull-out spray hose tub, being certain that fiber washer remains in place in supply tube.
6. Connect the supply hoses to the hot and cold water supply valves. When tightening the nut be sure not to twist the hoses.
7. Attach counter weight to hose on spout side of loop, just above bend (use screws provided).
8. Confirm that faucet operating handle is in closed position and open supply valves, check connections for leakage.
9. Disconnect spray head from hose and flush water out until clear, to avoid problems with sprayhead operation. Make sure that rubber washer remains in place.

Cleaning:

1. The aerator should be removed periodically and cleaned, depending on the quality of water.
2. In order to maintain the sparkling appearance of the finishes, wipe after each use with a soft cloth. Use only a mild soap or household vinegar to clean the faucet. Do not use steel wool or cleaning against containing alcohol, acids, abrasives, etc.

Operation:

1. The mixer is operated by moving the handle.
2. Swivel handle back and forward for cold and hot water. For mixed water, keep the handle in the middle until the desired temperature is reached.
3. To control the water flow, pull the handle away from the body until you reach the desired flow.
4. On kitchen faucets:
 - a. The handspray can be drawn approximately 500 mm (20") out of the spout.
 - b. The flow of the water is changed from aerator to spray mode by pushing down upon the diverter button located on top of the handspray.
 - c. After the water flow has been shut off, the handspray automatically reverts back to aerator mode.

304465

HOUZER®