

## FEATURES

- Solid brass construction for durability and reliability
- Utilizes installation ring and flexible inlet connections for ease of installation
- High-arch spout design with 360 degree rotation offers superior clearance for a variety of sink activities
- One-piece, self-contained ceramic disc valve allows for both volume and temperature control
- Sprayhead provides both laminar and spray functions at the touch of a button
- 'In the deck' joystick valving is simple in form but strong in function
- Balljoint technology for ease of movement
- PVD finish provides a durable finish to accommodate the high-traffic kitchen environment
- 1.8 gal/min (6.8 l/min) flow rate
- Meets CalGreen requirements for kitchen faucets
- Complements the One kitchen faucet collection

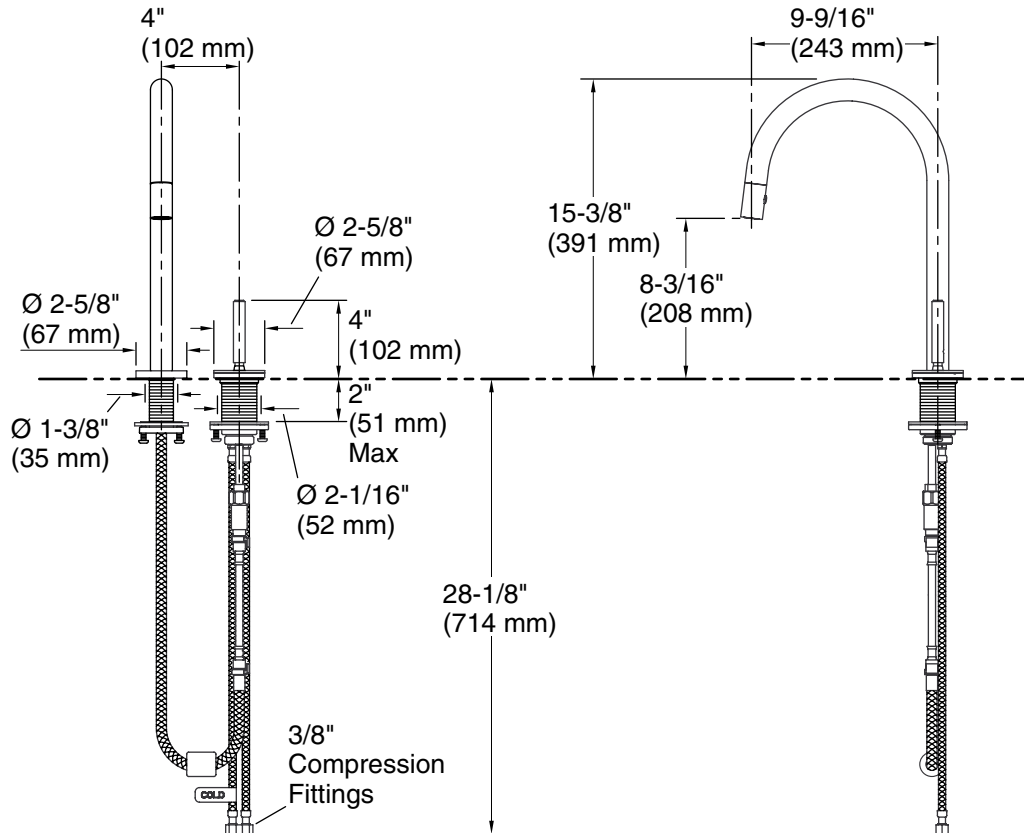
## CODES/STANDARDS APPLICABLE

Specified model meets or exceeds the following:

- ADA Compliant Lever Handle
- ICC/ANSI A117.1
- NSF 61
- ASME A112.18.1/CSA B125.1
- Energy Policy Act of 1992
- California Energy Commission (CEC)
- All applicable US Federal and State material regulations

## P25200

ADA



| SPECIFIED MODEL         |   |   |  |  |
|-------------------------|---|---|--|--|
| Model                   | Description                               | Finishes                                    |  |  |
| P25200-00               | One Pull-Down Kitchen Faucet              | <input type="checkbox"/> CP Polished Chrome | <input type="checkbox"/> AD Nickel Silver      | <input type="checkbox"/> AG Brushed Nickel |
|                         |   | <input type="checkbox"/> GN Gunmetal        | <input type="checkbox"/> ULB Unlacquered Brass | <input type="checkbox"/> BL Matte Black    |
| Recommended Accessories |   |   |  |  |
| P25215-00               | One Soap/Lotion Dispenser                 | <input type="checkbox"/> CP Polished Chrome | <input type="checkbox"/> AD Nickel Silver      | <input type="checkbox"/> AG Brushed Nickel |
|                         |   | <input type="checkbox"/> GN Gunmetal        | <input type="checkbox"/> ULB Unlacquered Brass | <input type="checkbox"/> BL Matte Black    |
| 1102407                 | Kit for countertops over 2" (51 mm) thick | <input type="checkbox"/> NA                 |  |  |

We reserve the right to make revisions without notice in the design of products or in packaging unless this right has specifically been waived at the time the order is accepted.