

Installation and Care Guide

Amplifier

1263840

Français, page“ Français-1”
Español, página“ Español-1”

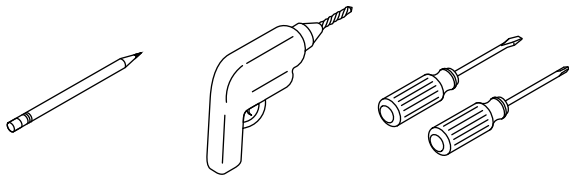
THE BOLD LOOK
OF **KOHLER**®

1298482-2-A

Specifications

Ambient Temperature	Max 104°F (40°C)
Maximum Relative Humidity	90% non-condensing
Electrical Service	120 VAC, 50/60 Hz, 1.3 A Max
Power Cable Length	36" (914 mm)
Data Cable Length	6' (1.83 m)
Output Power	90 Watts total
Frequency Response	20 Hz - 18 kHz +/- 3dB
Signal/Noise Ratio	>75 dB
Total Harmonic Distortion	<0.1% at 1 Watt, <1% at full output power

Tools and Materials



Plus:

- Wire Cutter/Stripper

Before you Begin



WARNING: Risk of electric shock. Disconnect power before servicing.

CAUTION: Risk of product damage. The amplifier is rated to operate in temperatures up to 104°F (40°C). Do not install near heat sources (such as radiators or heat registers) or in any location where the temperature may exceed 104°F (40°C).

NOTICE: This product is not water-resistant. Do not install in a location where excessive moisture, high humidity levels, or condensation are present.

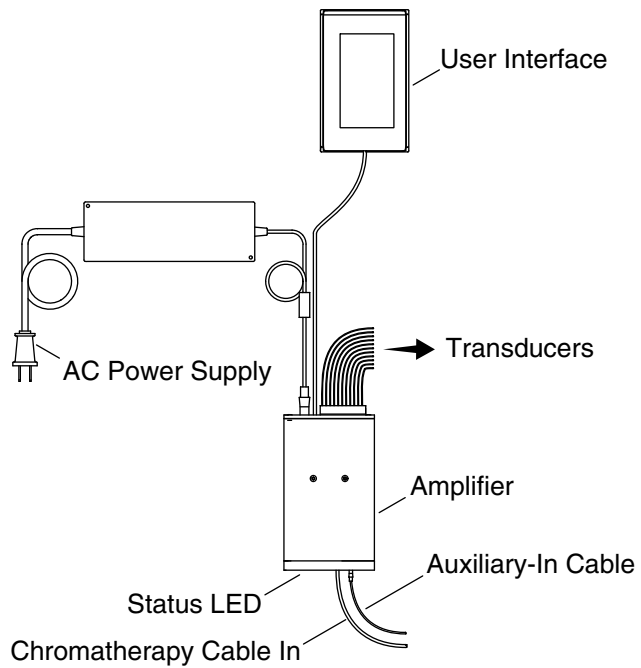
NOTICE: Follow all electrical and building codes.

Before you Begin (cont.)

NOTICE: Provide unrestricted service access to the amplifier.

NOTICE: Provide a minimum of 6" (152 mm) of space around the amplifier for proper air flow.

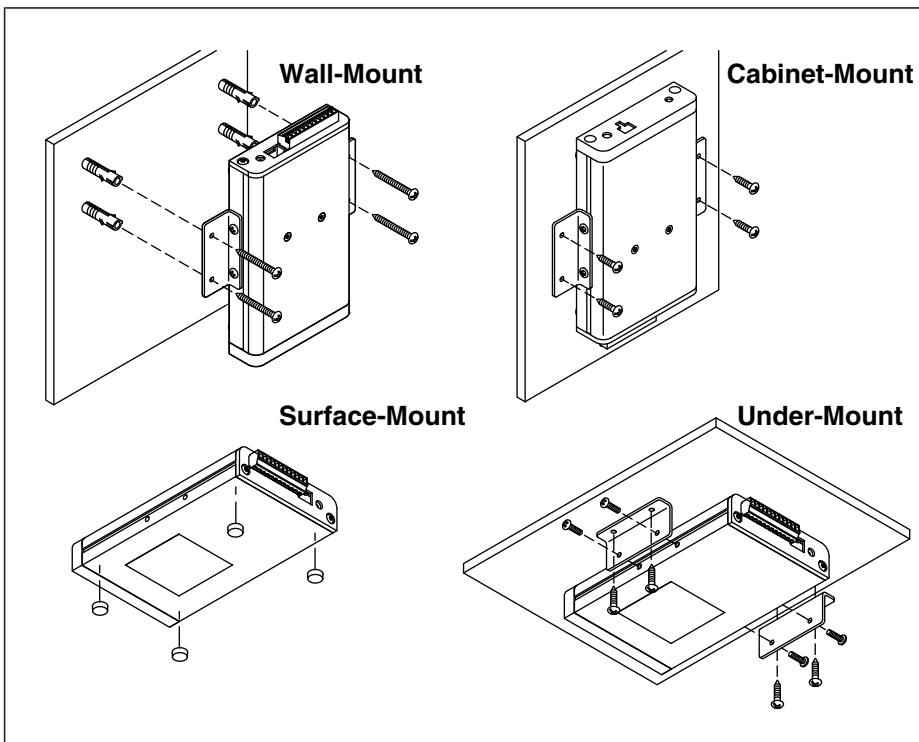
- Determine amplifier and speaker locations before beginning installation. Test the BLUETOOTH® range between the amplifier and your wireless device when determining amplifier location. Under normal conditions, the maximum range is 30' (9.14 m).
- The amplifier can be mounted in any orientation. Use the supplied brackets or rubber feet to accommodate your mounting configuration.
- Locate the amplifier within close proximity to a 15 A 120 V electrical outlet. Install a GFCI or RCD electrical outlet within the stud framing and within 24" (610 mm) of the amplifier.
- A qualified electrician should install any electrical outlet.
- Install the electrical outlet prior to installing the amplifier.
- This amplifier complies with CE, FCC, IC, and RoHS.



1. Preparation

- Plan the location of the amplifier to allow access to the front and back ports.
- To play your personal music files, a wireless BLUETOOTH device or a device with a 3.5 mm stereo cable connection is required.
- Allow adequate reach for wires between the bath and the amplifier.
- Make sure the status LED will be visible after installation.

NOTICE: The circular auxiliary-in port is not an ethernet communication port. Do not connect an ethernet network to the auxiliary-in port. Use the auxiliary-in port only for a standard accessory.



2. Installation

CAUTION: Risk of product damage. The amplifier is rated to operate in temperatures up to 104°F (40°C). Do not install near heat sources (such as radiators or heat registers) or in any location where the temperature may exceed 104°F (40°C).

NOTICE: Mount the amplifier in a dry location, and provide a minimum of 6" (152 mm) of space for proper air flow.

NOTE: Choose the mounting location to best suit the location of the incoming transducer wires and other cables.

NOTE: Make sure the status LED will be visible after installation.

Mounting Options

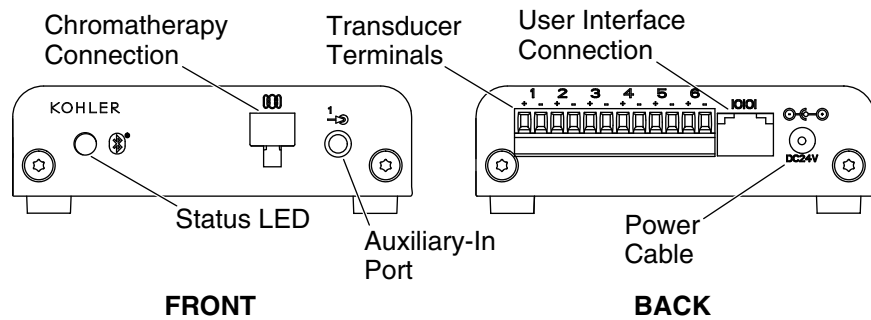
- **Wall-mount:** Secure the amplifier in an upright position using the mounting brackets, anchors, and short screws provided.
- **Cabinet-mount:** Secure the amplifier in an upright position using the mounting brackets and short screws provided.

Installation (cont.)

- **Surface-mount:** Attach the four rubber feet to the underside of the amplifier to protect against scratching your shelf or countertop surface.
- **Under-mount:** Secure the amplifier in position using the mounting brackets and short screws provided.

Bracket Installation

- Position the amplifier with attached brackets in the desired location.
- Mark the bracket hole locations with a pencil.
- Drill pilot holes or insert anchors as needed at the marked locations.
- Secure the brackets using the four screws provided.



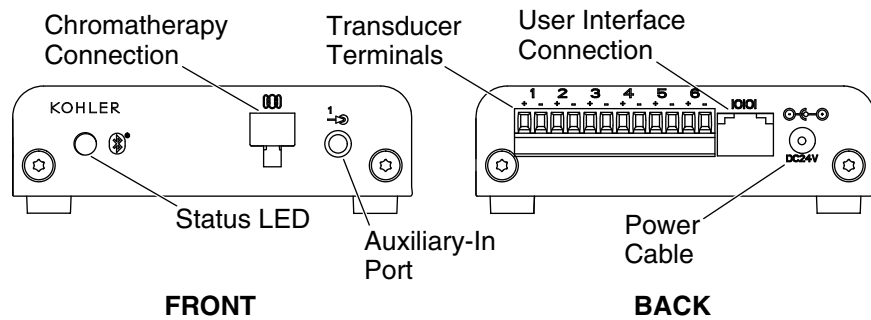
3. Amplifier Connection

NOTE: The transducer terminals and wires are numbered to identify the correct connections. When required, the amplifier can be removed to aid in the wire connection process.

NOTE: A data cable is provided to connect the amplifier to the user interface.

NOTICE: The circular auxiliary-in port is not an ethernet communication port. Do not connect an ethernet network to the auxiliary-in port. Use the auxiliary-in port only for a standard accessory.

- Disconnect the power from the amplifier.
- If equipped, connect the chromatherapy connector from the bath to the chromatherapy connection on the amplifier.
- Connect the transducer wires to the transducer terminals on the amplifier. The white wires with black stripes are connected to the positive (+) terminals, and the solid white wires are connected to the negative (-) terminals.
- Connect the clear connector of the user interface cable to the amplifier user interface connection.
- If used, connect the auxiliary-in cable to the auxiliary-in port on the amplifier.
- Reconnect the power to the amplifier.
- Verify that the status LED turns on.



4. Operation

- When using the auxiliary-in, set your music device to midrange volume after connecting to the amplifier, but before sending an audio signal from the device.
- To listen to a BLUETOOTH source, go to the AUX screen of the User Interface. Activate by pressing the AUX icon.
- A wireless BLUETOOTH source will override an auxiliary-in source.
- When listening to an auxiliary-in source, a tone will be heard when a BLUETOOTH device is paired with the amplifier. The tone indicates that the auxiliary-in source is no longer active.
- To listen to an auxiliary-in source, the BLUETOOTH source must be un-paired from the amplifier.
- When listening to a BLUETOOTH device which is paired with the amplifier, a tone will be heard when the BLUETOOTH device has unpaired from the amplifier and is no longer active.

Status LED Light

- **Yellow blink** = Amplifier error: Contact Kohler Customer Service.
- **Blue blink** = Stand-by mode: Normal operation - No BLUETOOTH connection.
- **Blue solid** = Normal operation: BLUETOOTH receiver is paired with a device.
- **Green blink** = User interface error - For example, loose or disconnected cable.

3.5 mm Stereo Input

Operation (cont.)

- A wired audio device can be connected to the auxiliary-in port on the amplifier.
- Audio input may be slightly delayed when a device is initially connected.

Wireless Input

- Once a BLUETOOTH device is paired, the LED will be solid blue and the audio input will fade-in.
- On the BLUETOOTH user device, the amplifier will display as "VibrAcoustic".
- If a BLUETOOTH pin number is required, use "0000".

NOTE: For more information on system operation, refer to the Homeowner's Guide.

Troubleshooting

IMPORTANT! Turn off the power supply before performing any maintenance.

NOTE: For service parts information, visit your product page at www.kohler.com/serviceparts.

This troubleshooting guide is for general aid only. For service and installation issues or concerns, call 1-800-4KOHLER.

Troubleshooting Table

Symptoms	Probable Cause	Recommended Action
1. One or more transducers do not produce sound.	A. Transducer wire is not connected properly.	A. Make sure the wires are properly connected to the amplifier. Each transducer has a white with black wire which is the positive (+) lead, and a solid white wire which is the negative (-) lead.

Troubleshooting (cont.)

Troubleshooting Table

Symptoms	Probable Cause	Recommended Action
	<p>B. Damaged transducer wires.</p> <p>C. Transducer is missing, loose, or not attached.</p>	<p>B. The bath has six transducers with cables that are permanently attached. Inspect the six transducers for frayed, cut, or loose wires. Contact Kohler Customer Service for assistance.</p> <p>C. If any one of the six transducers is missing, loose, or not attached to the bath, contact Kohler Customer Service for assistance.</p>
<p>2. The music stops even though a song is properly selected, and the status indicator light is blinking yellow.</p>	<p>A. Thermal shut down.</p> <p>B. Amplifier error.</p>	<p>A. Shut down the system for one hour to allow the unit to cool. Make sure the area where the unit is installed does not exceed 104°F (40°C). Restart the system. The LED status indicator should be solid blue.</p> <p>B. Call Kohler Customer Service if the amplifier LED status indicator is blinking yellow after the system has been restarted.</p>
<p>3. The status LED is not illuminated.</p>	<p>A. Power supply is not plugged into the outlet.</p> <p>B. Power supply connection to the amplifier is loose or disconnected.</p>	<p>A. Plug the power supply into the outlet.</p> <p>B. Check power supply connection to the amplifier and reconnect if needed.</p>

Troubleshooting (cont.)

Troubleshooting Table

Symptoms	Probable Cause	Recommended Action
	<p>C. The outlet is not powered.</p> <p>D. Circuit breaker has been tripped.</p>	<p>C. Make sure there is power to the electrical outlet.</p> <p>D. Reset the circuit breaker.</p>
<p>4. No sound plays through the transducers.</p>	<p>A. The song is paused.</p> <p>B. Auxiliary-In or BLUETOOTH source is not connected.</p> <p>C. VibrAcoustic Experience has not been selected at the User Interface.</p> <p>D. The amplifier has been muted.</p> <p>E. The volume is too low.</p>	<p>A. Make sure a song is playing. If the song is paused, press the resume feature to continue playback.</p> <p>B. Make sure a song is playing from the auxiliary-in or BLUETOOTH source.</p> <p>C. Make sure the VibrAcoustic Experience has been selected.</p> <p>D. Go into the intensity screen on the User Interface and unmute the amplifier.</p> <p>E. Make sure the volume is high enough.</p>
<p>5. The amplifier is not connecting to my BLUETOOTH device.</p>	<p>A. The BLUETOOTH device is not within range.</p> <p>B. The BLUETOOTH device is not paired with the amplifier.</p>	<p>A. Make sure the BLUETOOTH device is within range of your amplifier. Under normal conditions, the maximum range is 30' (9.14 m).</p> <p>B. Pair your BLUETOOTH device with the amplifier according to the pairing instructions for your BLUETOOTH device.</p>

Troubleshooting (cont.)

Troubleshooting Table

Symptoms	Probable Cause	Recommended Action
6. The status LED is blue, but the audio signal is intermittent.	A. The BLUETOOTH device signal is weak.	A. Move the BLUETOOTH device closer to the amplifier location. Under normal conditions, the maximum range is 30' (9.14 m).

Compliance

Contains: Kohler Company, Model: 1263840, FCC ID: N82KOHLE017, IC: 4554A-KOHLE017, CE: CE2200

FCC Interference Statement

This device complies with Part 15 of the FCC Rules. Operation is subject to the following two conditions:

1. This device may not cause harmful interference, and
2. This device must accept any interference received, including interference that may cause undesired operation.

The circular auxiliary-in port is not an ethernet communication port. Do not connect it to an ethernet network.

Changes or modifications not expressly approved by the party responsible for compliance could void the user's authority to operate the equipment.

This equipment has been tested and found to comply with the limits for a Class B digital device, pursuant to Part 15 of the FCC Rules. These limits are designed to provide reasonable protection against harmful interference in a residential installation. This equipment generates, uses, and can radiate radio frequency energy and, if not installed and used in accordance with the instructions, may cause harmful interference to radio communications. However, there is no guarantee that interference will not occur in a particular installation. If this equipment does cause harmful interference to radio or television reception, which can be determined by turning the equipment off and on, the user is encouraged to try to correct the interference by one or more of the following measures:

Compliance (cont.)

- Reorient or relocate the receiving antenna.
- Increase the separation between the equipment and receiver.
- Connect the equipment into an outlet on a circuit different from that to which the receiver is connected.
- Consult the dealer or an experienced radio/TV technician for help.

Industry Canada Statement

This device complies with Industry Canada licence-exempt RSS standard(s). Operation is subject to the following two conditions:

1. This device may not cause interference, and
2. This device must accept any interference, including interference that may cause undesired operation of the device.

CAN ICES-3(B)/NMB-3(B)

CE2200

Range and Function Disclaimer

BLUETOOTH® is the name for a short-range radio frequency (RF) technology that operates at 2.4 GHz. The effective range of most BLUETOOTH mobile devices is 10 meters. BLUETOOTH is designed for very low power use. The compatibility of the BLUETOOTH amplifier interface to mobile/portable devices differs according to the various individual devices and, in particular, may vary with different software versions for a device. The normal mobile device BLUETOOTH range can be up to 10 meters, however, placement of your mobile device and the BLUETOOTH amplifier's installation environment will impact your reception range.

Water and walls can act as blocking agents to the BLUETOOTH signal that your mobile device is using to broadcast to your BLUETOOTH amplifier. Therefore, selecting an installation location that removes these range blocking obstacles will increase the effective range and performance of your BLUETOOTH amplifier.

You can test your BLUETOOTH reception by performing simple range tests using your mobile device prior to performing a permanent installation. The best way to make use of the short BLUETOOTH range is to make sure your BLUETOOTH amplifier is as close to the BLUETOOTH transmitter (mobile phone, tablet, etc.) as possible. The less distance between the two devices, the greater will be the reliability

Range and Function Disclaimer (cont.)

of your BLUETOOTH audio signal, and the less distance means less obstacles in the medium through which the transmission is passing, so there is a reduced chance of audio signal loss.

The compatibility of the BLUETOOTH amplifier to mobile/portable devices differs according to the various individual devices and, in particular, may vary with different software versions for a device. All functions are based on industry-wide communications standards. Compatibility between the BLUETOOTH amplifier and mobile device is therefore largely dependent upon the software version of the mobile device. Other factors (e.g. installation location, walls, distance) mean that in individual cases, sporadic impairment of functions may occur in devices that otherwise function reliably. Not all functions are supported in all countries.

Because of these reasons, Kohler Co. can assume no guarantee for the unlimited compatibility and functionality of your mobile device in conjunction with the BLUETOOTH amplifier.

The BLUETOOTH® word mark and logos are registered trademarks owned by Bluetooth SIG, Inc. and any use of such marks by Kohler Co. approved suppliers is under license. Other trademarks and trade names are those of their respective owners.

Warranty

ONE-YEAR LIMITED WARRANTY

KOHLER plumbing products are warranted to be free of defects in material and workmanship for one year from date of installation.

Kohler Co. will, at its election, repair, replace or make appropriate adjustment where Kohler Co. inspection discloses any such defects occurring in normal usage within one (1) year after installation. Kohler Co. is not responsible for removal or installation costs. **Use of in-tank toilet cleaners will void the warranty.**

To obtain warranty service contact Kohler Co. either through your Dealer, Plumbing Contractor, Home Center or E-tailer, or by writing Kohler Co., Attn.: Customer Care Center, 444 Highland Drive, Kohler, WI 53044, USA, or by calling 1-800-4-KOHLER (1-800-456-4537) from within the USA and Canada, and 001-800-456-4537 from within Mexico, or visit www.kohler.com within the USA, www.ca.kohler.com from within Canada, or www.mx.kohler.com in Mexico.

IMPLIED WARRANTIES INCLUDING THAT OF MERCHANTABILITY AND FITNESS FOR A PARTICULAR

Warranty (cont.)

PURPOSE ARE EXPRESSLY LIMITED IN DURATION TO THE DURATION OF THIS WARRANTY. KOHLER CO. AND/OR SELLER DISCLAIM ANY LIABILITY FOR SPECIAL, INCIDENTAL OR CONSEQUENTIAL DAMAGES. Some states/provinces do not allow limitations on how long an implied warranty lasts, or the exclusion or limitation of special, incidental or consequential damages, so these limitations and exclusions may not apply to you. This warranty gives you specific legal rights. You may also have other rights which vary from state/province to state/province.

This is Kohler Co.'s exclusive written warranty.

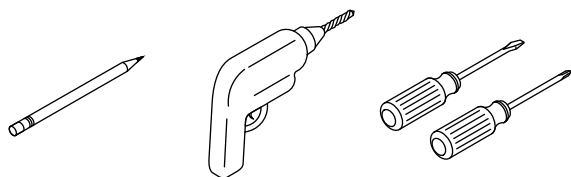
Guide d'installation et d'entretien

Amplificateur

Spécifications

Température ambiante	Max 104°F (40°C)
Humidité relative maximale	90% sans condensation
Service électrique	120 VAC, 50/60 Hz, 1,3 A Max
Longueur de câble d'alimentation	36" (914 mm)
Longueur du câble de données	6' (1,83 m)
Puissance de sortie	90 Watts au total
Réponse en fréquence	20 Hz - 18 kHz +/- 3 dB
Rapport signal/bruit	>75 dB
Distorsion harmonique totale	<0,1% à 1 watt, < 1% à la puissance de sortie intégrale

Outils et matériel



Plus:

- Coupe-fils/
Pince à dénuder

Avant de commencer



AVERTISSEMENT: Risque de choc électrique. Déconnecter l'alimentation électrique avant d'effectuer un entretien.

ATTENTION: Risque d'endommagement du produit.

L'amplificateur est destiné à fonctionner à des températures de

Avant de commencer (cont.)

104°F (40°C) maximum. Ne pas installer à proximité de sources de chaleur (comme des radiateurs ou des registres de chaleur), ni dans des endroits où la température pourrait dépasser 104°F (40°C).

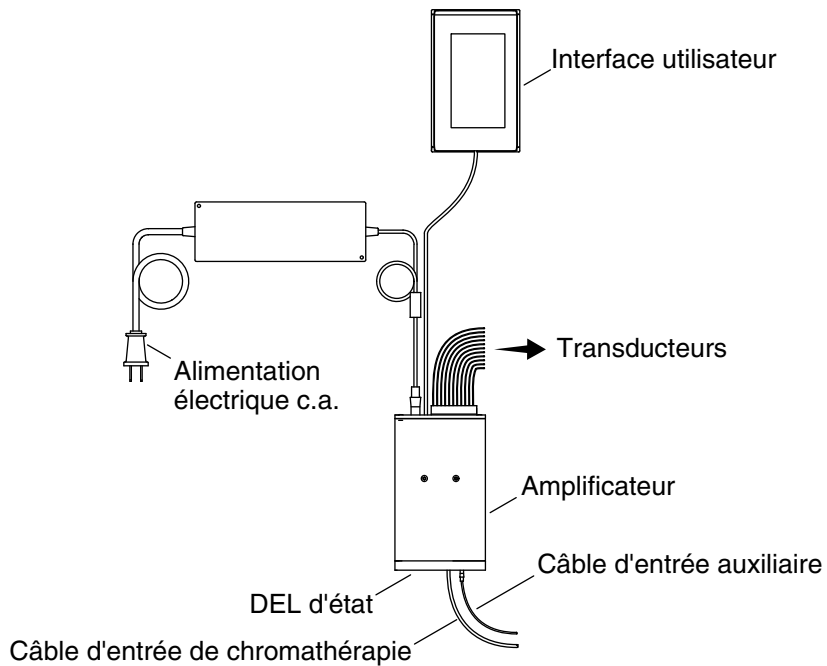
AVIS: Ce produit n'est pas hydrorésistant. Ne pas installer dans un endroit avec une humidité excessive, avec des niveaux de haute humidité ou avec condensation.

AVIS: Respecter tous les codes électriques et codes du bâtiment locaux.

AVIS: Fournir un accès libre à l'amplificateur aux fins d'entretien.

AVIS: Fournir un minimum de 6" (152 mm) d'espace autour de l'amplificateur pour assurer une circulation d'air appropriée.

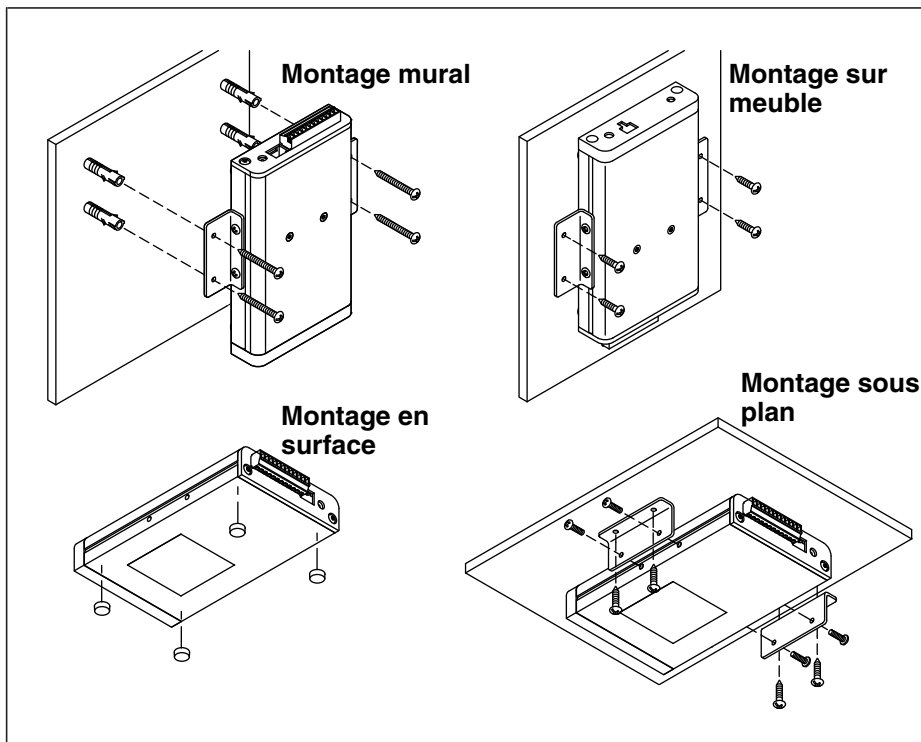
- Déterminer les emplacements de l'amplificateur et des haut-parleurs avant de commencer l'installation. Tester la portée de l'appareil BLUETOOTH® entre l'amplificateur et le dispositif sans fil lors de l'établissement de l'emplacement de l'amplificateur. Dans des conditions normales, la portée maximale est de 30' (9,14 m).
- L'amplificateur peut être monté dans n'importe quelle orientation. Utiliser les supports ou les pieds en caoutchouc fournis pour adapter la configuration de montage.
- Positionner l'amplificateur à proximité d'une sortie électrique de 15 A 120 V. Installer une prise électrique pour disjoncteur de fuite de terre (GFCI) ou dispositif de protection à courant résiduel (RCD) dans les limites de l'ossature et dans une distance de 24" (610 mm) de l'amplificateur.
- Toutes les prises électriques doivent être installées par un électricien qualifié.
- Installer la prise électrique avant d'installer l'amplificateur.
- Cet amplificateur est conforme aux normes CE, FCC, IC et RoHS.



1. Préparation

- Planifier l'emplacement de l'amplificateur de manière à permettre un accès aux ports avant et arrière.
- Un dispositif BLUETOOTH sans fil ou un appareil avec une connexion de câble stéréo de 3,5 mm sont requis pour lire des fichiers de musique personnels.
- Laisser un espace d'accès adéquat pour les fils entre la baignoire et l'amplificateur.
- S'assurer que le voyant DEL d'état est visible après l'installation.

AVIS: Le port d'entrée auxiliaire circulaire n'est pas un port de communication ethernet. Ne pas connecter de réseau ethernet au port d'entrée auxiliaire. Seulement utiliser le port d'entrée auxiliaire pour un accessoire standard.



2. Installation

ATTENTION: Risque d'endommagement du produit.

L'amplificateur est destiné à fonctionner à des températures de 104°F (40°C) maximum. Ne pas installer à proximité de sources de chaleur (comme des radiateurs ou des registres de chaleur), ni dans des endroits où la température pourrait dépasser 104°F (40°C).

AVIS: Monter l'amplificateur dans un emplacement sec et fournir un minimum de 6" (152 mm) d'espace pour assurer un débit d'air approprié.

REMARQUE: Choisir l'emplacement de fixation pour mieux l'adapter à l'emplacement des fils d'entrée des transducteurs et d'autres câbles.

REMARQUE: S'assurer que le voyant DEL d'état est visible après l'installation.

Options de montage

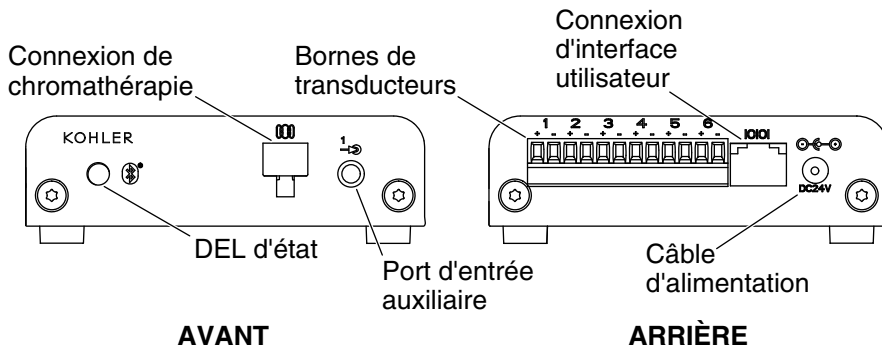
- **Montage mural:** Sécuriser l'amplificateur dans une position verticale en utilisant les supports de fixation, les dispositifs d'ancrage et les vis courtes fournies.

Installation (cont.)

- **Montage sur meuble:** Sécuriser l'amplificateur dans une position verticale en utilisant les supports de fixation et les vis courtes fournies.
- **Montage en surface:** Attacher les quatre pieds en caoutchouc sur le dessous de l'amplificateur pour protéger l'étagère ou la surface du comptoir contre les rayures.
- **Montage sous plan:** Sécuriser l'amplificateur dans une position en utilisant les supports de fixation et les vis courtes fournies.

Installation de support

- Positionner l'amplificateur avec les supports attachés dans l'emplacement souhaité.
- Marquer les emplacements des orifices des supports avec un crayon.
- Percer des trous pilotes ou insérer les dispositifs d'ancrage selon les besoins aux emplacements marqués.
- Sécuriser les supports en utilisant les quatre vis fournies.



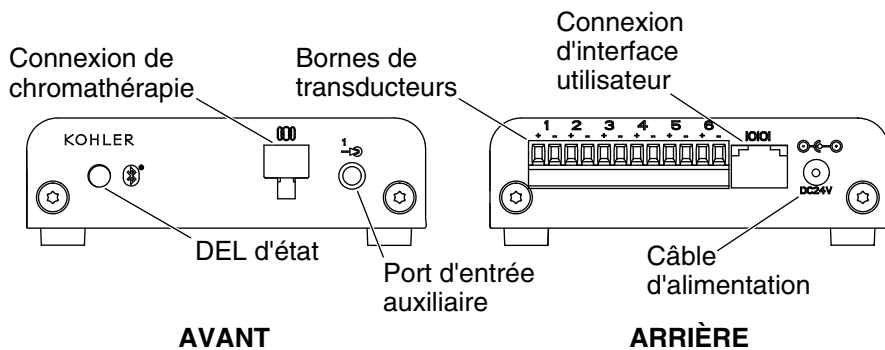
3. Connexion de l'amplificateur

REMARQUE: Les bornes et les fils des transducteurs sont numérotés pour permettre d'identifier les connexions appropriées. Lorsque requis, l'amplificateur peut être retiré pour faciliter la procédure de connexion des fils.

REMARQUE: Un câble de données est fourni pour connecter l'amplificateur à l'interface utilisateur.

AVIS: Le port d'entrée auxiliaire circulaire n'est pas un port de communication ethernet. Ne pas connecter de réseau ethernet au port d'entrée auxiliaire. Seulement utiliser le port d'entrée auxiliaire pour un accessoire standard.

- Déconnecter l'alimentation électrique de l'amplificateur.
- Si présent, connecter le connecteur de chromathérapie entre la baignoire et la connexion de chromathérapie sur l'amplificateur.
- Connecter les fils des transducteurs aux bornes des transducteurs sur l'amplificateur. Les fils blancs avec rayures noires sont connectés aux bornes positives (+) et les fils blancs solides sont connectés aux bornes négatives (-).
- Connecter le connecteur transparent du câble d'interface utilisateur à la connexion d'interface utilisateur de l'amplificateur.
- S'il est utilisé, connecter le câble d'entrée auxiliaire au port d'entrée auxiliaire sur l'amplificateur.
- Reconnecter l'alimentation électrique à l'amplificateur.
- Vérifier que le voyant DEL d'état s'allume.



4. Fonctionnement

- Lors de l'utilisation de l'entrée auxiliaire, régler l'appareil de musique sur un volume moyen après avoir connecté l'amplificateur, mais avant d'envoyer un signal audio à partir de l'appareil.
- Pour écouter une source BLUETOOTH, aller à l'écran AUX de l'interface utilisateur. Activer en appuyant sur l'icône AUX.
- Une source BLUETOOTH sans fil prend la priorité sur une source d'entrée auxiliaire.
- Lorsque l'on écoute une source d'entrée auxiliaire, une tonalité retentit lorsqu'un appareil BLUETOOTH est apparié à l'amplificateur. La tonalité indique que la source d'entrée auxiliaire n'est plus active.
- Pour écouter une source d'entrée auxiliaire, la source BLUETOOTH doit être désappariée de l'amplificateur.
- Lorsque l'on écoute un appareil BLUETOOTH qui est apparié à l'amplificateur, une tonalité retentit lorsque l'appareil BLUETOOTH s'est désapparié de l'amplificateur et n'est plus activé.

Voyant DEL d'état

- **Clignotement jaune** = Erreur de l'amplificateur: S'adresser au service après-vente de Kohler.
- **Clignotement bleu** = mode Attente Fonctionnement normal - Pas de connexion BLUETOOTH.
- **Bleu solide** = Fonctionnement normal: Le récepteur BLUETOOTH est apparié à un dispositif.

Fonctionnement (cont.)

- **Clignotement vert** = Erreur de l'interface utilisateur - Par exemple un câble desserré ou déconnecté.

Entrée stéréo de 3,5 mm

- Un appareil audio câblé peut être connecté à un port d'entrée auxiliaire sur l'amplificateur.
- Une entrée audio peut être légèrement retardée lorsqu'un dispositif est connecté initialement.

Entrée sans fil

- Une fois que l'appareil BLUETOOTH est apparié, le voyant DEL s'allume en bleu solide et l'entrée audio apparaît en fondu.
- Sur l'appareil de l'utilisateur BLUETOOTH, l'amplificateur sera affiché comme "VibrAcoustic".
- Si un numéro de code BLUETOOTH est requis, utiliser "0000."

REMARQUE: Pour obtenir de l'information supplémentaire sur le fonctionnement du système, consulter le guide du propriétaire.

Dépannage

IMPORTANT! Couper l'alimentation électrique avant d'effectuer un entretien quelconque.

REMARQUE: Pour tout renseignement sur les pièces de rechange, visiter la page du produit sur le site www.kohler.com/serviceparts.

Ce guide de dépannage est seulement destiné à fournir une aide d'ordre général. Pour des problèmes ou questions concernant l'entretien et l'installation, composer le 1-800-4KOHLER.

Tableau de dépannage

Symptômes	Cause probable	Action recommandée
1. Un ou plusieurs transducteurs ne produisent pas de son.	A. Le fil du transducteur n'est pas connecté correctement.	A. S'assurer que les fils sont connectés correctement à l'amplificateur. Chaque transducteur est muni d'un fil blanc et noir qui est le fil positif (+) et un fil en blanc solide qui est le fil négatif (-).

Dépannage (cont.)**Tableau de dépannage**

Symptômes	Cause probable	Action recommandée
	<p>B. Fils de transducteurs endommagés.</p> <p>C. Un transducteur est manquant, desserré ou n'est pas attaché.</p>	<p>B. La baignoire comprend six transducteurs sur lesquels des câbles sont attachés en permanence. Inspecter les six transducteurs pour y rechercher la présence de fils effilochés, coupés ou desserrés. S'adresser au service après-vente de Kohler pour obtenir de l'aide.</p> <p>C. Si l'un des six transducteurs est manquant, desserré ou n'est pas attaché sur la baignoire, s'adresser au service après-vente de Kohler pour obtenir de l'aide.</p>
<p>2. La musique s'arrête même si une chanson a été sélectionnée correctement, et le voyant d'état clignote en jaune.</p>	<p>A. Arrêt thermal.</p>	<p>A. Arrêter le système pendant une heure pour permettre à l'appareil de se refroidir. S'assurer que la température de l'emplacement dans lequel l'appareil est installé ne dépasse pas 104°F (40°C). Redémarrer le système. Le voyant DEL d'état doit être allumé en bleu solide.</p>

Dépannage (cont.)

Tableau de dépannage

Symptômes	Cause probable	Action recommandée
	B. Erreur d'amplificateur.	B. Appeler le service après-vente de Kohler si le voyant DEL d'état clignote en jaune une fois que le système a été redémarré.
3. Le voyant DEL d'état ne s'allume pas.	A. L'alimentation électrique n'est pas branchée dans la prise. B. La connexion de l'alimentation électrique à l'amplificateur est desserrée ou déconnectée. C. La prise n'est pas sous tension. D. Le disjoncteur s'est déclenché.	A. Brancher l'alimentation électrique dans la prise. B. Vérifier la connexion de l'alimentation électrique à l'amplificateur et reconnecter si nécessaire. C. S'assurer que la prise électrique est sous tension. D. Réarmer le disjoncteur.
4. Aucun son à travers les disjoncteurs.	A. La chanson est en pause. B. L'entrée auxiliaire ou la source BLUETOOTH n'est pas connectée. C. Aucun effet VibrAcoustic n'a été sélectionné sur l'interface utilisateur.	A. S'assurer qu'une chanson est en train de jouer. Si la chanson est en pause, appuyer sur la fonction de reprise pour continuer la lecture. B. S'assurer qu'une chanson joue à partir de l'entrée auxiliaire ou de la source BLUETOOTH. C. S'assurer que l'effet VibrAcoustic a été sélectionné.

Dépannage (cont.)

Tableau de dépannage

Symptômes	Cause probable	Action recommandée
	<p>D. L'amplificateur a été mis en sourdine.</p> <p>E. Le volume est trop bas.</p>	<p>D. Aller à l'écran d'intensité sur l'interface utilisateur et annuler la sourdine de l'amplificateur.</p> <p>E. S'assurer que le volume est assez élevé.</p>
<p>5. L'amplificateur ne se connecte pas à mon appareil BLUETOOTH.</p>	<p>A. L'appareil BLUETOOTH ne se trouve pas dans la portée prévue.</p> <p>B. Le dispositif BLUETOOTH n'est pas apparié avec l'amplificateur.</p>	<p>A. S'assurer que le dispositif BLUETOOTH est compris dans la portée de l'amplificateur. Dans des conditions normales, la portée maximale est de 30' (9,14 m).</p> <p>B. Appairer le dispositif BLUETOOTH avec l'amplificateur selon les instructions d'appariement pour le dispositif BLUETOOTH.</p>
<p>6. Le voyant DEL d'état est bleu, mais le signal audio est intermittent.</p>	<p>A. Le signal de l'appareil BLUETOOTH est faible.</p>	<p>A. Amener l'appareil BLUETOOTH plus près de l'emplacement de l'amplificateur. Dans des conditions normales, la portée maximale est de 30' (9,14 m).</p>

Conformité

Contenu: Kohler Company Modèle: 1263840, ID FCC: N82KOHLER017, IC: 4554A-KOHLER017, CE: CE2200

Déclaration d'interférence FCC

Conformité (cont.)

Cet appareil est conforme à la section 15 des réglementations de la FCC. Le fonctionnement de l'appareil est soumis aux deux conditions suivantes:

1. Cet appareil ne doit pas provoquer d'interférences néfastes, et
2. Cet appareil doit tolérer les interférences reçues, y compris celles qui risquent de provoquer un fonctionnement indésirable.

Le port d'entrée auxiliaire circulaire n'est pas un port de communication ethernet. Ne pas le connecter à un réseau ethernet.

Tous changements ou modifications non expressément approuvés par la partie responsable garantissant la conformité, pourraient annuler le droit à l'utilisateur d'opérer l'équipement.

Cet appareil a été testé et est considéré conforme aux limitations d'un appareil numérique de classe B, selon la section 15 des réglementations FCC. Ces limites sont conçues pour fournir une protection raisonnable contre toute interférence nuisible lors d'une installation résidentielle.

Cet appareil génère, utilise et peut émettre une énergie de radiofréquence et, s'il n'est pas installé et utilisé conformément aux instructions, pourrait être la cause d'interférences nuisibles aux communications par radio. Cependant, il n'est pas garanti qu'aucune interférence n'aura lieu dans une installation particulière. Si cet appareil cause des interférences nuisibles à la réception radio ou télévision, ce qui peut être déterminé en éteignant l'appareil et en le rallumant, il est recommandé d'essayer de rectifier cette interférence en prenant l'une ou plusieurs des mesures suivantes:

- Réorienter ou changer l'emplacement de l'antenne de réception.
- Augmenter la séparation entre l'équipement et le récepteur.
- Brancher l'équipement sur une prise d'un circuit différent de celui auquel le récepteur est connecté.
- Consulter un revendeur ou un technicien radio/TV expérimenté pour obtenir de l'assistance.

Déclaration de Industry Canada

Le présent appareil est conforme aux CNR d'Industrie Canada applicables aux appareils radio exempts de licence. Le fonctionnement de l'appareil est soumis aux deux conditions suivantes:

1. L'appareil ne doit pas produire de brouillage, et
2. Cet appareil doit tolérer les interférences reçues, y compris celles qui risquent de provoquer un fonctionnement indésirable.

Conformité (cont.)

CAN ICES-3(B)/NMB-3(B)

CE2200

Non responsabilité pour la portée et le fonctionnement

BLUETOOTH® est le nom d'une technologie de radiofréquence (RF) à courte portée qui fonctionne à 2,4 GHz. La portée efficace de la plupart des appareils mobiles BLUETOOTH est de 10 mètres. Les appareils BLUETOOTH sont conçus pour une utilisation très faible de courant. La compatibilité de l'interface de l'amplificateur BLUETOOTH avec les dispositifs mobiles/portables varie en fonction des divers dispositifs individuels, et, en particulier, elle peut varier avec des versions de logiciel différentes pour un appareil. La portée BLUETOOTH normale de dispositif mobile peut aller jusqu'à 10 mètres, mais le positionnement du dispositif mobile et de l'environnement de l'installation de l'amplificateur BLUETOOTH aura un impact sur la portée de réception.

L'eau et les murs peuvent avoir un effet d'agents bloquants pour le signal BLUETOOTH que votre dispositif mobile utilise pour émettre vers votre amplificateur BLUETOOTH. C'est pourquoi, le choix d'un emplacement d'installation qui supprime ces obstacles de blocage de la portée augmente la portée efficace et la performance de votre amplificateur BLUETOOTH.

La réception de votre appareil BLUETOOTH peut être testée par de simples essais de portée en utilisant votre appareil mobile avant de procéder à une installation permanente. La meilleure manière d'utiliser la courte portée BLUETOOTH est d'assurer que l'amplificateur BLUETOOTH soit aussi près que possible de l'émetteur BLUETOOTH (téléphone mobile, tablette, etc.). Moins la distance entre les deux appareils sera grande, plus la fiabilité du signal audio de l'appareil BLUETOOTH sera élevée; une moindre distance signifie également moins d'obstacles dans le milieu par lequel la transmission passe et, par conséquent, il y a moins de possibilités de perte de signal audio.

La compatibilité de l'amplificateur BLUETOOTH avec les dispositifs mobiles/portables varie en fonction des divers dispositifs individuels, et, en particulier, elle peut varier avec des versions de logiciel différentes pour un appareil. Toutes les fonctions sont basées sur des normes de communication dans l'ensemble de l'industrie. La compatibilité entre l'amplificateur BLUETOOTH et le dispositif mobile dépend par conséquent en grande partie de la version du logiciel du dispositif mobile. D'autres facteurs (par ex. emplacement de l'installation, murs, distance) signifient que dans des cas individuels, une dégradation sporadique des fonctions peut se produire pour des

Non responsabilité pour la portée et le fonctionnement (cont.)

appareils qui fonctionnent normalement de manière fiable. Certaines fonctions ne sont pas prises en charge dans certains pays.

C'est pour cela que Kohler Co. ne peut assumer aucune garantie pour la compatibilité et la fonctionnalité illimitées de votre dispositif mobile corrélativement à l'amplificateur BLUETOOTH.

Le mot servant de marque et les logos BLUETOOTH® sont des marques déposées appartenant à Bluetooth SIG, Inc. et une utilisation quelconque de telles marques par les fournisseurs approuvés par Kohler Co. est sous licence. D'autres marques et noms de commerce sont celles de leurs propriétaires respectifs.

Garantie

GARANTIE LIMITÉE D'UN AN

Les produits de plomberie KOHLER sont garantis contre tout vice de matériau et de fabrication pendant un an à partir de la date de l'installation.

Si un vice est découvert au cours d'une utilisation normale, Kohler Co. choisira, à sa discrétion, la réparation, le remplacement ou la rectification appropriée après inspection desdits vices par Kohler Co. pendant un (1) an à partir de la date d'installation. Kohler Co. n'est pas responsable des frais d'enlèvement ou d'installation. **L'utilisation de nettoyeurs à l'intérieur du réservoir annule la garantie.**

Pour obtenir le service de garantie, contacter Kohler Co., par l'intermédiaire du vendeur, plombier, centre de rénovation ou revendeur par internet, ou bien par écrit à l'adresse suivante Kohler Co., Attn.: Customer Care Center, 444 Highland Drive, Kohler, WI 53044, USA, ou appeler le 1-800-4-KOHLER (1-800-456-4537) à partir des É.-U. et du Canada, et le 001-800-456-4537 à partir du Mexique, ou consulter le site www.kohler.com aux É.-U., www.ca.kohler.com à partir du Canada, ou www.mx.kohler.com au Mexique.

LES GARANTIES TACITES, Y COMPRIS CELLES DE COMMERCIALITÉ ET D'ADAPTATION À UN USAGE PARTICULIER, SONT EXPRESSÉMENT LIMITÉE À LA DURÉE DE LA PRÉSENTE GARANTIE. KOHLER CO. ET/OU LE REVENDEUR DÉCLINENT TOUTE RESPONSABILITÉ CONTRE LES DOMMAGES PARTICULIERS, ACCESSOIRES OU INDIRECTS.

Certains états et provinces ne permettent pas de limite sur la durée de la garantie tacite, ni l'exclusion ou la limite des dommages particuliers, accessoires ou indirects, et, par conséquent, lesdites limites et

Garantie (cont.)

exclusions peuvent ne pas s'appliquer à votre cas. Cette garantie vous donne des droits juridiques particuliers. Vous pouvez également avoir d'autres droits qui varient d'un état ou d'une province à l'autre.

Ceci constitue la garantie écrite exclusive de Kohler Co.

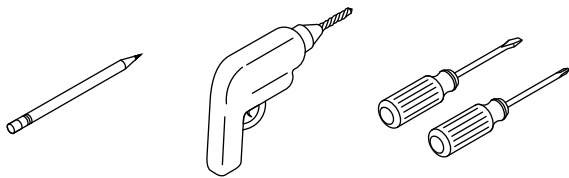
Guía de instalación y cuidado

Amplificador

Especificaciones

Temperatura ambiente	Máx. 104°F (40°C)
Humedad relativa máxima	90 % sin condensación
Servicio eléctrico	120 VCA, 50/60 Hz, 1,3 A máx.
Longitud del cable eléctrico	36" (914 mm)
Longitud del cable de datos	6' (1,83 m)
Potencia de salida	90 watts en total
Respuesta de frecuencia	20 Hz - 18 kHz +/- 3dB
Relación de señal/ruido	>75 dB
Distorsión armónica total	<0,1% a 1 watt, <1 % a potencia plena de salida

Herramientas y materiales



Más:

- Cortacables/
Pelacables

Antes de comenzar



ADVERTENCIA: Riesgo de sacudidas eléctricas. Desconecte el suministro eléctrico antes de dar servicio.

PRECAUCIÓN: Riesgo de daños al producto. El amplificador tiene la capacidad de funcionar a temperaturas de hasta 104°F (40°C). No

Antes de comenzar (cont.)

instale cerca de fuentes de calor (como radiadores o registros de calefacción) o en lugares donde la temperatura pueda exceder 104°F (40°C).

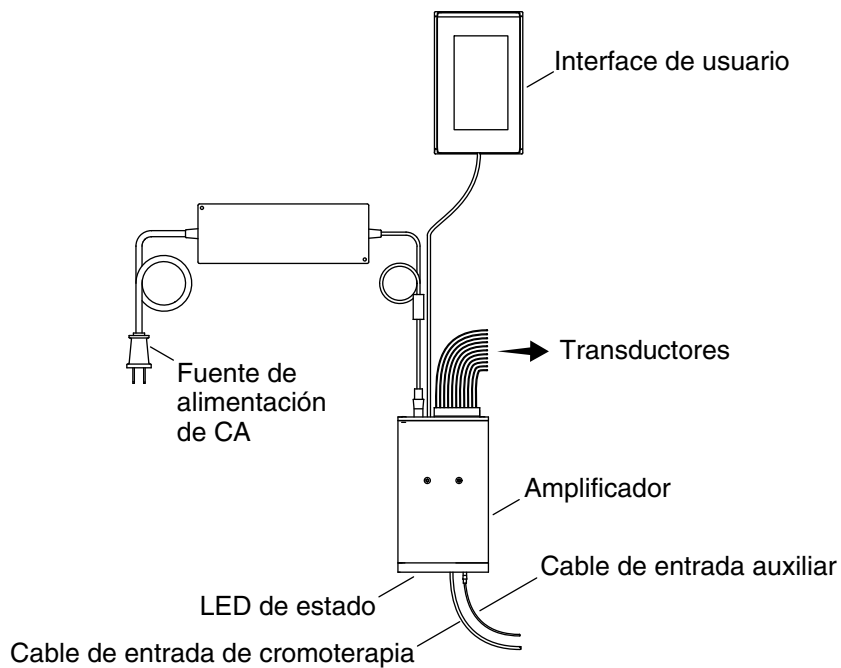
AVISO: Este producto no es resistente al agua. No instale en lugares donde haya humedad excesiva, niveles altos de humedad o condensación.

AVISO: Cumpla todos los códigos de eléctricos y de construcción.

AVISO: Provea acceso sin restricciones para dar servicio al amplificador.

AVISO: Deje un espacio mínimo de 6" (152 mm) alrededor del amplificador para que fluya bien el aire.

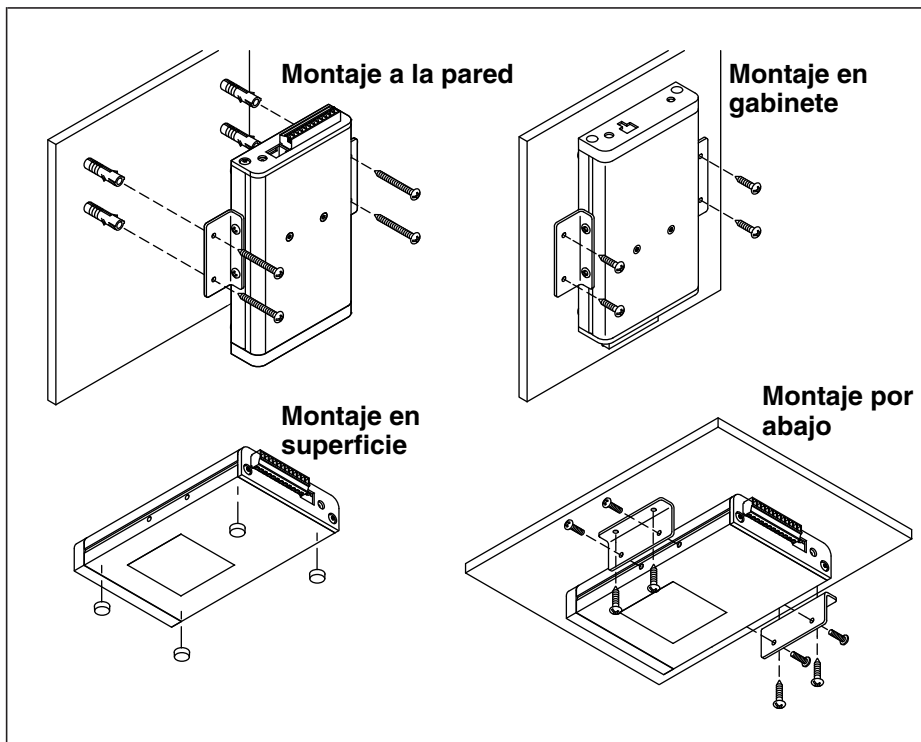
- Antes de comenzar esta instalación determine la ubicación para el amplificador y para las bocinas. Pruebe el rango BLUETOOTH® entre el amplificador y su dispositivo inalámbrico cuando elija la ubicación del amplificador. En condiciones normales, el rango de alcance máximo es 30' (9,14 m).
- El amplificador se puede instalar en cualquier orientación. Utilice los soportes o las patas de goma que se incluyen para la configuración de su instalación.
- Ubique el amplificador cerca de un tomacorriente de 15 A 120 V. Instale un tomacorriente GFCI o RCD dentro de la estructura de postes de madera y a menos de 24" (610 mm) del amplificador.
- Un electricista calificado debe instalar los tomacorrientes.
- Instale el tomacorriente antes de instalar el amplificador.
- Este amplificador cumple las normas de CE, FCC, IC y RoHS.



1. Preparación

- ❑ Planee la ubicación del amplificador, de manera que los puertos delantero y posterior queden accesibles.
- ❑ Para tocar sus archivos personales de música necesita un dispositivo BLUETOOTH inalámbrico o un dispositivo con una conexión de cable estéreo de 3,5 mm.
- ❑ Los cables deben tener suficiente longitud para llegar de la bañera al amplificador.
- ❑ Asegúrese de que el LED de estado quede visible al terminar la instalación.

AVISO: El puerto circular de entrada auxiliar no es un puerto de comunicación Ethernet. No conecte una red Ethernet al puerto de entrada auxiliar. Use el puerto de entrada auxiliar solo para un accesorio estándar.



2. Instalación

PRECAUCIÓN: Riesgo de daños al producto. El amplificador tiene la capacidad de funcionar a temperaturas de hasta 104°F (40°C). No instale cerca de fuentes de calor (como radiadores o registros de calefacción) o en lugares donde la temperatura pueda exceder 104°F (40°C).

AVISO: Instale el amplificador en un lugar seco, y deje un mínimo de 6" (152 mm) de espacio para que fluya bien el aire.

NOTA: Elija la mejor ubicación de montaje para los cables de transductores de entrada y otros cables.

NOTA: Asegúrese de que el LED de estado quede visible al terminar la instalación.

Opciones de instalación

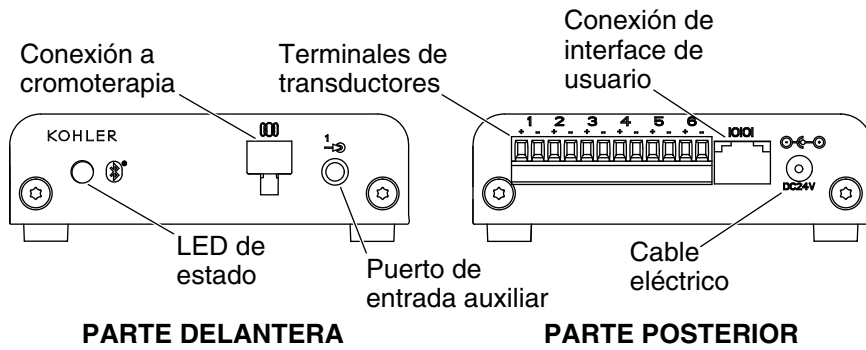
- **Montaje a la pared:** Fije el amplificador en posición vertical con los soportes de montaje, los anclajes y los tornillos cortos que se incluyen.

Instalación (cont.)

- **Montaje en gabinete:** Fije el amplificador en posición vertical con los soportes de montaje y los tornillos cortos que se incluyen.
- **Montaje en superficie:** Fije las cuatro patas de goma al lado inferior del amplificador para proteger la superficie del estante o de la encimera contra rayones.
- **Montaje por abajo:** Fije el amplificador en su lugar con los soportes de montaje y los tornillos cortos que se incluyen.

Instalación en soportes

- Coloque el amplificador con los soportes instalados en el lugar deseado.
- Marque con un lápiz los lugares para los orificios de los soportes.
- Taladre orificios guía o instale anclajes, si es necesario, en los lugares marcados.
- Fije los soportes con los cuatro tornillos que se incluyen.



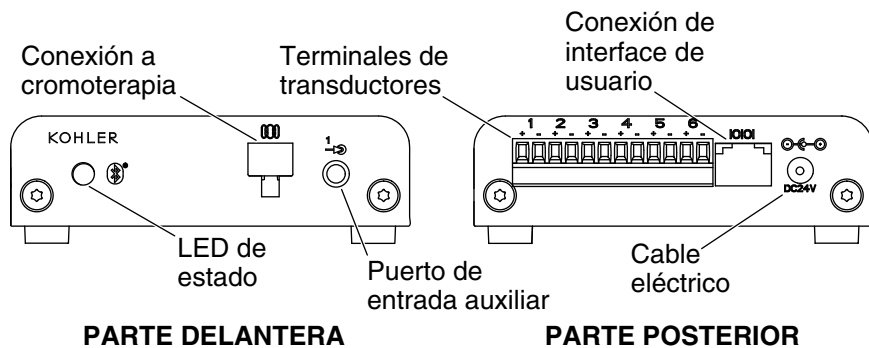
3. Conexión del amplificador

NOTA: Los terminales del transductor y los cables están numerados para identificar las conexiones correctas. Si es necesario, es posible retirar el amplificador para facilitar el proceso de conexión de cables.

NOTA: Se incluye un cable de datos para conectar el amplificador a la interface de usuario.

AVISO: El puerto circular de entrada auxiliar no es un puerto de comunicación Ethernet. No conecte una red Ethernet al puerto de entrada auxiliar. Use el puerto de entrada auxiliar solo para un accesorio estándar.

- Desconecte el suministro eléctrico del amplificador.
- Si cuenta con cromoterapia, conecte el conector de cromoterapia de la bañera a la conexión de cromoterapia en el amplificador.
- Conecte los cables de los transductores a los terminales de los transductores en el amplificador. Los cables blancos con rayas negras se conectan a los terminales positivos (+) y los cables blancos se conectan a los terminales negativos (-).
- Conecte el conector transparente del cable de la interface de usuario a la conexión de la interface de usuario del amplificador.
- Si lo usa, conecte el cable de entrada auxiliar al puerto de entrada auxiliar en el amplificador.
- Vuelva a conectar el suministro eléctrico al amplificador.
- Verifique que se encienda el LED de estado.



4. Funcionamiento

- ❑ Cuando use la entrada auxiliar, ajuste su dispositivo de música a un volumen intermedio después de conectarlo al amplificador, pero antes de enviar la señal de audio del dispositivo.
- ❑ Para escuchar una fuente por BLUETOOTH, vaya a la pantalla AUX de la interfaz de usuario. Para activar, oprima el icono AUX.
- ❑ Las fuentes inalámbricas de BLUETOOTH invalidan las fuentes de entrada auxiliar.
- ❑ Al estar escuchando una fuente de entrada auxiliar se escucha un tono cuando un dispositivo BLUETOOTH se aparea al amplificador. El tono indica que la fuente de la entrada auxiliar ya no está activa.
- ❑ Para escuchar una fuente de la entrada auxiliar, es necesario desaparecer la fuente de BLUETOOTH del amplificador.
- ❑ Al estar escuchando un dispositivo BLUETOOTH apareado con el amplificador, se escucha un tono cuando el dispositivo BLUETOOTH se desaparea del amplificador y deja de estar activo.

Luz del LED de estado

- ❑ **Parpadeo amarillo** = Error del amplificador: Comuníquese con el departamento de servicio al cliente de Kohler.
- ❑ **Parpadeo azul** = Modo de espera: Operación normal - Sin conexión de BLUETOOTH.
- ❑ **Azul continuo** = Operación normal: El receptor BLUETOOTH está apareado con un dispositivo.

Funcionamiento (cont.)

- **Parpadeo verde** = Error de la interface de usuario - Por ejemplo, algún cable suelto o desconectado.

Entrada estéreo de 3,5 mm

- Se puede conectar un dispositivo de audio cableado al puerto de entrada auxiliar en el amplificador.
- La entrada de audio puede estar ligeramente retrasada cuando se conecta inicialmente un dispositivo.

Entrada inalámbrica

- Una vez que se ha apareado un dispositivo BLUETOOTH, la luz LED se torna azul continuo y se intensifica la señal de entrada de audio.
- En el dispositivo BLUETOOTH del usuario, en el amplificador aparece "VibrAcoustic".
- Si requiere una clave para BLUETOOTH, use "0000".

NOTA: Para obtener más información acerca de la operación del sistema, consulte la Guía del usuario.

Resolución de problemas

¡IMPORTANTE! Apague la fuente de alimentación eléctrica antes de dar mantenimiento.

NOTA: Para consultar información sobre piezas de repuesto, visite la página de su producto en www.kohler.com/serviceparts.

Esta guía de resolución de problemas está diseñada únicamente como ayuda general. Si tiene preguntas con respecto al servicio o a la instalación, llame a 1-800-4KOHLER.

Resolución de problemas (cont.)

Tabla de resolución de problemas

Síntomas	Causa probable	Acción recomendada
1. Uno o más transductores no producen sonido.	A. El cable de alguno de los transductores no está bien conectado. B. Cables de transductor dañados. C. Falta algún transductor, está suelto o no está conectado.	A. Asegúrese de que los cables estén bien conectados al amplificador. Cada transductor tiene un cable blanco con negro que es el conductor positivo (+), y un cable blanco que es el conductor negativo (-). B. La bañera tiene 6 transductores con cables conectados de forma permanente. Revise los 6 transductores para ver si hay algún cable deshilachado, cortado o suelto. Para obtener ayuda, comuníquese con el departamento de servicio a clientes de Kohler. C. Si falta alguno de los 6 transductores, si hay alguno suelto o no conectado a la bañera, comuníquese con el departamento de servicio a clientes de Kohler.

Resolución de problemas (cont.)

Tabla de resolución de problemas

Síntomas	Causa probable	Acción recomendada
2. La música se detiene aunque se haya seleccionado correctamente una pieza musical, y la luz indicadora de estado parpadea en amarillo.	<p>A. Apagado debido a alta temperatura.</p> <p>B. Error de amplificador.</p>	<p>A. Apague el sistema durante una hora para dejar enfriar la unidad. Asegúrese de que el área donde está instalada la unidad no exceda 104°F (40°C). Vuelva a encender el sistema. El indicador de estado LED debe iluminado en forma continua en azul.</p> <p>B. Comuníquese con el departamento de servicio a clientes de Kohler si el indicador de estado LED del amplificador parpadea en amarillo después de volver a encender el sistema.</p>
3. El LED de estado no se ilumina.	<p>A. La conexión de alimentación eléctrica no está enchufada en el tomacorriente.</p> <p>B. Es posible que la conexión de alimentación eléctrica al amplificador esté suelta o desconectada.</p> <p>C. El tomacorriente no recibe alimentación eléctrica.</p> <p>D. El interruptor de circuito se ha disparado.</p>	<p>A. Enchufe la conexión de alimentación eléctrica al tomacorriente.</p> <p>B. Revise la conexión de alimentación eléctrica al amplificador, y vuelva a conectar si es necesario.</p> <p>C. Asegúrese de que el tomacorriente tenga alimentación eléctrica.</p> <p>D. Restablezca (Reset) el interruptor de circuito.</p>

Resolución de problemas (cont.)

Tabla de resolución de problemas

Síntomas	Causa probable	Acción recomendada
4. No producen sonido los transductores.	<p>A. La pieza musical está en pausa.</p> <p>B. La fuente de entrada auxiliar o de BLUETOOTH no está conectada.</p> <p>C. No se ha seleccionado una experiencia VibrAcoustic en la interface de usuario.</p> <p>D. El amplificador ha sido silenciado.</p> <p>E. El volumen está muy bajo.</p>	<p>A. Asegúrese de que haya una pieza musical tocando. Si la pieza musical está en pausa, oprima la función de reanudar para continuar.</p> <p>B. Asegúrese de que haya una pieza musical tocando proveniente de la entrada auxiliar o de BLUETOOTH.</p> <p>C. Asegúrese de haber seleccionado la experiencia VibrAcoustic.</p> <p>D. En la pantalla de intensidad en la interface de usuario desactive la función de silenciar el amplificador.</p> <p>E. Asegúrese de que el volumen esté lo suficientemente alto.</p>
5. El amplificador no se conecta a mi dispositivo BLUETOOTH.	<p>A. El dispositivo BLUETOOTH no está dentro de rango de alcance.</p>	<p>A. Asegúrese de que el dispositivo BLUETOOTH esté dentro del rango de alcance de su amplificador. En condiciones normales, el rango de alcance máximo es 30' (9,14 m).</p>

Resolución de problemas (cont.)

Tabla de resolución de problemas

Síntomas	Causa probable	Acción recomendada
	B. El dispositivo BLUETOOTH no está apareado al amplificador.	B. Aparee su dispositivo BLUETOOTH al amplificador de acuerdo a las instrucciones de apareamiento de su dispositivo BLUETOOTH.
6. La luz LED de estado está azul, pero la señal de audio es intermitente.	A. La señal del dispositivo BLUETOOTH es débil.	A. Acerque el dispositivo BLUETOOTH al amplificador. En condiciones normales, el rango de alcance máximo es 30' (9,14 m).

Conformidad

Contiene: Kohler Company, Modelo: 1263840, FCC ID: N82KOHLE017, IC: 4554A-KOHLE017, CE: CE2200

Declaración de interferencia de la FCC

Este equipo cumple lo establecido en la sección 15 de las normas de la FCC. La operación de este equipo está sujeta a las siguientes dos condiciones:

1. Este equipo o dispositivo no puede causar interferencia perjudicial, y
2. Este dispositivo debe aceptar cualquier interferencia que reciba, incluida la interferencia que pudiera causar funcionamiento no deseado.

El puerto circular de entrada auxiliar no es un puerto de comunicación Ethernet. No lo conecte a una red Ethernet.

Cualquier modificación o cambio que no haya sido aprobado expresamente por la parte responsable de la conformidad podría invalidar el derecho del usuario a utilizar el producto.

Este equipo ha sido probado, y se ha encontrado que satisface los límites de un aparato digital Clase B, de acuerdo a la sección 15 de las normas de la FCC. Estos límites están diseñados para proveer

Conformidad (cont.)

protección razonable contra interferencia perjudicial en una instalación residencial. Este equipo genera, usa y puede radiar energía de radiofrecuencia y, si no se instala y utiliza en cumplimiento de las instrucciones, puede causar interferencia perjudicial a las comunicaciones de radio. Sin embargo, no se garantiza que la interferencia no pudiera ocurrir en una instalación en particular. Si este equipo causa interferencia perjudicial a la recepción de radio o televisión, lo que se puede determinar al encender y apagar el equipo, se le sugiere al usuario que trate de corregir la interferencia mediante una o más de las siguientes medidas:

- Cambiar la orientación o el lugar de la antena receptora.
- Aumentar la separación entre el equipo y el receptor.
- Conectar el equipo a un tomacorriente en un circuito diferente al que utiliza el receptor.
- Consultar al distribuidor o a un técnico con experiencia en radio/televisión para obtener ayuda.

Declaración de la Industria de Canadá

Este dispositivo cumple las normas RSS de excepción de licencia de la Industria de Canadá. La operación de este equipo está sujeta a las siguientes dos condiciones:

1. Este equipo no debe causar interferencia, y
2. Este equipo debe aceptar cualquier interferencia, incluida la interferencia que pueda causar funcionamiento no deseado.

CAN ICES-3(B)/NMB-3(B)

CE2200

Renuncia de rango y función

BLUETOOTH® es la denominación de una tecnología de frecuencia de radio (RF) de rango corto que funciona a 2,4 GHz. El rango efectivo de la mayoría de dispositivos móviles BLUETOOTH es 10 metros. La tecnología BLUETOOTH está diseñada para usar muy poca corriente. La compatibilidad de la interface del amplificador BLUETOOTH a los dispositivos portátiles/móviles difiere de acuerdo a los diversos dispositivos individuales y, en particular, puede variar de acuerdo a las versiones de software del dispositivo. El rango normal de BLUETOOTH de un dispositivo móvil puede ser de hasta 10 metros; sin embargo, la ubicación de su dispositivo móvil y el entorno de

Renuncia de rango y función (cont.)

instalación del amplificador BLUETOOTH afecta el rango de recepción.

El agua y las paredes pueden actuar como agentes bloqueadores de la señal BLUETOOTH que su dispositivo móvil utiliza para transmitir al amplificador BLUETOOTH. Por lo tanto, la selección de un lugar de instalación que elimine estos obstáculos bloqueadores del rango aumenta el rango efectivo y el rendimiento de su amplificador BLUETOOTH.

Puede probar la recepción BLUETOOTH con unas pruebas sencillas de rango con su dispositivo móvil antes de hacer la instalación permanente. La mejor manera de utilizar el rango corto de BLUETOOTH es asegurarse de que el amplificador BLUETOOTH esté lo más cerca posible al transmisor BLUETOOTH (teléfono móvil, tableta, etc.). Entre menor sea la distancia entre los dos dispositivos, mayor será la confiabilidad de la señal de audio BLUETOOTH, y menor distancia significa menos obstáculos que debe pasar la transmisión; de esta manera hay menos probabilidad de perder la señal de audio.

La compatibilidad del amplificador BLUETOOTH con los dispositivos portátiles/móviles difiere de acuerdo a los diversos dispositivos individuales y, en particular, puede variar de acuerdo a las versiones de software de un dispositivo. Todas las funciones están basadas en las normas de comunicación de toda la industria. La compatibilidad entre el amplificador BLUETOOTH y el dispositivo móvil por lo tanto depende, en gran parte, de la versión de software del dispositivo móvil. Otros factores (como el lugar de instalación, las paredes, la distancia) implican que, en casos individuales, puede ocurrir deterioro esporádico de las funciones en dispositivos que de otra manera funcionan de manera confiable. No todas las funciones están disponibles en todos los países.

Por estas razones, Kohler Co. no puede asumir garantía de la compatibilidad ilimitada y funcionalidad de su dispositivo móvil con el amplificador BLUETOOTH.

La marca y los logotipos BLUETOOTH® son marcas comerciales registradas de Bluetooth SIG, Inc., y el uso de dichas marcas por los proveedores aprobados de Kohler Co. se hace mediante permiso. Las demás marcas y los demás nombres comerciales son de sus respectivos propietarios.

Garantía

GARANTÍA LIMITADA DE UN AÑO

Se garantizan los productos de plomería KOHLER contra defectos de material y mano de obra durante un año a partir de la fecha de instalación.

Kohler Co., a su criterio, reparará, reemplazará o realizará los ajustes pertinentes en los casos en que la inspección realizada por Kohler Co. determine que dichos defectos hayan ocurrido durante el uso normal en el transcurso de un (1) año a partir de la fecha de instalación.

Kohler Co. no se hace responsable de costos de desinstalación o de instalación. **El uso de limpiadores de inodoro que se colocan dentro del tanque anula la garantía.**

Para obtener el servicio de garantía, comuníquese con Kohler Co. a través de su distribuidor, contratista de plomería, centro de remodelación o distribuidor por Internet, o escriba a Kohler Co., Atención: Customer Care Center, 444 Highland Drive, Kohler, WI 53044, EE.UU., o llame al 1-800-4-KOHLER (1-800-456-4537) desde los EE.UU. y Canadá, o al 001-800-456-4537 desde México, o visite www.kohler.com desde los EE.UU., www.ca.kohler.com desde Canadá, o www.mx.kohler.com en México.

TODA GARANTÍA IMPLÍCITA, INCLUIDA LA DE COMERCIALIZACIÓN E IDONEIDAD DEL PRODUCTO PARA UN USO DETERMINADO, SE LIMITA EXPRESAMENTE A LA DURACIÓN DE ESTA GARANTÍA. KOHLER CO. Y/O EL VENDEDOR DESCARGAN TODA RESPONSABILIDAD POR CONCEPTO DE DAÑOS PARTICULARES, INCIDENTALES O INDIRECTOS. Algunos estados/provincias no permiten limitaciones en cuanto a la duración de una garantía implícita o a la exclusión o limitación de daños particulares, incidentales o indirectos, por lo que es posible que estas limitaciones y exclusiones no se apliquen a su caso. Esta garantía le otorga ciertos derechos legales específicos. Además, usted también puede tener otros derechos que varían de estado a estado y de provincia a provincia.

Esta es la garantía exclusiva por escrito de Kohler Co.

1298482-2-A

1298482-2-A

USA/Canada: 1-800-4KOHLER

México: 001-800-456-4537

kohler.com

THE BOLD LOOK
OF **KOHLER**®

©2016 Kohler Co.

1298482-2-A