



Features

- Center drain.
- Chromatherapy lighting allows you to select a preferred color scheme to suit your mood.
- One large pillow and two small pillows.
- Less trim.
- Integral lumbar support.
- 66" (1676 mm) x 25" (635 mm); 27-1/2" (699 mm) in height with pillow

Material

- Acrylic

Hydrotherapy

- Air aspiration "On/Off" feature.
- Waterfall
- Eight fully adjustable Flexjet™ hydrotherapy jets for water flow and direction.
- Four Riverjets.
- Two variable-speed pumps for adjusting hydromassage intensity.
- Built-in 4000 W heater.
- Lighted keypad control.
- Remote control.

Installation

- Drop-in

Required Accessories

K-9398 Whirlpool Trim Kit

Recommended Accessories

K-7167 Clearflo Bath Drain



Codes/Standards

ASME A112.19.7/CSA B45.10
CSA B45.5/IAPMO Z124
ASTM E162
ASTM E662
UL 1795
CSA C22.2 No. 218.2
Greenguard UL 2818 - Gold
CARB P2



KOHLER® One-Year Limited Warranty

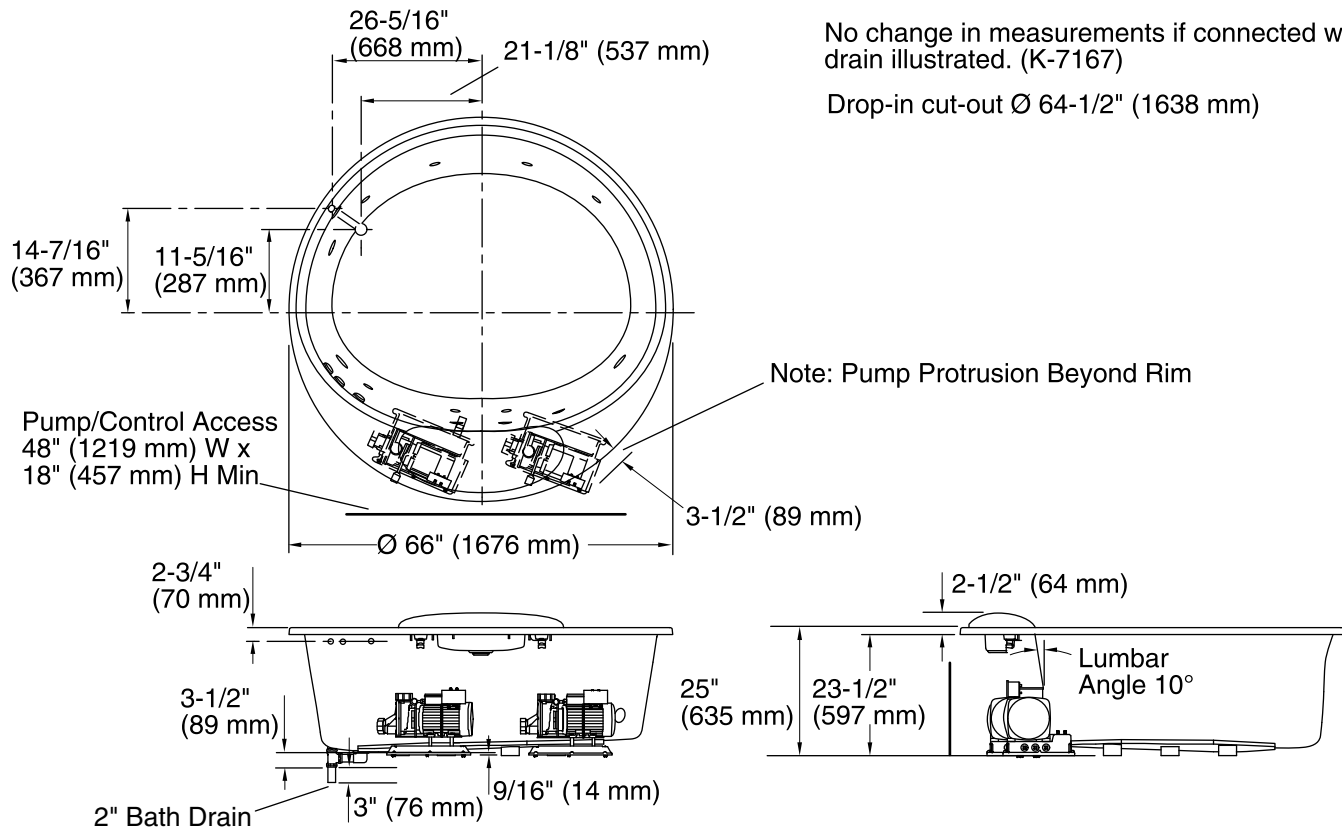
See website for detailed warranty information.

Available Color/Finishes

Color tiles intended for reference only.

Color	Code	Description
-------	------	-------------

	0	White
	96	Biscuit



Required Electrical Service

Two dedicated circuits required, protected with Class A Ground-Fault Circuit-Interrupter (GFCI) or Residual Current Device (RCD).

Pump, Pump: 240 V, 20 A, 50/60 Hz
Heater: 240 V, 20 A, 50/60 Hz

Technical Information

All product dimensions are nominal.

Installation: Drop-in
Drain location: Center
Basin area, bottom: 54-1/2" x 44" (1384 mm x 1118 mm)
Basin area, top: 61-5/8" x 54-1/2" (1565 mm x 1384 mm)
Weight: 260 lbs (117.9 kg)
Minimum floor load: 54 lbs/ft² (263.7 kg/m²)
Water depth: 19" (483 mm)
Water capacity: 196 gal (741.9 L)
Template: Drop-in, 1006705-7, required, included
Electrical component rating: Pump: 240 V, 9 A, 50/60 Hz
Pump: 240 V, 9 A, 50/60 Hz
Heater: 240 V, 17 A, 50/60 Hz, 4000 W
Pump speed: Variable

Notes

Measure your actual product for rough-in details.

Install this product according to the installation instructions.

The hot water supply should be 70% of the capacity of the bath or greater. Installations will vary.

If installing a rim-mount faucet, make sure there is no interference with drain overflow and circulating system before drilling any holes. Consult local and national codes for minimum air gap requirements if installing a spout on the faucet deck.

Model allows fill valving of choice. Use the pre-installed dual fill ports or a separate fill spout if desired.