

### Features

- Metal construction.
- One-piece, self-contained ceramic disc valve allows both volume and temperature control.
- Countertop-mount installation.
- ADA compliant remote lever handle.
- 2" (51 mm) diameter valve.
- 5-1/4" (133 mm) spout reach.
- Touch-activated drain with tailpiece and overflow.
- 1.2 gal/min (4.5 l/min) maximum flow rate [max at 60 psi (4.14 bar)].



**ADA** **CSA B651** **OBC**

### Codes/Standards

ASME A112.18.1/CSA B125.1

NSF 61

NSF 372

All applicable US Federal and State material regulations

DOE - Energy Policy Act 1992

EPA WaterSense®

California Energy Commission (CEC)

ADA

ICC/ANSI A117.1

CSA B651

OBC

### KOHLER® Faucet Lifetime Limited Warranty

See website for detailed warranty information.

### Available Color/Finishes

*Color tiles intended for reference only.*

Color	Code	Description
-------	------	-------------



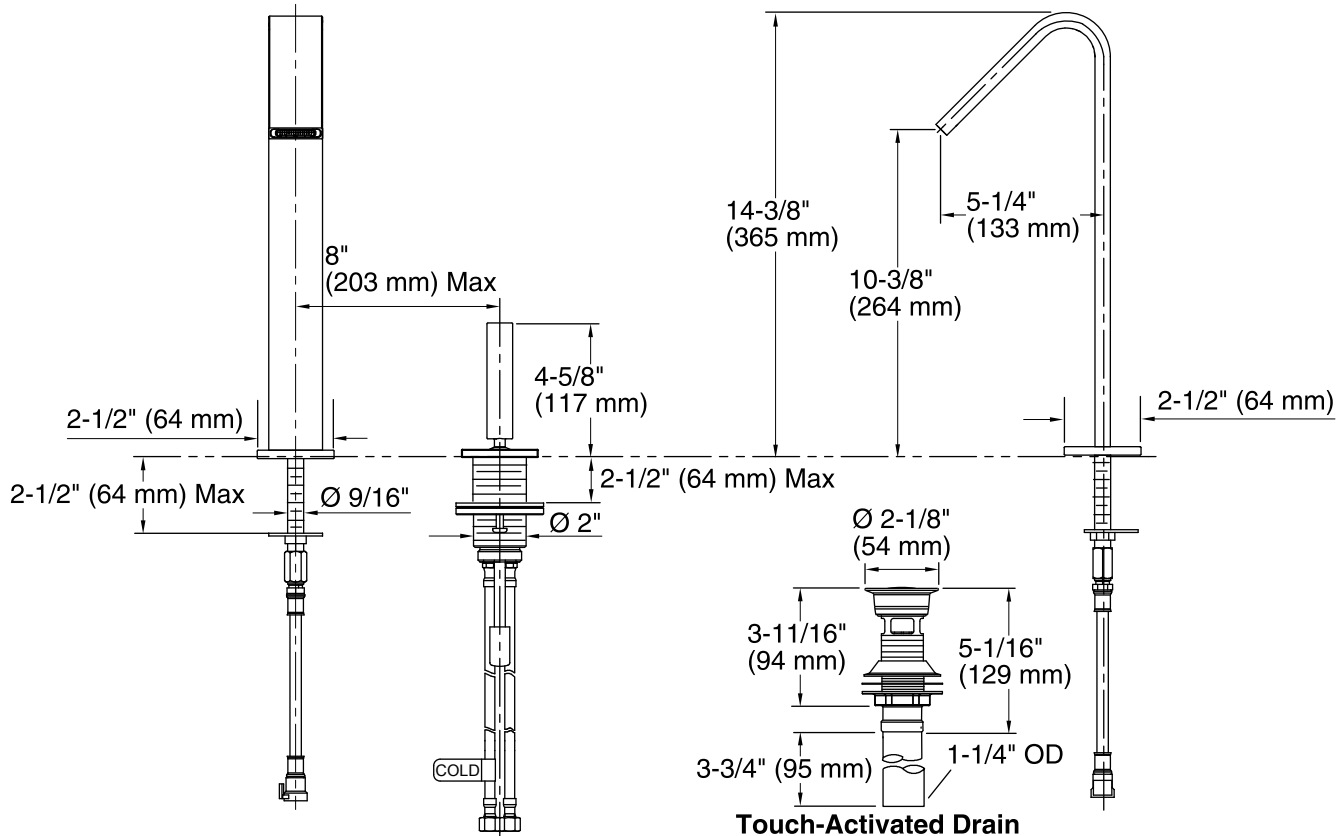
CP Polished Chrome



SN Vibrant® Polished Nickel



BN Vibrant® Brushed Nickel



**Touch-Activated Drain**

### Technical Information

All product dimensions are nominal.

Drain included: YES

Drain tailpiece included: YES

### Spout:

Spout reach: 5-1/4" (133 mm)

### Faucet:

Flow rate: 1.2 gal/min (4.5 l/min)

Pressure: 60 psi (4.1 bar)

### Notes

Install this product according to the installation guide.

**NOTICE:** Due to the non-standard 2" (51 mm) diameter of the remote valve, the remote valve cannot be mounted through a standard 1-3/8" (35 mm) faucet hole of a sink. Choose a sink without faucet holes, then mount the faucet and remote valve through the countertop. Refer to the countertop manufacturer's instructions for proper hole drilling.

ADA, OBC, CSA B651 compliant when installed to the specific requirements of these regulations.