

Features

- KOHLER® cast iron.
- Under-mount.
- Oval basin.
- With overflow.
- Can accommodate single-hole center-mount or widespread faucet.
- 4-inch centers.
- 18-1/4" (464 mm) x 11" (279 mm)

Recommended Accessories

K-8998 P-Trap

Components

Additional included component/s: 1193643 Basin Clamps.



ADA **CSA B651** **OBC**

Codes/Standards

ASME A112.19.1/CSA B45.2
ADA
ICC/ANSI A117.1
CSA B651
OBC




KOHLER® Lifetime Limited Warranty for Cast Iron Components

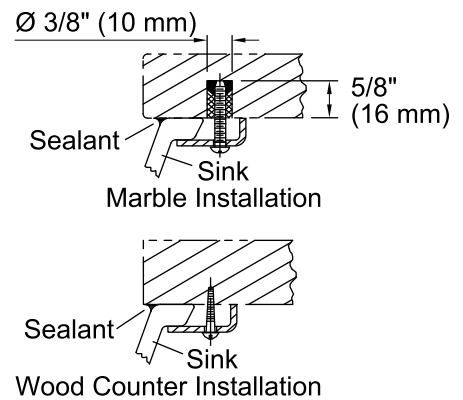
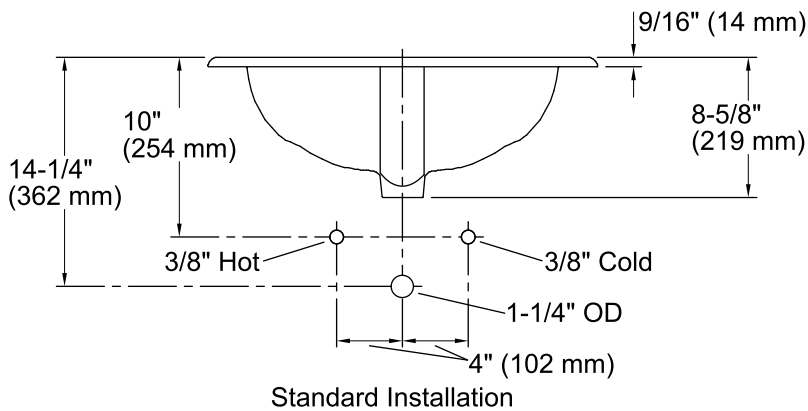
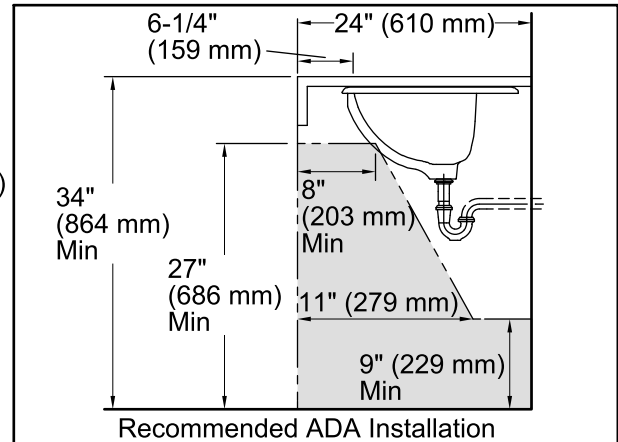
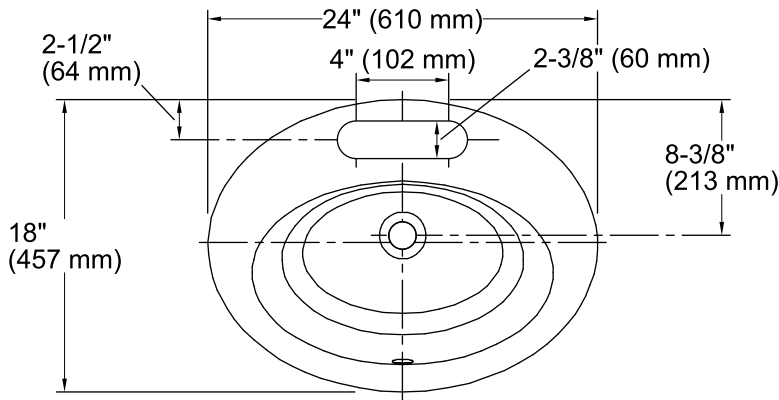
See website for detailed warranty information.

Available Color/Finishes

Color tiles intended for reference only.

| Color | Code | Description |
|-------|------|-------------|
|-------|------|-------------|

| | | |
|--|----|---------|
|  | 0 | White |
|  | 96 | Biscuit |
|  | 47 | Almond |



Technical Information

All product dimensions are nominal.

| | |
|-----------------------|---|
| Bowl configuration: | Single |
| Installation: | Under-mount |
| Bowl area | Length: 18-1/4" (464 mm) Width: 11" (279 mm) Water depth: 4-3/4" (121 mm) |
| Number of deck holes: | 1 |
| Faucet hole(s): | 2-3/8" (60 mm) |
| Drain hole: | 1-3/4" (44 mm) |
| Template: | 114635-7, required, included |

Notes

Install this product according to the installation instructions.

ADA, OBC, CSA B651 compliant when installed to the specific requirements of these regulations.