



**Hudson™**  
Wall-mount Bathroom Sink  
**K-2805**

**Features**

- KOHLER® Cast Iron.
- Wall-mount.
- Rectangular basin.
- With overflow.
- Single faucet hole.
- Designed for commercial use.
- 19" (483 mm) x 17" (432 mm)

**Recommended Accessories**

K-8998 P-Trap

**Components**

Additional included component/s: Hanger.



ADA

**Codes/Standards**

ASME A112.19.1/CSA B45.2

ADA

ICC/ANSI A117.1

**KOHLER® Lifetime Limited Warranty  
for Cast Iron Components**

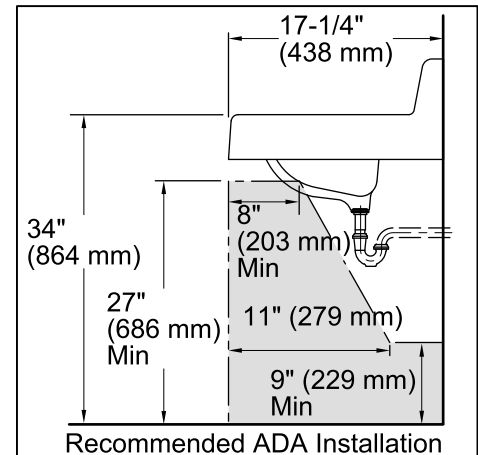
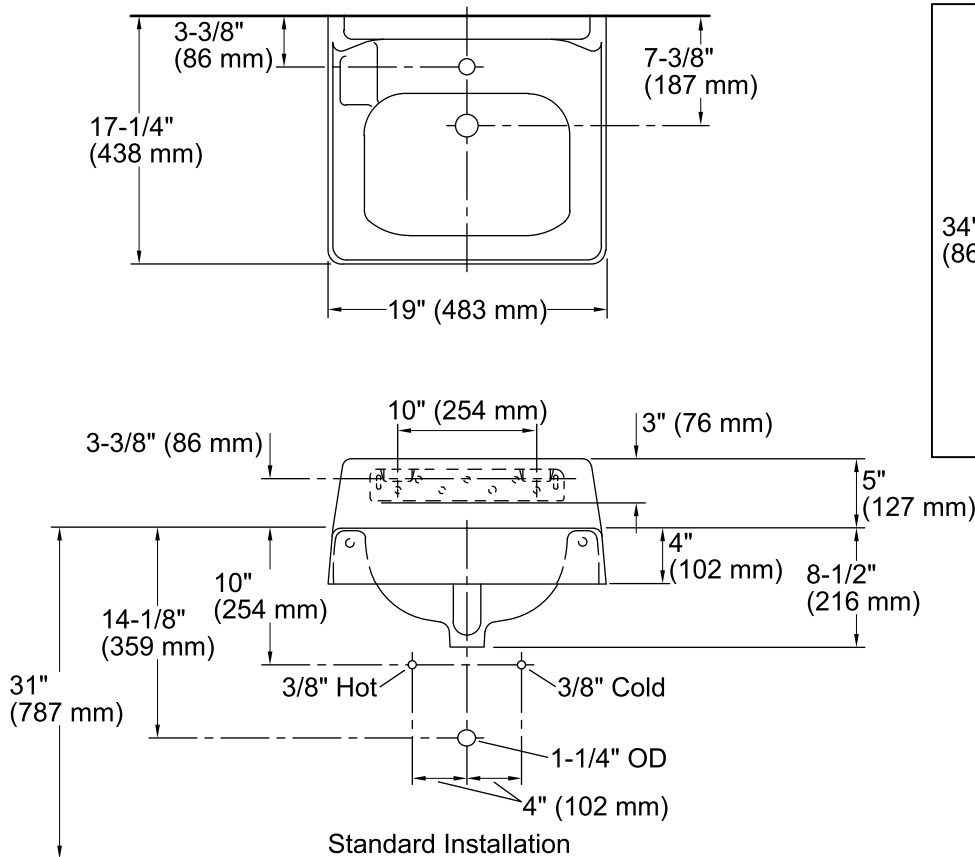
See website for detailed warranty information.

**Available Color/Finishes**

*Color tiles intended for reference only.*

**Color Code Description**

■ 0 White



### Technical Information

All product dimensions are nominal.

Bowl configuration:	Single
Installation:	Wall-mount
Bowl area (Only)	Length: 15" (381 mm) Width: 10" (254 mm) Water depth: 5" (127 mm)
Number of deck holes:	1
Faucet hole(s):	1-3/8" (35 mm)
Drain hole:	1-3/4" (44 mm)

### Notes

Install this product according to the installation instructions.

ADA compliant when installed to the specific requirements of these regulations.