



Bakersfield™

Undermount single-bowl kitchen sink
K-5832-5U

Features

- 33" (838 mm) minimum base cabinet width.
- Single bowl.
- 8" (203 mm) depth.
- Five oversized faucet holes.
- Oversized holes allow for easy installation of faucets and accessories.
- Sink drain with strainer sold separately.

Material

- KOHLER® enameled cast iron.

Installation

- Undermount installation kit not included.
- Undermount.

Recommended Products/Accessories

- K-6517 Sink Rack
- K-6539 Drainboard with Sink Rack
- K-8801 Sink drain and strainer with tailpiece
- K-8799 Sink drain and strainer basket
- K-11352 Disposal Flange with Stopper
- K-9000 P-Trap
- 1411886 Undermount sink kit 23"
- K-23726 Drain treatment
- K-23725 Cast iron cleaner



Codes/Standards




ASME A112.19.1/CSA B45.2

KOHLER® Enameled Cast Iron Kitchen Sink Lifetime Limited Warranty

See website for detailed warranty information.

Available Colors/Finishes

Color tiles intended for reference only.

Color	Code	Description
	0	White
	96	Biscuit
	7	Black Black™

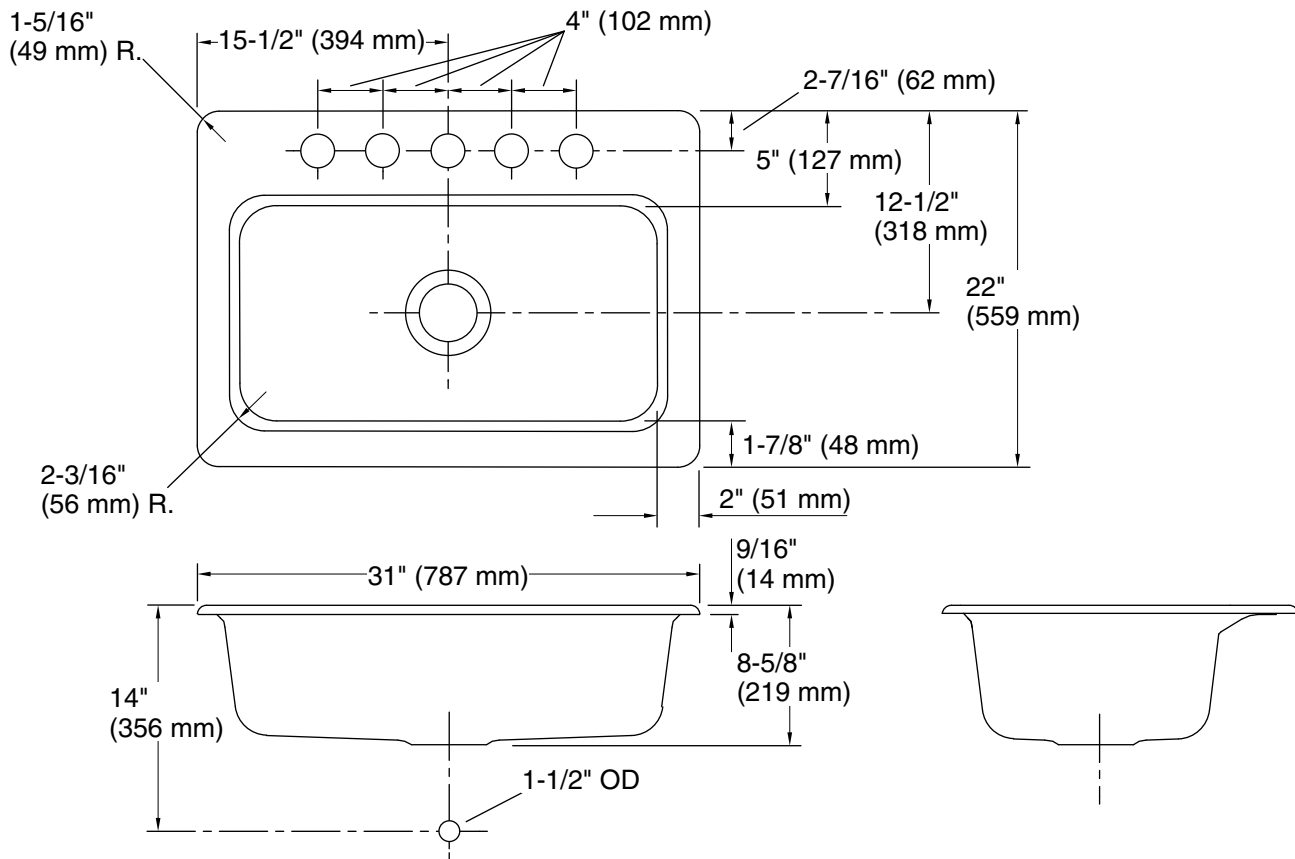
1-800-4KOHLER (1-800-456-4537)

Kohler Co. reserves the right to make revisions without notice to product specifications.

For the most current Specification Sheet, go to www.kohler.com.

5-15-2022 03:30 - US/CA

THE BOLD LOOK
OF **KOHLER**®



Technical Information

All product dimensions are nominal.

Bowl configuration:	Single
Installation:	Undermount
Min. base cabinet width:	33" (838 mm)
Bowl area:	Length: 27" (686 mm) Width: 15" (381 mm) Bowl depth: 8" (203 mm)
Number of deck holes:	5
Faucet hole(s):	2-3/8" (60 mm)
Drain hole:	3-5/8" (92 mm)
Template:	1139754-7, required, included

Notes

Install this product according to the installation instructions.

Faucet holes in under-mount fixture are oversized at \varnothing 2-3/8" (60 mm). Drill faucet holes in counter according to fitting rough-in.