



# Underscore® 5' BubbleMassage™ Whirlpool Bath K-1849-XH2G



## Features

- End drain.
- Integral lumbar support.
- Slotted overflow allows for deep soaking.
- 60" (1524 mm) x 36" (914 mm) x 21" (533 mm)

## Material

- Acrylic

## Hydrotherapy

- 118-122 BubbleMassage™ airjets.
- Automatic purge cycles remove residual water from air channels after use.
- Variable-speed blower for adjusting hydromassage intensity.
- Variable-speed pump for adjusting hydromassage intensity.
- Eight fully adjustable Flexjet™ hydrotherapy jets for water flow and direction.
- Zones of Control™ feature allows you to target airjet massage to back, midsection, or feet.
- Built-in 1500 W heater.
- Lighted keypad control.

## Installation

- Drop-in or under-mount.
- Kit required for under-mount installation (sold separately).

## Required Accessories

K-7271 Brass Slotted Overflow Bath Drain

or

K-7272 PVC Slotted Overflow Bath Drain

## Recommended Accessories

K-9497 2-1/2" Keypad Trim

K-9698 Flexjet® Whirlpool Trim Kit

K-24916 Wireless Music Kit

K-534 Under-mount Installation Kit

K-1491 Bath/Whirlpool Pillow

K-1601 Bath/Whirlpool Footstop



## Codes/Standards

ASME A112.19.7/CSA B45.10

CSA B45.5/IAPMO Z124

ASTM E162

ASTM E662

UL 1795

CSA C22.2 No. 218.2

Greenguard UL 2818 - Gold

CARB P2

## KOHLER® One-Year Limited Warranty

See website for detailed warranty information.

## Available Color/Finishes

*Color tiles intended for reference only.*

Color	Code	Description
	0	White
	96	Biscuit
	47	Almond
	NY	Dune
	95	Ice™ Grey
	G9	Sandbar
	33	Mexican Sand™
	K4	Cashmere
	58	Thunder™ Grey
	7	Black Black™

USA/Canada: 1-800-4KOHLER (1-800-456-4537)

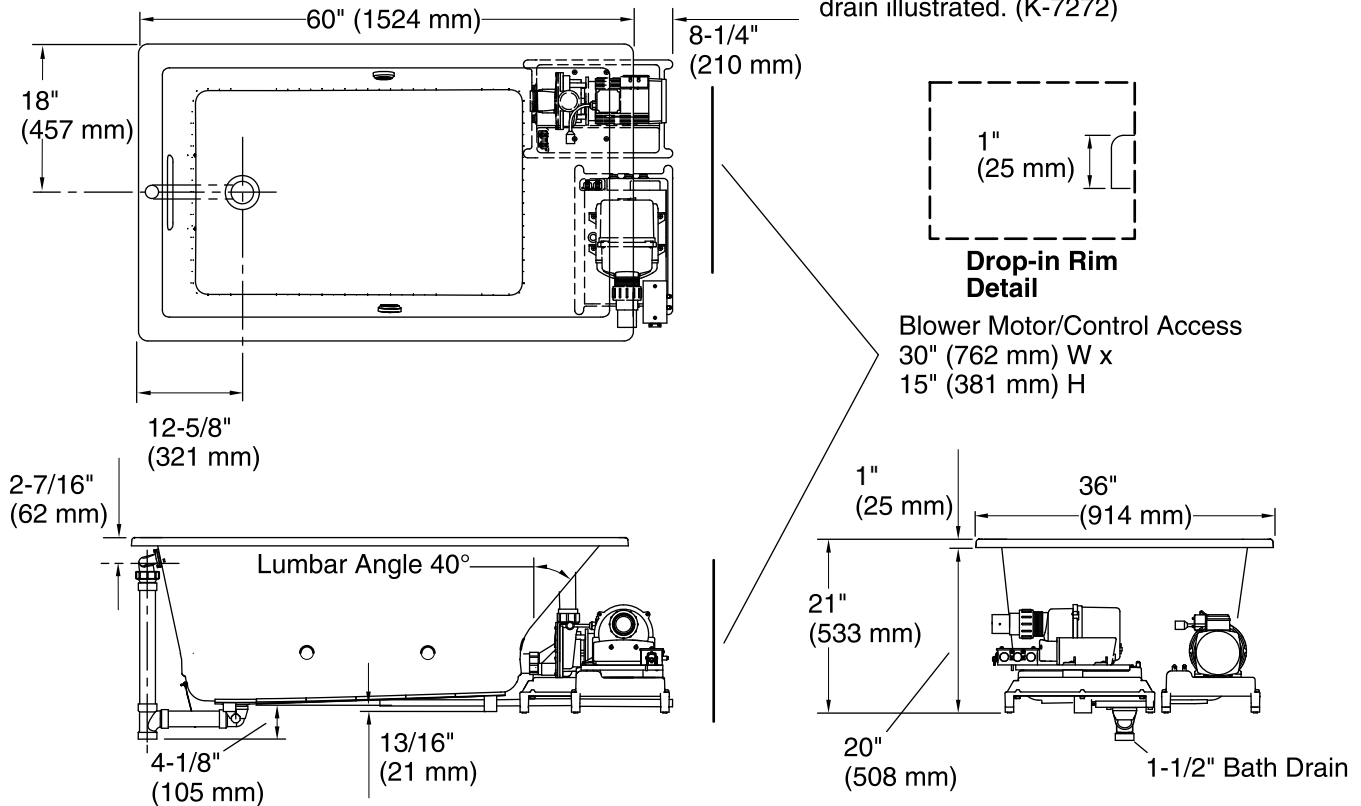
Kohler Co. reserves the right to make revisions without notice to product specifications.

For the most current Specification Sheet, go to [www.kohler.com](http://www.kohler.com).

3-7-2017 06:12

THE BOLD LOOK  
OF **KOHLER**®

No change in measurement if connected with drain illustrated. (K-7272)



### Required Electrical Service

One dedicated circuit required, protected with Class A Ground-Fault Circuit-Interrupter (GFCI) or Residual Current Device (RCD).

Pump, Blower, Heater: 240 V, 20 A, 50/60 Hz

### Technical Information

All product dimensions are nominal.

Installation:	Drop-in
Drain location:	End
Basin area, bottom:	39-9/16" x 24-11/16" (1005 mm x 627 mm)
Basin area, top:	53-5/8" x 29-1/2" (1362 mm x 749 mm)
Weight:	170 lbs (77.1 kg)
Minimum floor load:	56.8 lbs/ft <sup>2</sup> (277.3 kg/m <sup>2</sup> )
Water depth:	17-1/8" (435 mm)
Water capacity:	81.1 gal (307 L)
Template:	Under-mount, K-534, not required, not included
Electrical component rating:	Pump: 240 V, 11 A, 50/60 Hz Blower: 240 V, 5 A, 50/60 Hz, 300 W Heater: 240 V, 50/60 Hz, 1500 W

### Notes

Measure your actual product for rough-in details.

Install this product according to the installation instructions.

The hot water supply should be 70% of the capacity of the bath or greater. Installations will vary.

**IMPORTANT!** Dry fit the drain assembly prior to installing the bath. The bath cannot be installed with all drain components attached.

The pump base extends 8-1/4" (210 mm) beyond the edge of the rim. Modify the framing as needed.