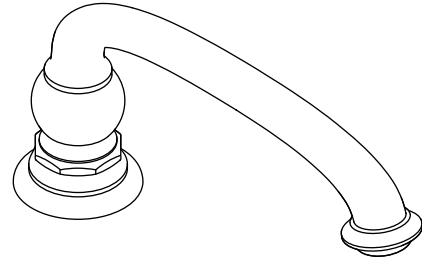


Features

- Brass construction
- Finished deck-mount installation only
- 9" (229 mm) spout reach
- 2-7/8" (73 mm) high non-diverter spout
- Two-handle ceramic side valves
- Variety of handle style options (purchased separately)

**FINISHED DECK-MOUNT SPOUT
K-72778**






Codes/Standards Applicable

- Specified model meets or exceeds the following:
- ASME A112.18.1/CSA B125.1

Colors/Finishes

- CP: Polished Chrome
- Other: Refer to Price Book for additional colors/finishes

Specified Model

Model	Description	Colors/Finishes					
K-72778	Finished deck-mount spout	<input type="checkbox"/> CP		<input type="checkbox"/> Other _____			
Required Accessories							
K-T98071-3M	Deck-mount handles - 6-prong (pair) OR	<input type="checkbox"/> CP	<input type="checkbox"/> Other _____				
K-T98071-4	Deck-mount handles - basic lever (pair) OR			<input type="checkbox"/> CP	<input type="checkbox"/> Other _____		
K-T98071-9M	Deck-mount handles - vertical lever (pair)					<input type="checkbox"/> CP	<input type="checkbox"/> Other _____

Product Specification

The finished deck-mount spout shall be of brass construction and shall be installed only on finished deck material. Spout shall be a 2-7/8" (73 mm) high non-diverter spout with a 9" (229 mm) spout reach and two-handle ceramic side valves. Handles (purchased separately) shall be available in a variety of style options. Spout shall be Kohler Model K-72778-_____.

ARTIFACTS™

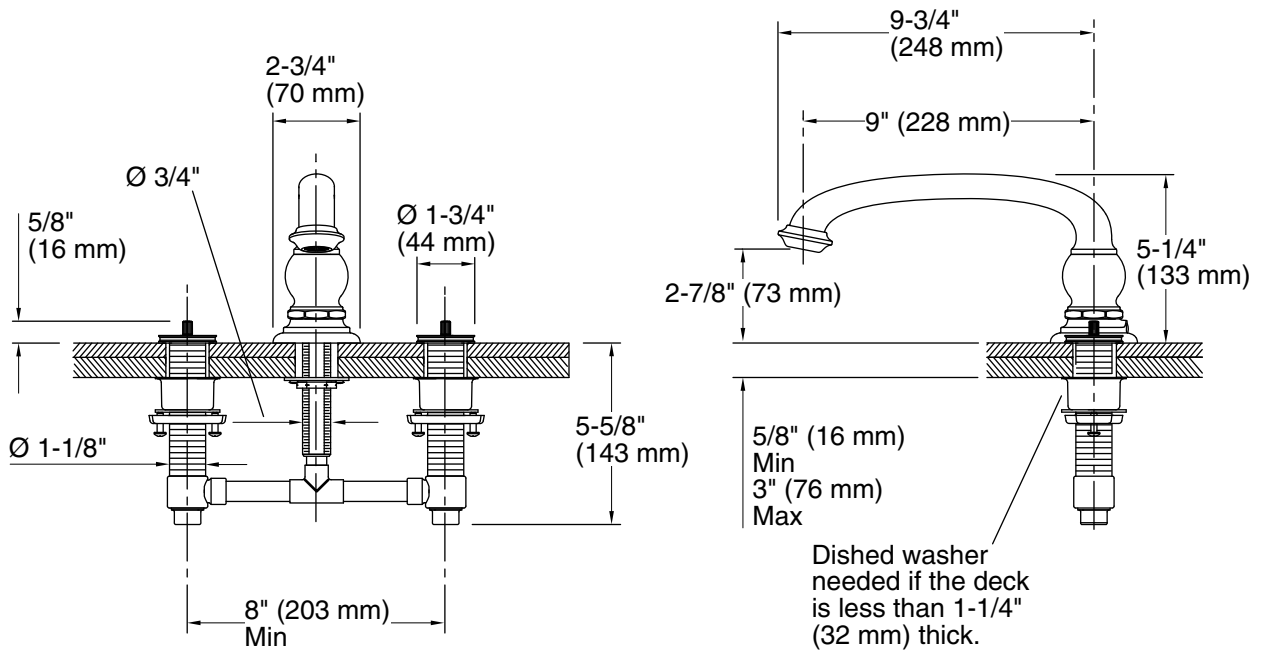
Installation Notes

IMPORTANT! Artifacts deck-mount handles are only compatible with the valve included with the Artifacts deck-mount faucets. Do not install to a K-300 bath valve.

IMPORTANT! For K-T98071-9M models, the handle swings up and toward the user. Ensure that the handle will not interfere with the bath fixture during operation.

Install this product according to the installation guide.

For a finished bath deck less than 5/8" (16 mm) thick, install wood reinforcing material to the underside of the deck. The combined thickness of the reinforcing material and the deck must not exceed 3" (76 mm).



Product Diagram

ARTIFACTS™ FINISHED DECK-MOUNT SPOUT

Page 2 of 2
1205436-4-B

THE BOLD LOOK
OF **KOHLER**®

Features

- Metal construction
- Bath- or deck-mount
- Variety of handle style options

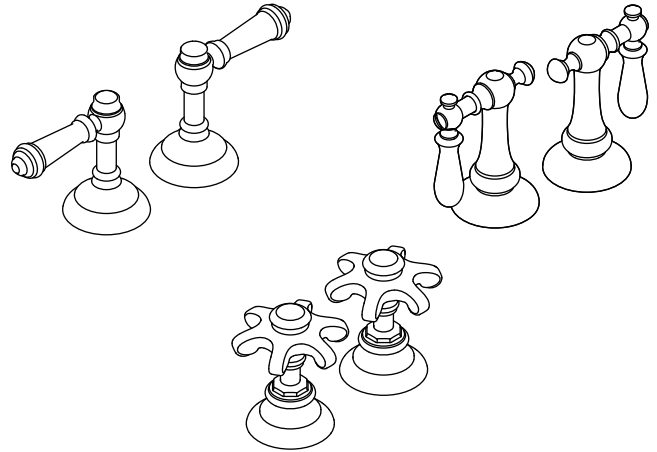
**BATH- OR DECK-MOUNT HANDLES
K-T98071**

ADA

Codes/Standards Applicable

Specified model meets or exceeds the following:




- ADA
- ASME A112.18.1/CSA B125.1



Colors/Finishes

- CP: Polished Chrome
- Other: Refer to Price Book for additional colors/finishes

Specified Model

Model	Description	 ADA		 ADA		 ADA	
		<input type="checkbox"/> CP	<input type="checkbox"/> Other ____	<input type="checkbox"/> CP	<input type="checkbox"/> Other ____	<input type="checkbox"/> CP	<input type="checkbox"/> Other ____
K-T98071-3M	Bath- or deck-mount handles - 6-prong (pair)	<input type="checkbox"/>	<input type="checkbox"/>				
K-T98071-4	Bath- or deck-mount handles - basic lever (pair)			<input type="checkbox"/>	<input type="checkbox"/>		
K-T98071-9M	Bath- or deck-mount handles - vertical lever (pair)					<input type="checkbox"/>	<input type="checkbox"/>

Product Specification

Two-handle bath- or deck-mount handles shall be of metal construction. Handles shall be available in a variety of style options. Handles shall be Kohler Model K-98071-____-____.

ARTIFACTS™

Installation Notes

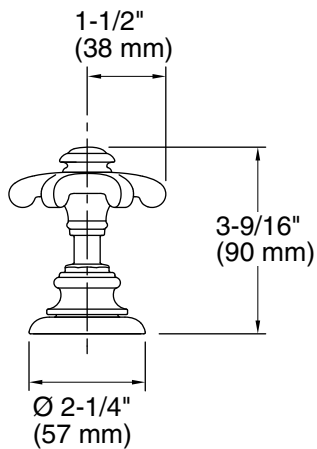
IMPORTANT! Artifacts deck-mount handles are only compatible with the valve included with the Artifacts deck-mount faucets. Do not install to a K-300 bath valve.

IMPORTANT! For K-T98071-9M models, the handle swings up and toward the user. Ensure that the handle will not interfere with the bath fixture during operation.

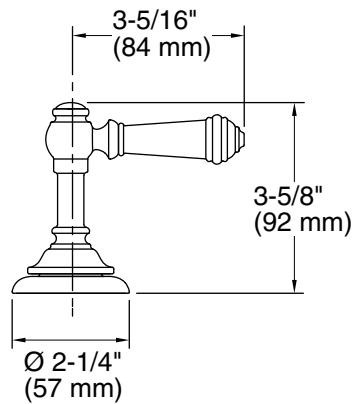
For K-T98071-9M models, the setscrews face the back of the faucet when properly installed. A circular mark on the bottom of the handle indicates the cold handle.

Install this product according to the installation guide.

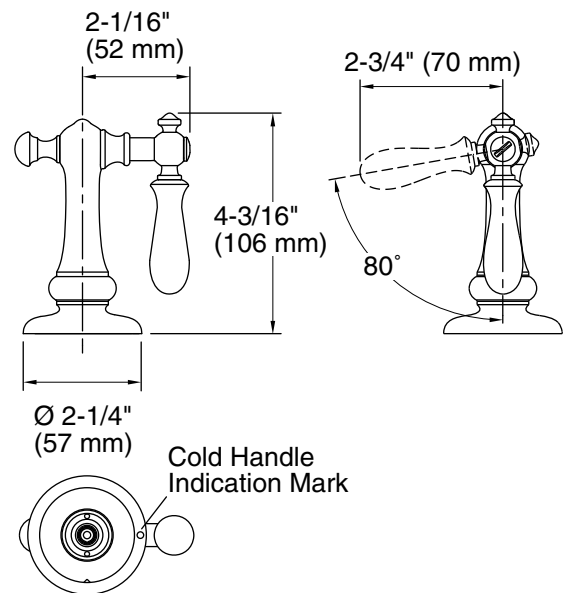
K-T98071-3M



K-T98071-4



K-T98071-9M



Product Diagram