

Mirabelle®

BRADENTON COLLECTION

ONE-PIECE HIGH EFFICIENCY TOILET WITH SKIRTED BOWL

Product Codes:

MIRBD241SWH – (white)

MIRBD241SBS – (biscuit)

- Metal handle
- Vitreous china construction
- 1.28 gpf HET, High efficiency toilet
- EPA WaterSense Certified
- Uses 20% less water than standard low-consumption toilets
- ADA & CSA B651 compliant 16-1/2" high bowl with slow-close seat and cover
- 12" rough-in
- 2" fully glazed trapway with high performance 3" flush valve
- Includes polished chrome trip lever
- Supply not included
- 100% factory flush tested
- Installation, operating, care and maintenance instructions included
- 1 year limited warranty
- cUPC /IAPMO listed
- Meets ASME standard:A112.19.2M
- Meets CSA B45.1
- Recommended accessories
MB423BN - Flush lever, BN
MB423ORB - Flush lever, ORB
MB423PN - Flush lever, PN



See dimensional drawing on back

© 2017 Ferguson Enterprises, Inc. 391238 02/17



Mirabelle®

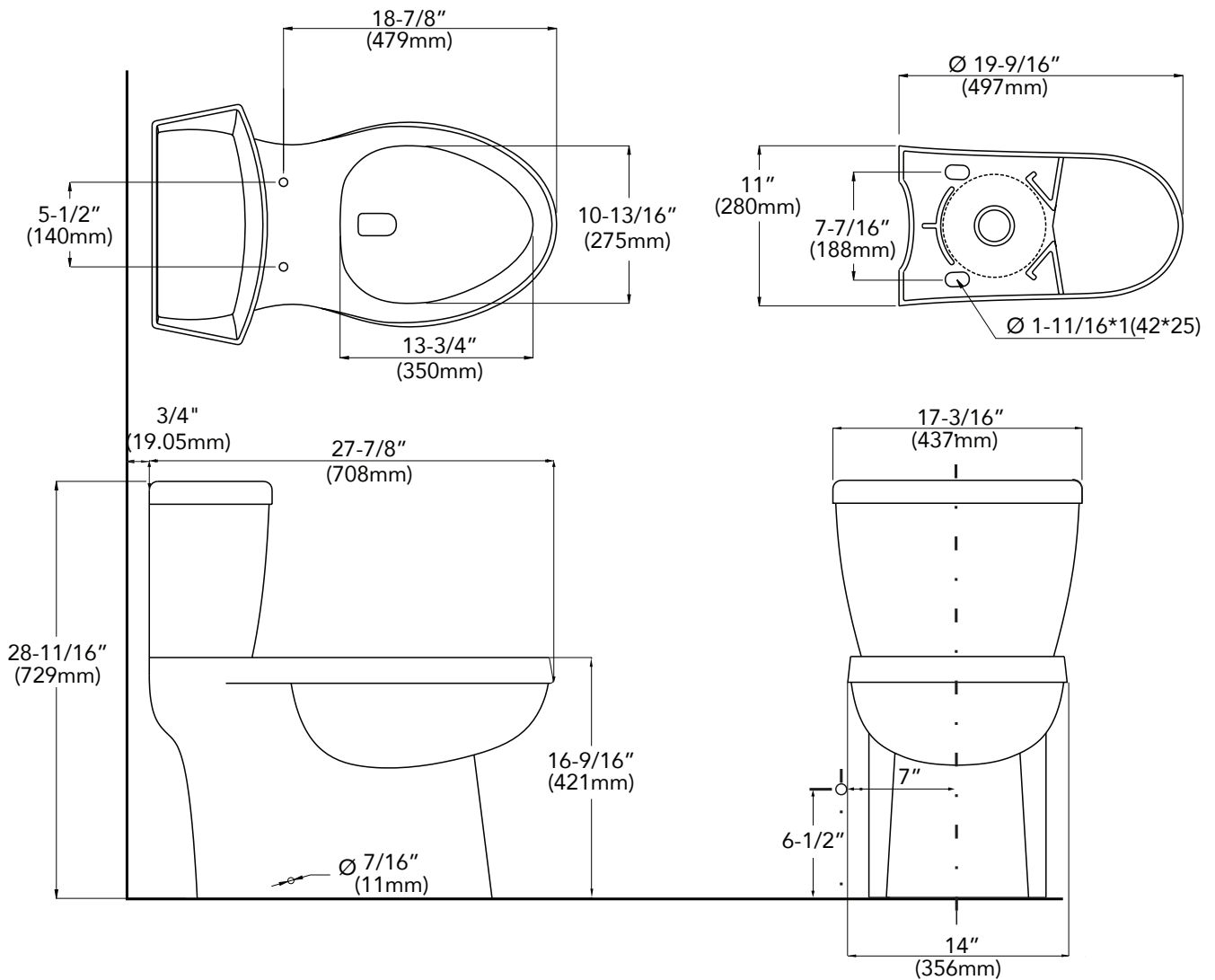
BRADENTON COLLECTION

ONE-PIECE HIGH EFFICIENCY TOILET WITH SKIRTED BOWL

Product Codes:

MIRBD241SWH – (white)

MIRBD241SBS – (biscuit)



Note: All dimensions and specifications are nominal and may vary: Dimensions of 8" and greater have a tolerances of +3%. Dimensions less than 8" have a tolerances of +5%.