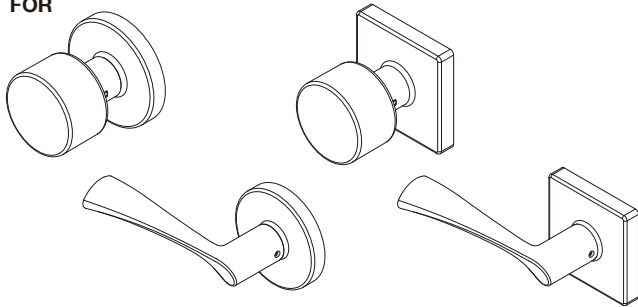


MISENO

USE AND CARE GUIDE

1 FOR



2 Safety Information

Read the precautions and instructions in this manual before installing and using this lock. Save this manual for future reference.



WARNING

If the door needs to be drilled, be familiar with how to use your drill safely, and understand all the door preparation steps before proceeding.



CAUTION

Before beginning the installation, please read and understand the entire manual.

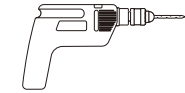


NOTE

To ensure a long lasting finish, remove the locks, or do not install the locks, prior to painting your door. Periodically clean the locks with mild soap and a soft cloth. Do not use abrasives or harsh chemicals, and avoid sharp or scratching objects.

3

Pre-Installation – Tools Required/Hardware Included



Optional

Part	Description	Quantity
AA	Latch/Strike Plate Screws	3
BB	Set screw	1
CC	Allen wrench	1



Note: Not to scale.



AA

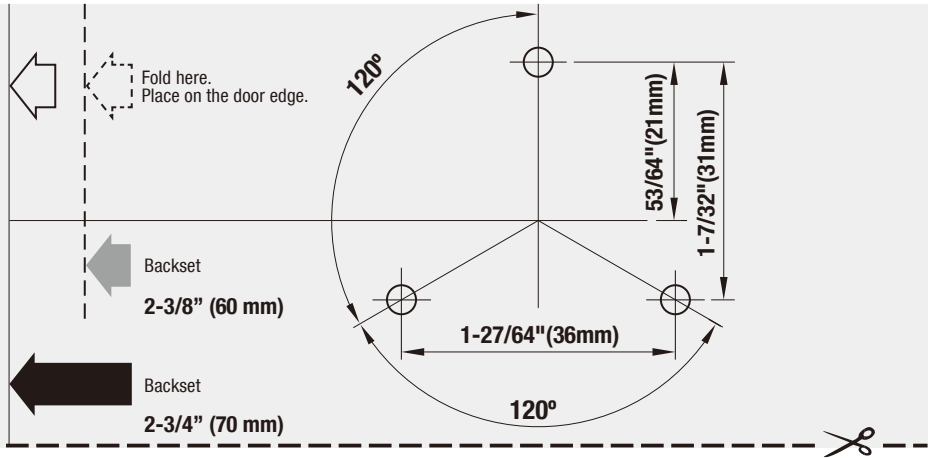


BB



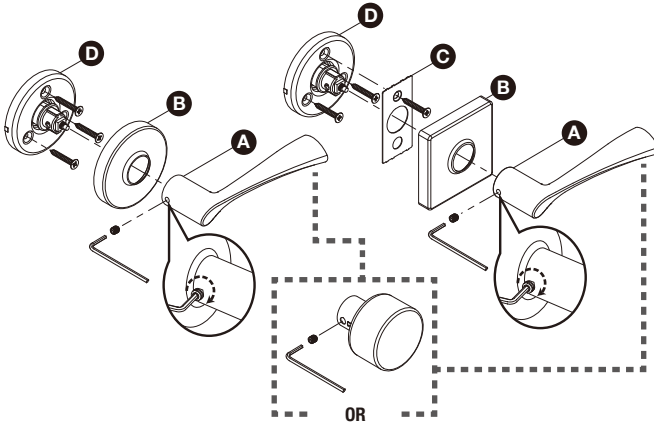
CC

TEMPLATE



NOTE: Double check your product for the correct hole sizes.

Part	Description	Quantity
A	Interior lever	1
B	Interior rose	1
C	Inside square plate	1
D	Interior rose plate	1



4 Installation

