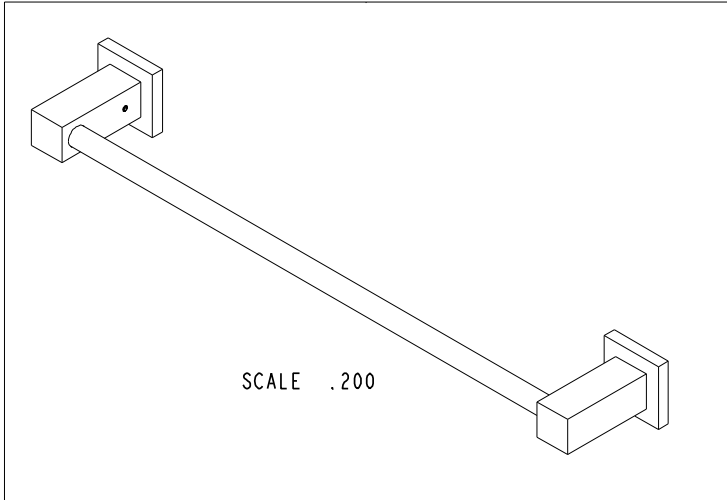


BILL OF MATERIAL (CURRENT LEVEL)				
ITEM	PT/ASSY	DESCRIPTION	TYPE	QTY.
1	40333	ACCESSORY MTG BASE	PART	2
2	10837	ESCUTCHEON ACCESSORY	PART	2
3	10838	POST (TOWEL/TISSUE)	PART	2
4	92000	SCREW 8 - 32 X 1/8 SS	PART	2
5	1-125	HARDWARE KIT	ASSEMBLY	2
6	10123	18 IN. TOWEL BAR	PART	1



COPYRIGHT 2005 BRASSTECH, INC. THESE DRAWINGS AND THE DESIGNS DEPICTED HEREIN ARE THE PROPRIETARY PROPERTY OF BRASSTECH. ANY USE OR REPRODUCTION IS SUBJECT TO THE EXPRESS APPROVAL OF BRASSTECH. UNAUTHORIZED USE IS STRICTLY PROHIBITED. ALL RIGHTS RESERVED.

**BRASSTECH**  
INCORPORATED  
2001 E. CARNEGIE AVE.  
SANTA ANA, CA 92705  
(949) 417-5207

18" TOWEL BAR

ASSY. NO. 19-01

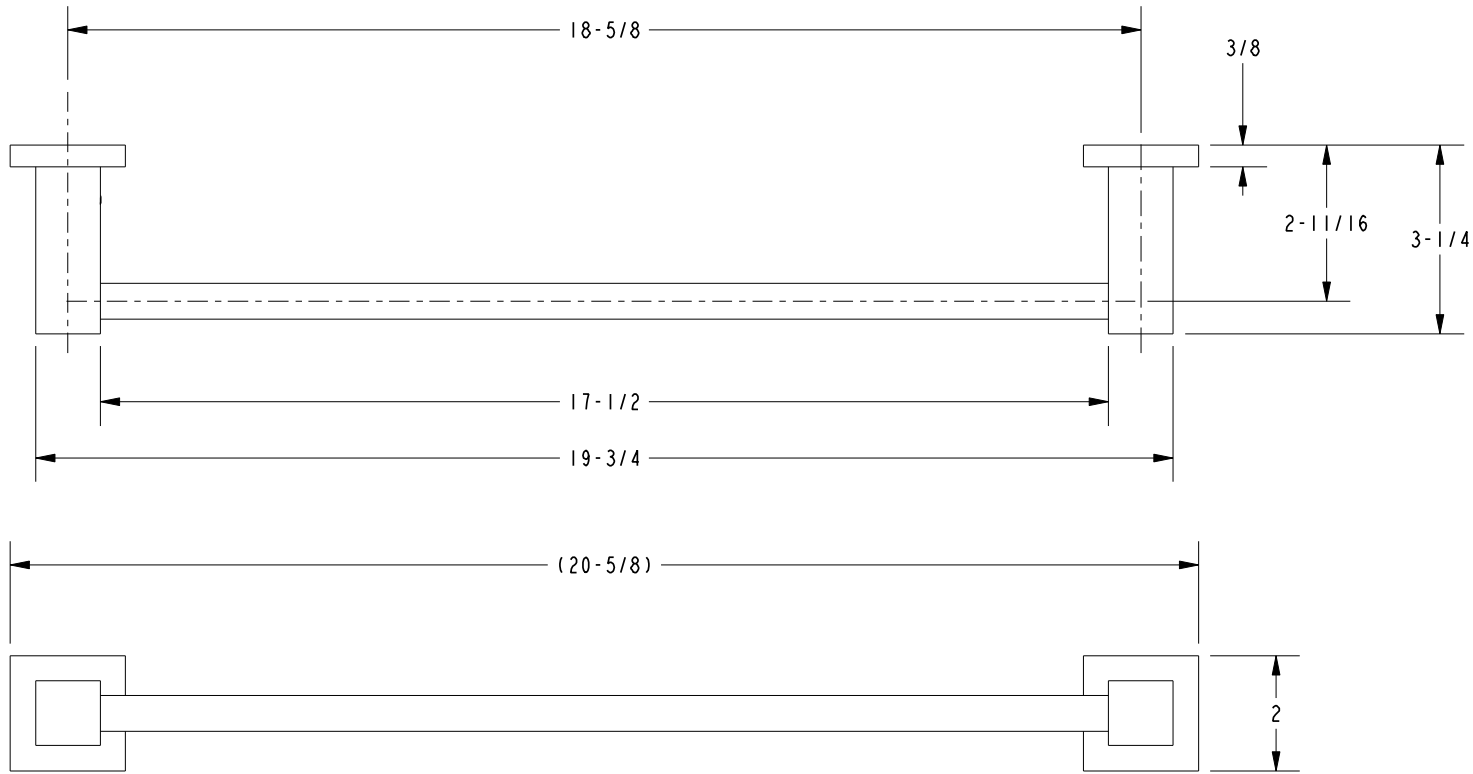
SCALE .350

REF. -

SHEET 1 OF 2

B	EN-1241	11/30/09
A	EO-0360	05/17/04
-	RELEASED	12/19/03
REV	REV DESC	DATE

SPECIFICATION DWG



DIMENSIONS ARE IN INCHES AND AN APPROXIMATION OF A TYPICAL INSTALLATION

COPYRIGHT 2005 BRASSTECH, INC. THESE DRAWINGS AND THE DESIGNS DEPICTED HEREIN ARE THE PROPRIETARY PROPERTY OF BRASSTECH. ANY USE OR REPRODUCTION IS SUBJECT TO THE EXPRESS APPROVAL OF BRASSTECH. UNAUTHORIZED USE IS STRICTLY PROHIBITED. ALL RIGHTS RESERVED.

<b>BRASSTECH</b>		2001 E. CARNEGIE AVE.	
INCORPORATED		SANTA ANA, CA 92705	
		(949) 417-5207	
DWG NO.	19-01	REV	B
SCALE	.300	REF.	-
		SHEET	2 OF 2