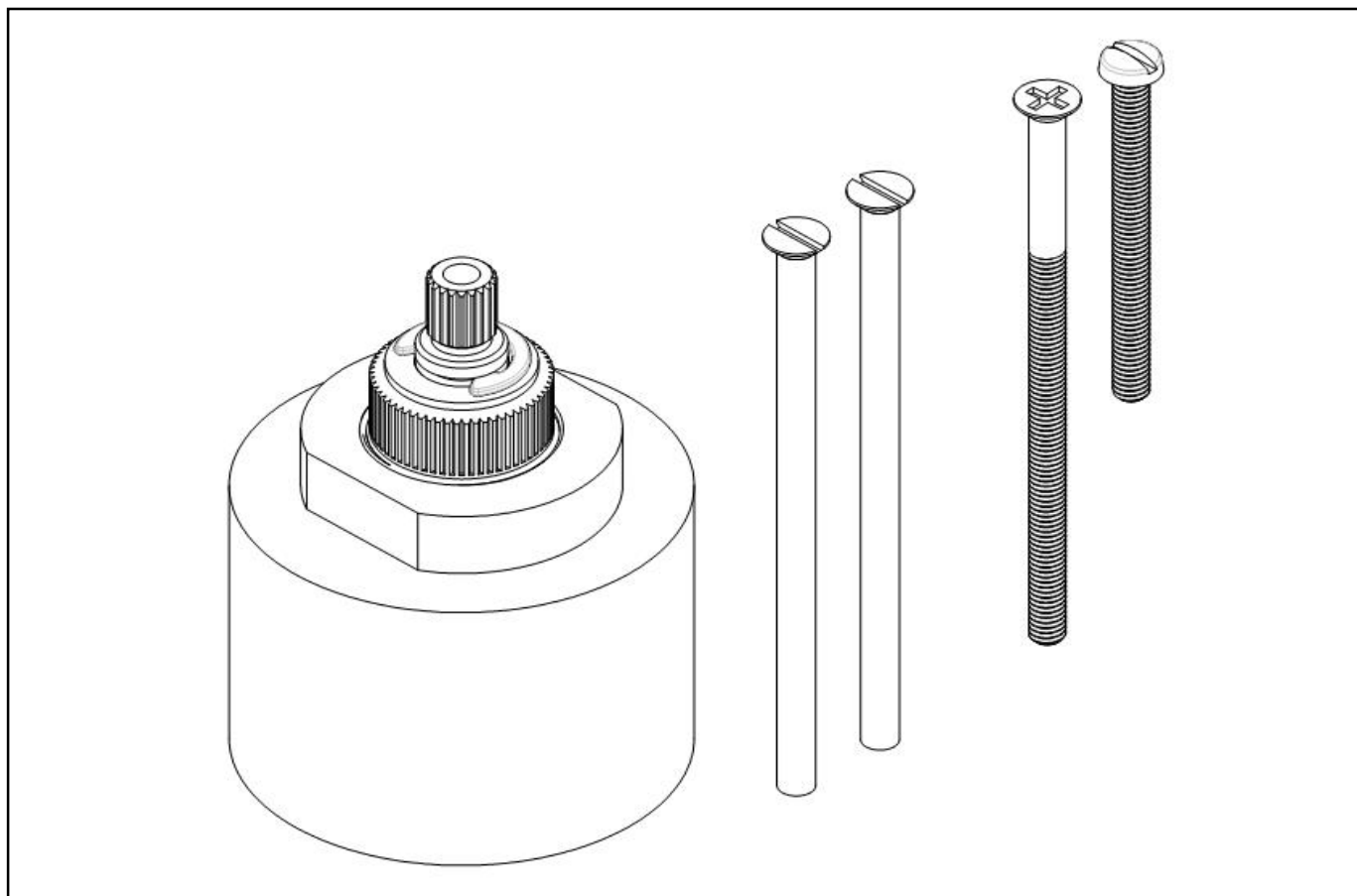


INSTALLATION INSTRUCTIONS

THERMO HAND EXTENSION #2-260

For Valve Model No: I-540



NEWPORT BRASS
Flawless Beauty. From Faucet to Finish.™

2001 CARNEGIE AVE, SANTA ANA CA 92705
(949) 417-5207

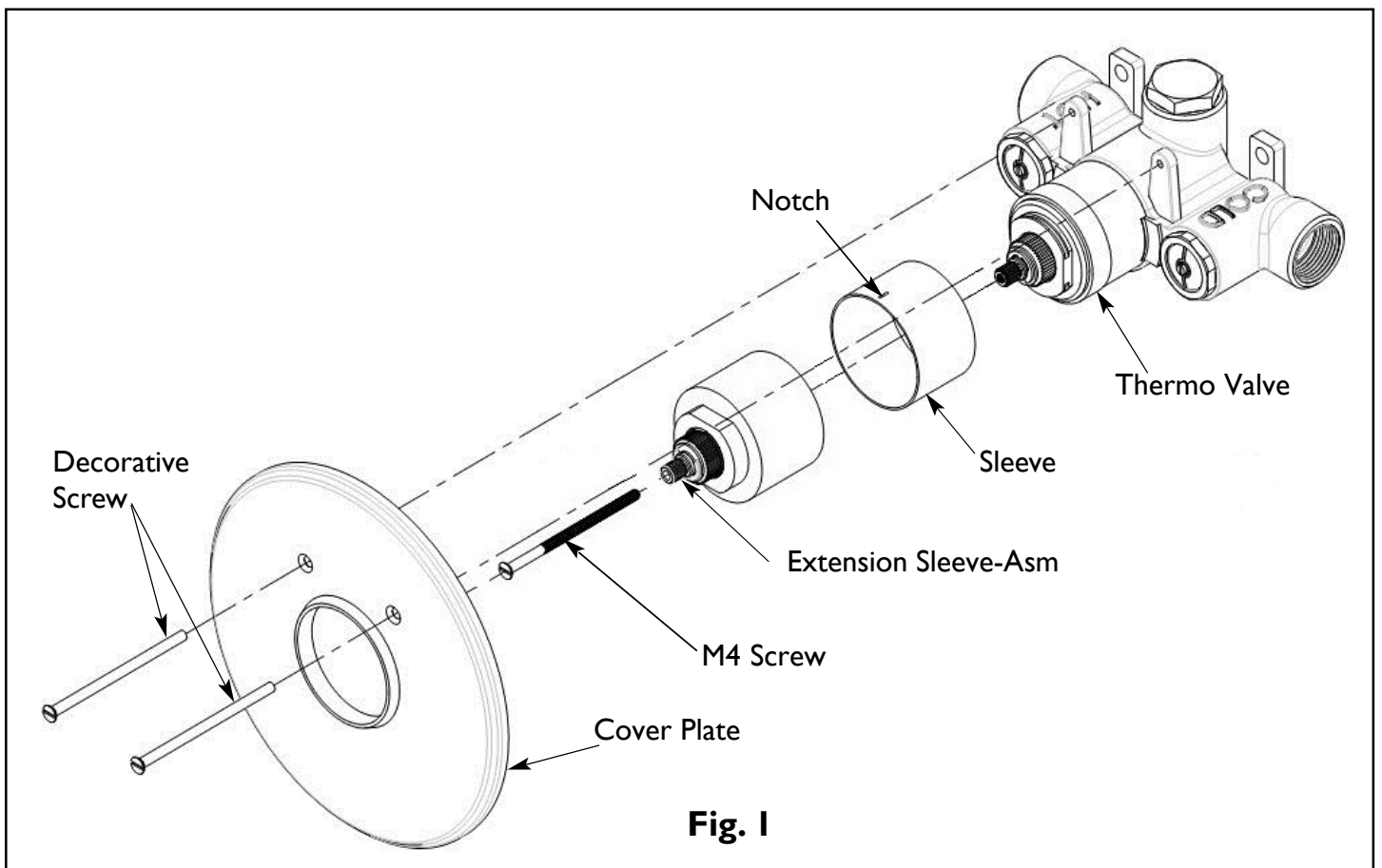
NWP-2-260

WWW.NEWPORTBRASS.COM

Rev A

Installing Extension kit (See Fig.1)

1. Remove and discard mud cover and screws. (Not shown)
2. Slide Sleeve over Thermo Valve with grooved Notch to topside.
3. Slide Extension Sleeve-Asm onto Thermo Valve.
4. Secure Extension Sleeve-Asm with M4 Screw.
5. Slide Cover Plate with gasket over Sleeve/Extension Sleeve-Asm and attach with Decorative Screws provided.



Installing Trim

1. Orient and position Stop Ring as shown below (See Fig. 2).
2. Open shut-off valve and verify water temperature at outlet device by using a thermometer.
NOTE: The safe and factory set temperature is 100°F. If the temperature needs to be adjusted follow step 3, otherwise skip to step 4.
3. Rotate Cartridge Stem to adjust temperature:
(clockwise = colder or counterclockwise = hotter)
4. Remove the M4 Screw from the Extension Sleeve-Asm.
5. Place Bonnet onto Cartridge Stem with Red Button (100°F) positioned straight up and inline with Notch on the Sleeve (See Fig. 3).
6. Secure Bonnet in place using previously removed M4 Screw.
7. Place decorative Handle onto Cartridge Stem and secure with set screw.

