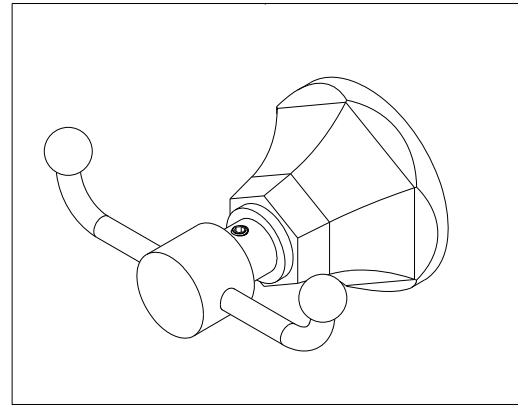
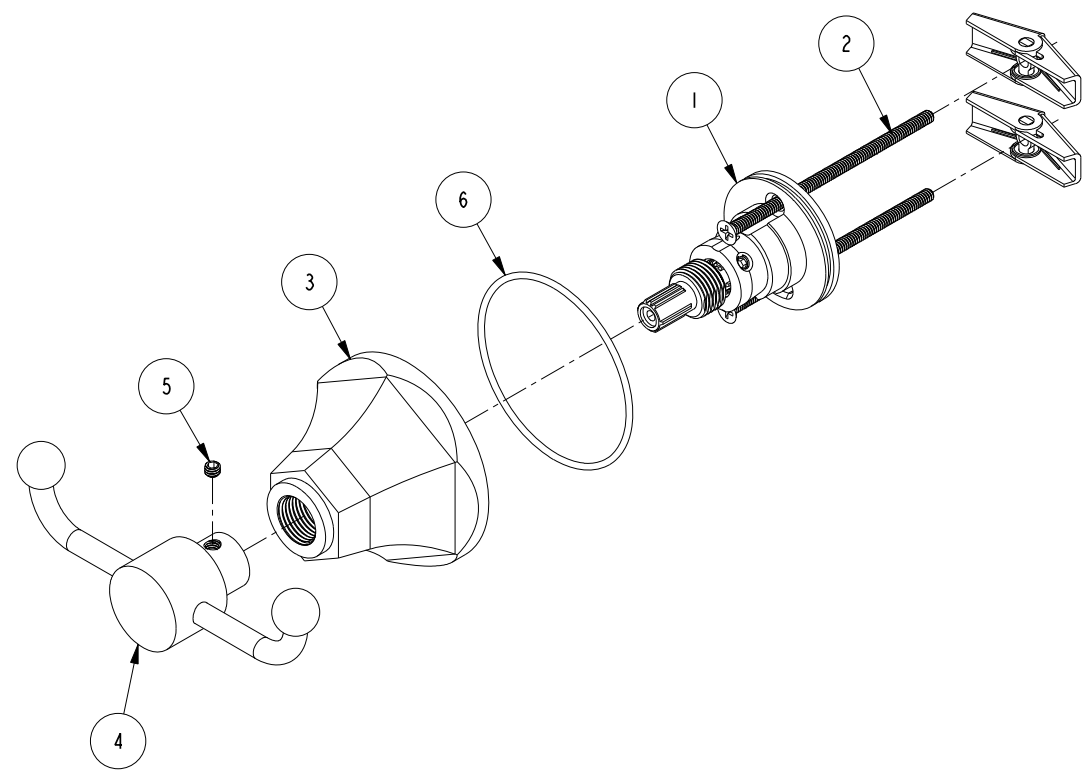


BILL OF MATERIAL (CURRENT LEVEL)				
ITEM	PT/ASSY	DESCRIPTION	TYPE	QTY.
1	1-212	ACCESSORY MTG KIT	ASSEMBLY	1
2	1-125	HARDWARE KIT	ASSEMBLY	1
3	10960	HEX ESCUTCHEON	PART	1
4	7-567	DOUBLE GARMENT HOOK POST ASSY	ASSEMBLY	1
5	92000	SCRW, 8-32 X 1/8 SKT HD CUP PT SS	PART	1
6	91386	O-RING, #2-034, EPDM, 65-75 DURO	PART	1



COPYRIGHT 2005 BRASSTECH, INC. THESE DRAWINGS AND THE DESIGNS DEPICTED HEREIN ARE THE PROPRIETARY PROPERTY OF BRASSTECH. ANY USE OR REPRODUCTION IS SUBJECT TO THE EXPRESS APPROVAL OF BRASSTECH. UNAUTHORIZED USE IS STRICTLY PROHIBITED. ALL RIGHTS RESERVED.

BRASSTECH
INCORPORATED

2001 E. CARNEGIE AVE.
SANTA ANA, CA 92705
(949) 417-5207

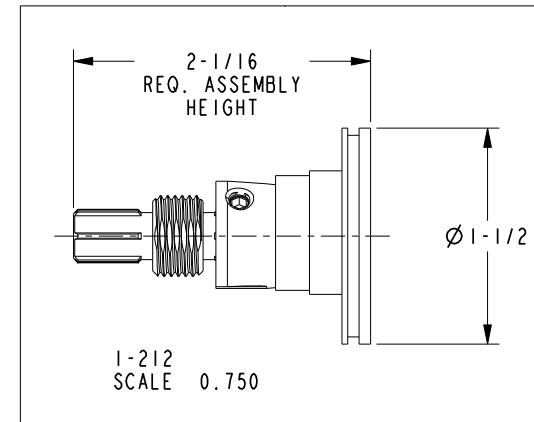
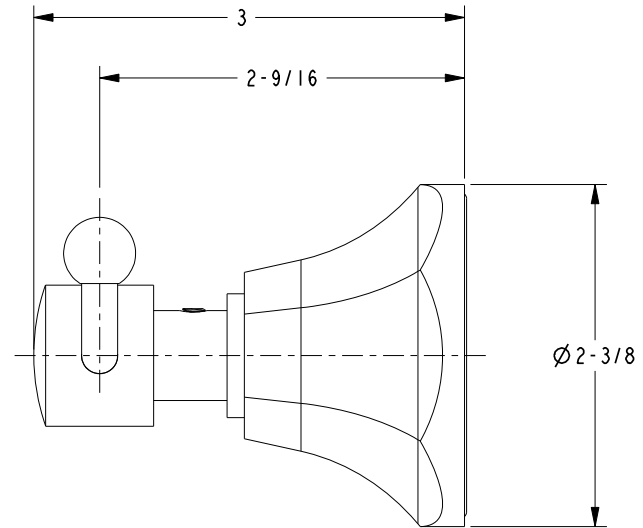
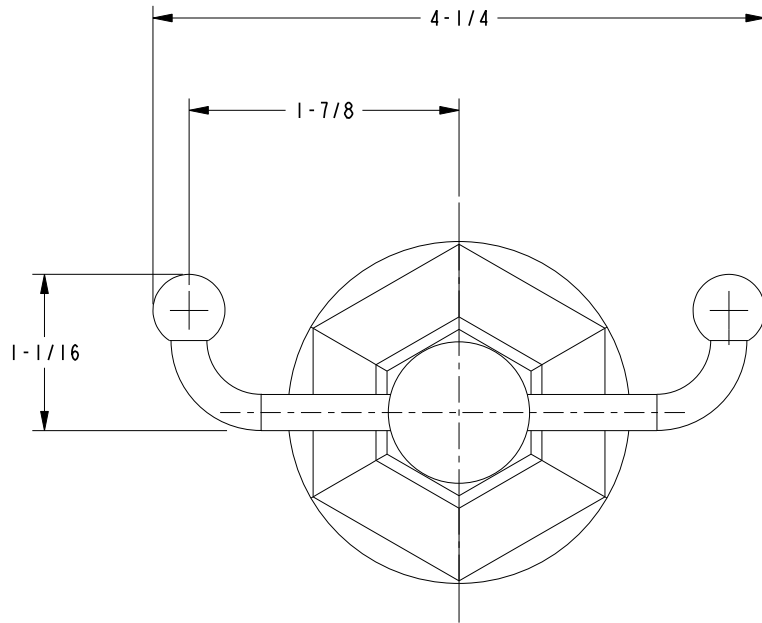
DOUBLE GARMENT HOOK, ASM NT1

ASSY. NO. 24-13

SCALE .500 REF. - SHEET 1 OF 2

C	EN-2266a	04/15/13
B	EN-1241	12/09/09
A	EO-0404	8/25/04
-	RELEASED	08/29/03
REV	REV DESC	DATE

SPECIFICATION DWG



DIMENSIONS ARE IN INCHES AND AN APPROXIMATION OF A TYPICAL INSTALLATION

COPYRIGHT 2005 BRASSTECH, INC. THESE DRAWINGS AND THE DESIGNS DEPICTED HEREIN ARE THE PROPRIETARY PROPERTY OF BRASSTECH. ANY USE OR REPRODUCTION IS SUBJECT TO THE EXPRESS APPROVAL OF BRASSTECH. UNAUTHORIZED USE IS STRICTLY PROHIBITED. ALL RIGHTS RESERVED.

BRASSTECH 2001 CARNEGIE AVE.
INCORPORATED SANTA ANA, CA 92705
(949) 417-5207

DWG NO.	24-13	REV	C
SCALE	1.000	REF.	-
SHEET		2	OF 2