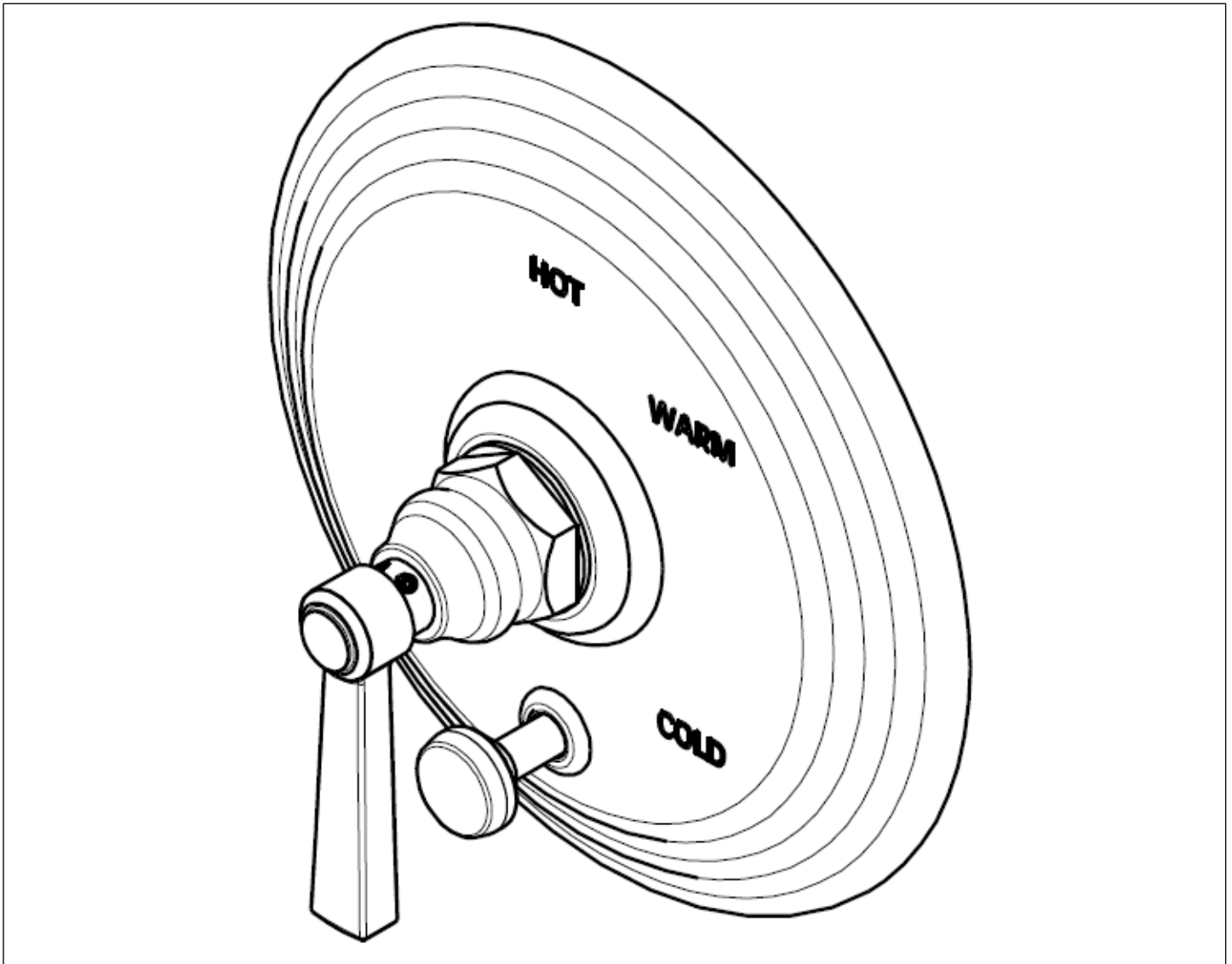


INSTALLATION INSTRUCTIONS

BP TRIM KIT

NEWPORT BRASS
Flawless Beauty. From Faucet to Finish.™



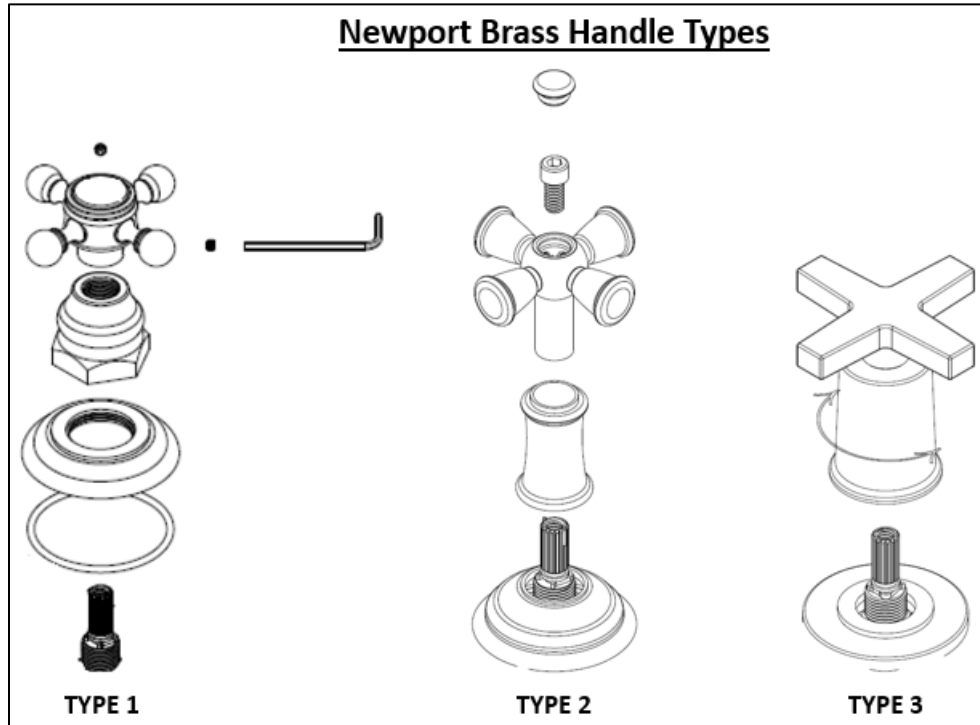
Congratulations on the purchase of your Newport Brass product, an excellent choice that will give you years of quality service and enhance the look and style of your home.

Recommended Installation by a Professional Plumbing Contractor

Note: The use of petroleum base plumbers' putty on our products will nullify the warranty. We recommend the use of clear silicone sealing materials.

Valve Trim Installation

Note: Perform these steps after finished wall has been completed.

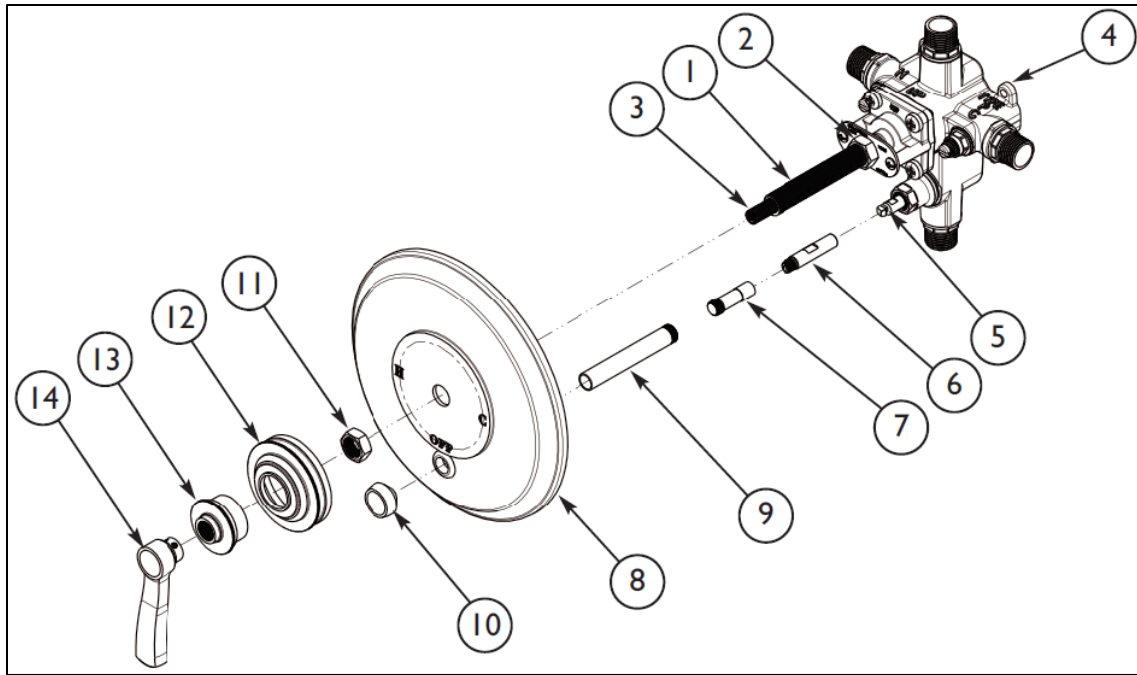


For Type 1 or 2 handles:

1. Assemble the HANDLE HUB (not shown) or ESCUTCHEON (12) and BONNET (13) onto NIPPLE (1) until they bottom out against the cover PLATE (8).
2. Mark the excess exposed NIPPLE (1) length. Remove the ESCUTCHEON (12) and BONNET (13) to trim the excess NIPPLE (1) length.
3. Re-install the ESCUTCHEON (12) and BONNET (13) onto the trimmed NIPPLE (1).
4. Temporarily place HANDLE (14) onto STEM (3), measure DISTANCE A between the bottom of HANDLE (14) and top surface of BONNET (13). For Type 1 handle, trim STEM (3) by DISTANCE A + 1/16" (Ex: If DISTANCE A is 1", the trimmed amount will be 1-1/16"). For Type 2 handle, trim STEM (3) by DISTANCE A + 3/8".

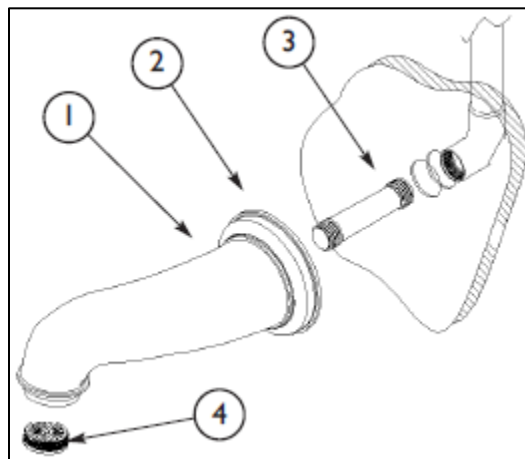
For Type 3 handle:

1. Screw the handle assembly onto NIPPLE (1) until it stops. Measure DISTANCE B between the bottom of the handle assembly to the cover PLATED (8).
2. Trim NIPPLE (1) by DISTANCE B. Trim STEM (3) in the way it is 3/4" longer than the top surface of the trimmed NIPPLE (1). Re-install the handle assembly.



Tub Spout Installation:

1. Place base RING (2) onto bottom of SPOUT (1).
2. Base on finished wall thickness, select appropriate size ½" NPT NIPPLE (3) for SPOUT (1) installation. Note NIPPLE (3) is not included.
3. Apply thread sealant to both ends of NIPPLE (3) and thread SPOUT (1) to NIPPLE (3).
4. Use SPOUT (1) as leverage to thread NIPPLE (3) into fitting inside finish wall.
5. As applicable, use a needle nose plier to temporarily remove stream STRAIGHTENER (4) from SPOUT (1).



Test Installed Tub / Shower Set:

1. Turn on the shower valve by rotating the handle counterclockwise. Water will start to flow from the tub spout.
2. Pull the diverter knob to operate the showerhead.
3. Handle rotation to water mixing temperature is as follows:
 - a. 0 to 45° = cold
 - b. 45° to 90° = warm
 - c. 90° to 150° = hot