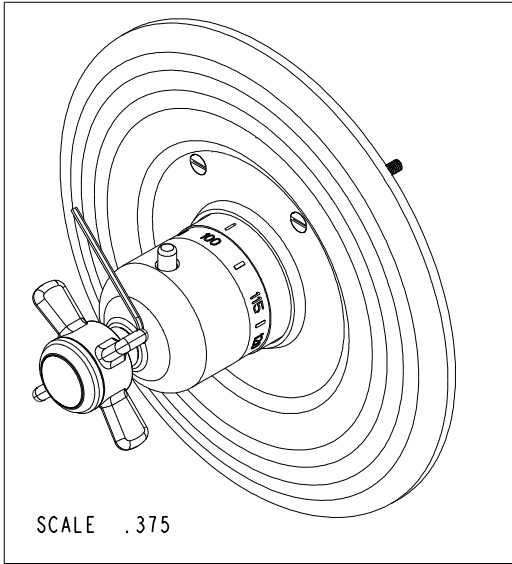


NOTES:

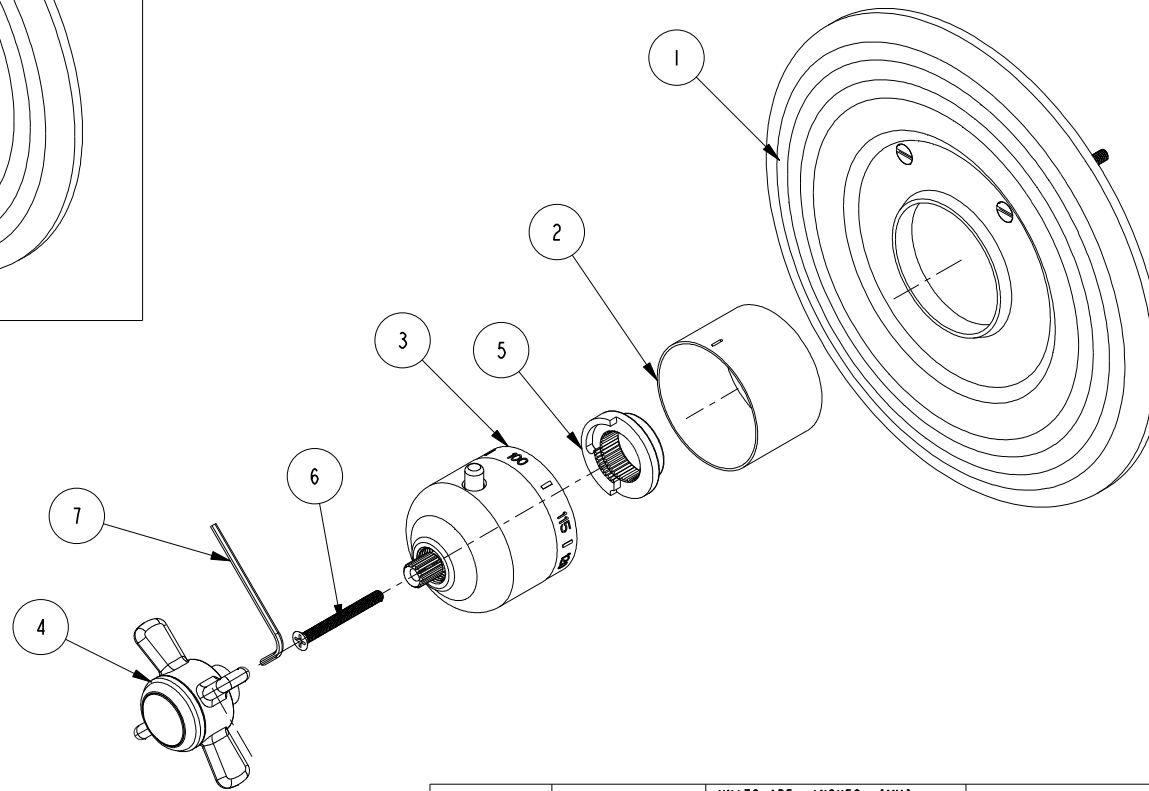
1. TO INSPECT ASSEMBLY, FOLLOW FIRST ARTICLE AND IN PROCESS INSPECTION SHEET.

BILL OF MATERIAL (CURRENT LEVEL)

ITEM	PT/ASSY	DESCRIPTION	TYPE	QTY.
1	2-337	THERMO ROUND PLATE ASSEMBLY	ASSEMBLY	1
2	11029	SLEEVE - THERMO	PART	1
3	2-336	THERMO BONNET ASM - TRAD	ASSEMBLY	1
4	2-270	THIN BLADE X-HANDLE - BLANK	ASSEMBLY	1
5	91308	TEMP LIMIT STOP - THERMO	PART	1
6	92113	SCRW, M4 X .7 X 40 PHL FLT HD SS	PART	1
7	10192	HEX KEY TOOL, #8 5/64	PART	1



SCALE .375



TESTING	-	-	-
ASSEMBLY	-	-	-
PLATING	-	-	-
POLISHING	-	NEXT ASSY	USED ON
MACHINING	-	APPLICATION	
TOOLING FIXTURE #	REMOVE ALL BURRS AND SHARP EDGES		

UNITS ARE: INCHES [MM]
 TOLERANCES ARE:
 FRACTIONS DECIMALS ANGLES
 ±1/16" .X ±.1 [2.5] ±°
 .XX ±.06 [1.5]

(X.XXX) DENOTES CRITICAL DIMS.
 ALL THREADS ARE CRITICAL

DRAWN	-	03/01/01
CHECKED	-	03/01/01
APPROVED	-	03/01/01

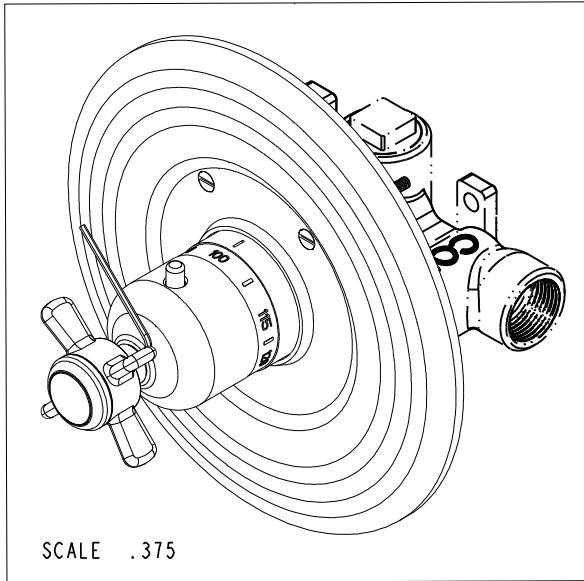
BRASSTECH
 INCORPORATED

2001 CARNEGIE AVE.
 SANTA ANA, CA 92705
 (949) 417-5207

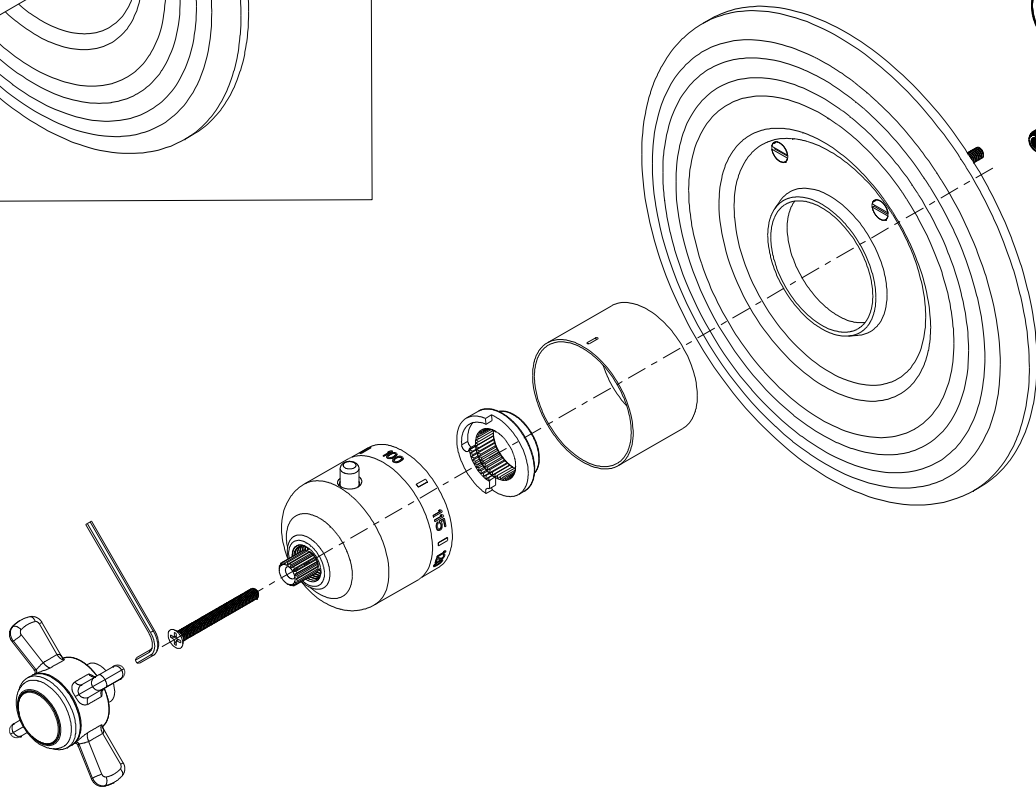
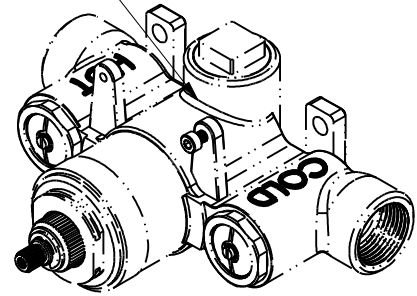
ROUND TRIM THERMO

DWG NO.	3-1004TR	REV	B
SCALE	.375	REF.	-
SHEET	1	OF	3

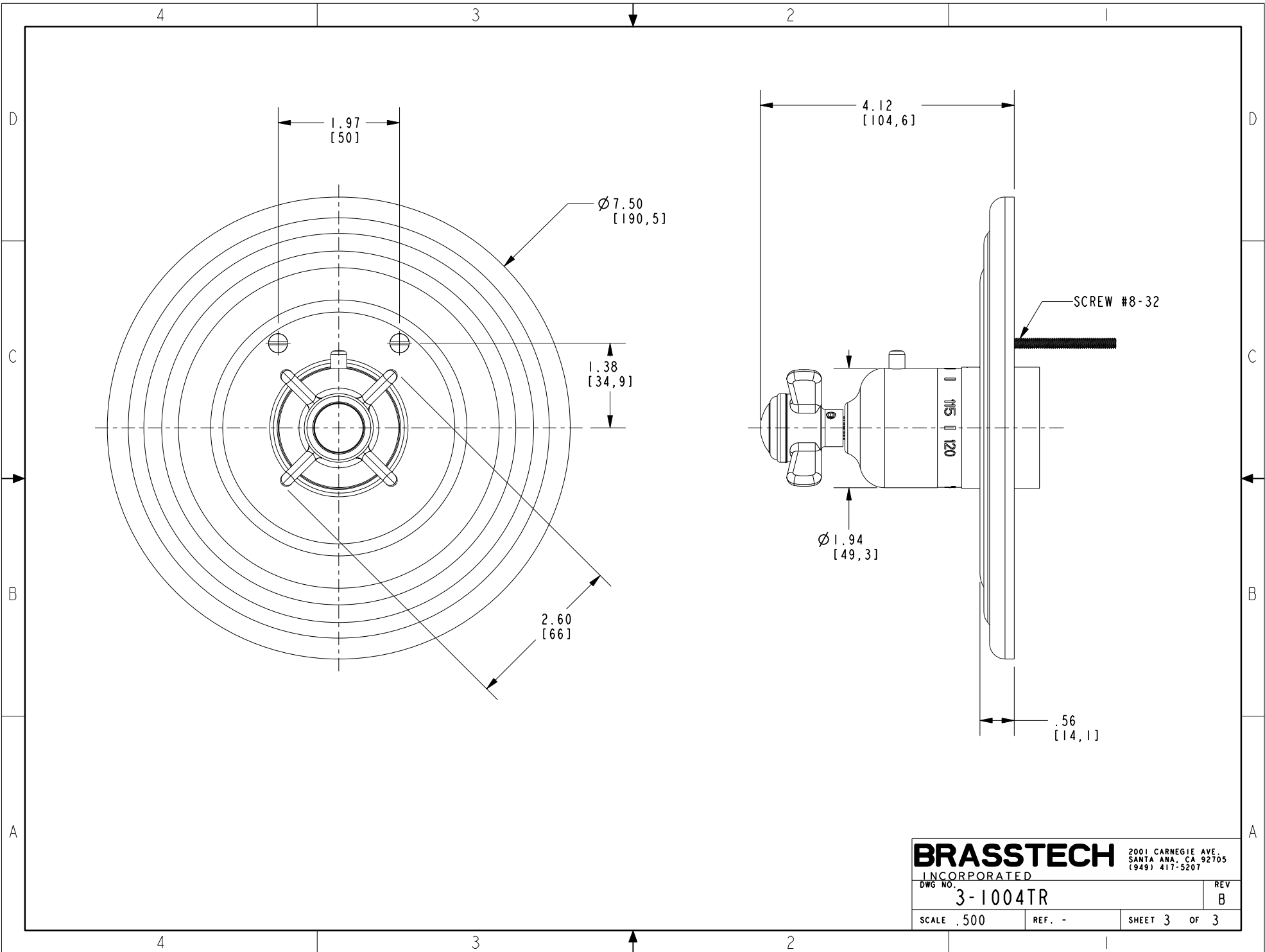
-	B	EN-3961-2	07/02/20	J.M.	COPYRIGHT 2005 BRASSTECH, INC. THESE DRAWINGS AND THE DESIGNS DEPICTED HEREIN ARE THE PROPRIETARY PROPERTY OF BRASSTECH. ANY USE OR REPRODUCTION IS SUBJECT TO THE EXPRESS APPROVAL OF BRASSTECH. UNAUTHORIZED USE IS STRICTLY PROHIBITED. ALL RIGHTS RESERVED.
-	A	EO-0078	09/16/02	-	
-	-	RELEASED	03/01/01	-	
ZONE	REV	DESCRIPTION	DATE	APPROVED	



PN: 1-540
SOLD SEPARATELY



BRASSTECH		2001 CARNEGIE AVE. SANTA ANA, CA 92705 (949) 417-5207	
INCORPORATED			
DWG NO.	3-1004TR	REV	B
SCALE .375	REF. -	SHEET 2	OF 3



BRASSTECH 2001 CARNEGIE AVE.
 INCORPORATED SANTA ANA, CA 92705
 (949) 417-5207

DWG NO.	3-1004TR	REV	B
SCALE	.500	REF.	-
		SHEET	3 OF 3