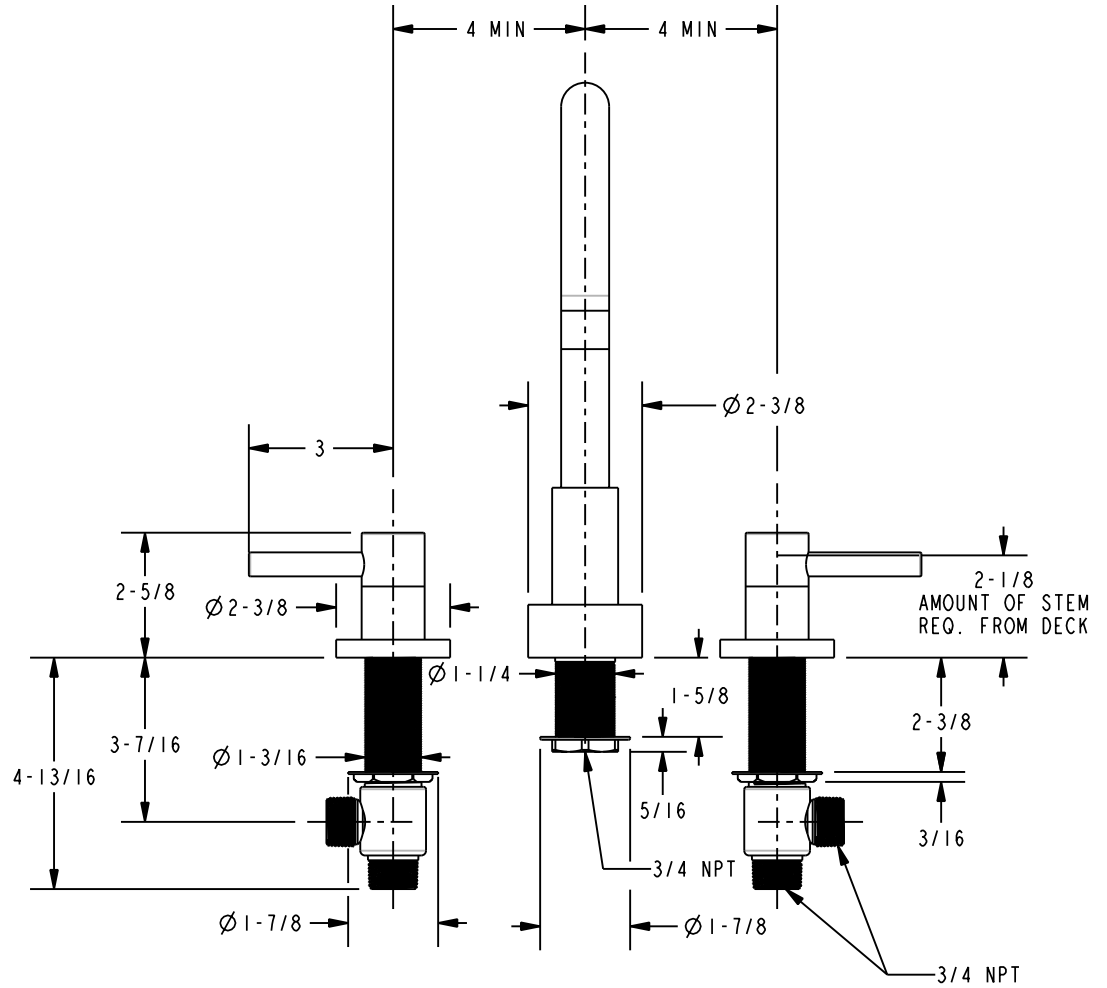
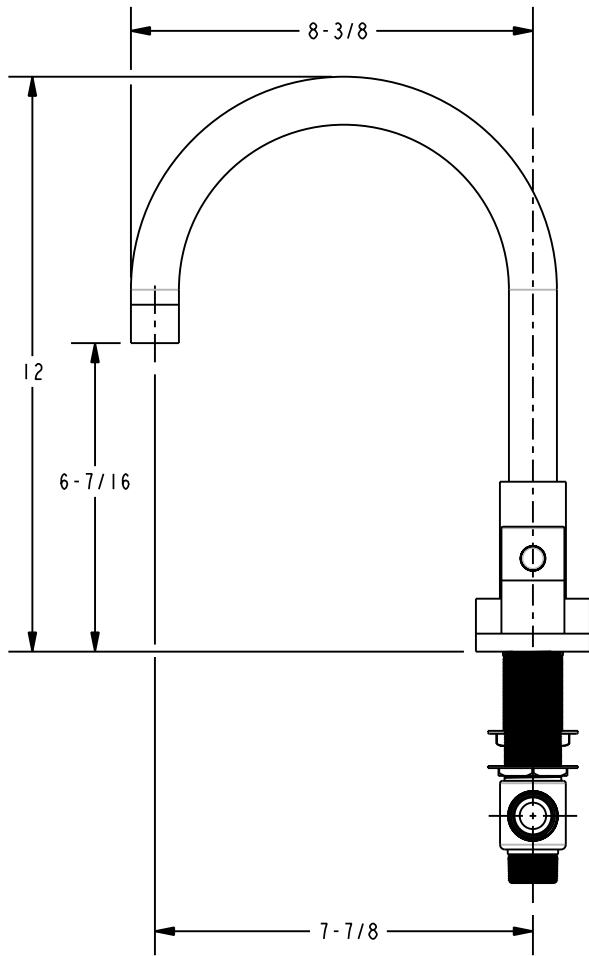


**SPECIFICATION DWG**

NOTES:



DIMENSIONS ARE IN INCHES AND AN APPROXIMATION OF A TYPICAL INSTALLATION

**BRASSTECH** INCORPORATED  
 2001 E. CARNEGIE AVE.  
 SANTA ANA, CA 92705  
 (949) 417-5207

ROMAN TUB SET

ASSY. NO. 1506\_SPEC

SCALE 0.250

REF. -

SHEET 1

OF 1

COPYRIGHT ©

-	RELEASED	08/14/02
REV	REV DESC	DATE