

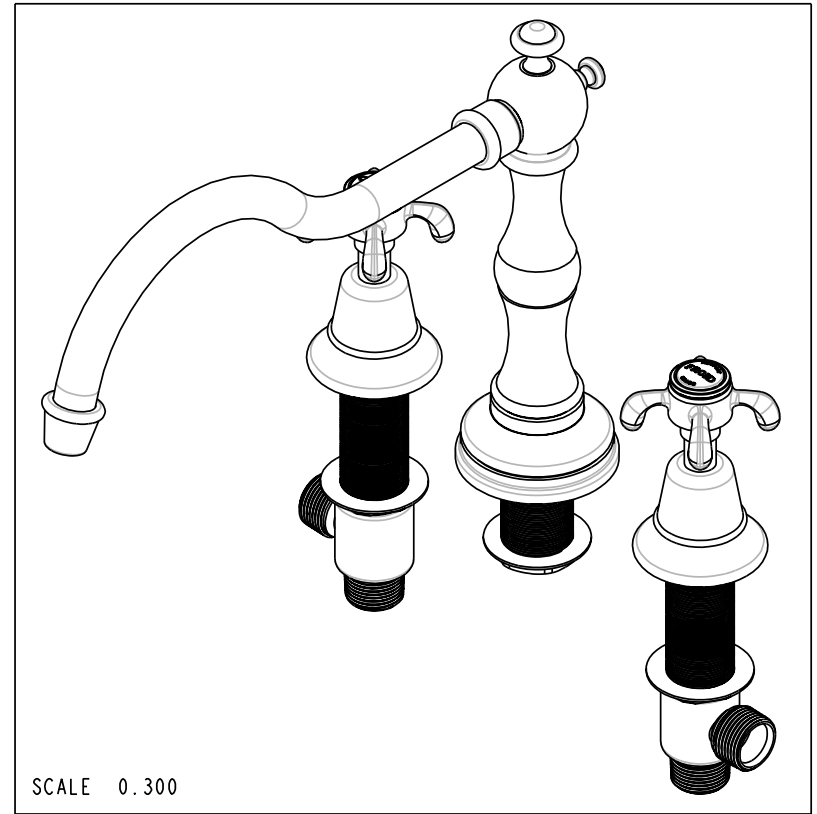
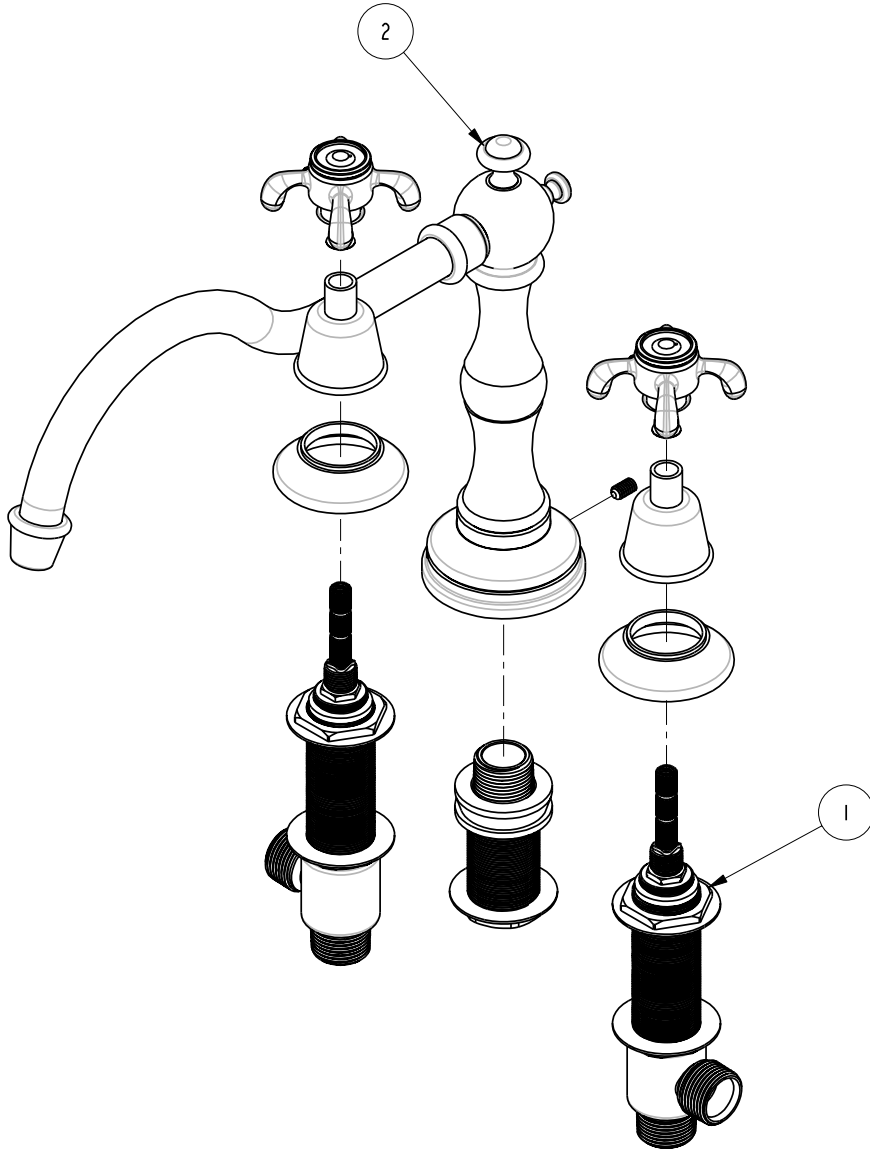
4

3

2

### BILL OF MATERIAL (CURRENT LEVEL)

ITEM	PT/ASSY	DESCRIPTION	TYPE	QTY.
1	1-547	R/T 2-VALVE ROUGH W/OK CONNECT	ASSEMBLY	1
2	3-1686	TRIM KIT - 3-1686	ASSEMBLY	1



NOTE: RECOMMENDED VALVE(S), SHOWN WITH TRIM KIT, SOLD SEPERATELY.

COPYRIGHT 2005 BRASSTECH, INC. THESE DRAWINGS AND THE DESIGNS DEPICTED HEREIN ARE THE PROPRIETARY PROPERTY OF BRASSTECH. ANY USE OR REPRODUCTION IS SUBJECT TO THE EXPRESS APPROVAL OF BRASSTECH. UNAUTHORIZED USE IS STRICTLY PROHIBITED. ALL RIGHTS RESERVED.

**BRASSTECH**  
INCORPORATED

2001 E. CARNEGIE AVE.  
SANTA ANA, CA 92705  
(949) 417-5207

## ROMAN TUB SET

ASSY. NO.	1686	
SCALE 0.300	REF. -	SHEET 1 OF 3
REV	REV DESC	DATE
B	EN-1167	12/19/08
A	EO-0387	07/07/04
-	EO-0256	02/17/04

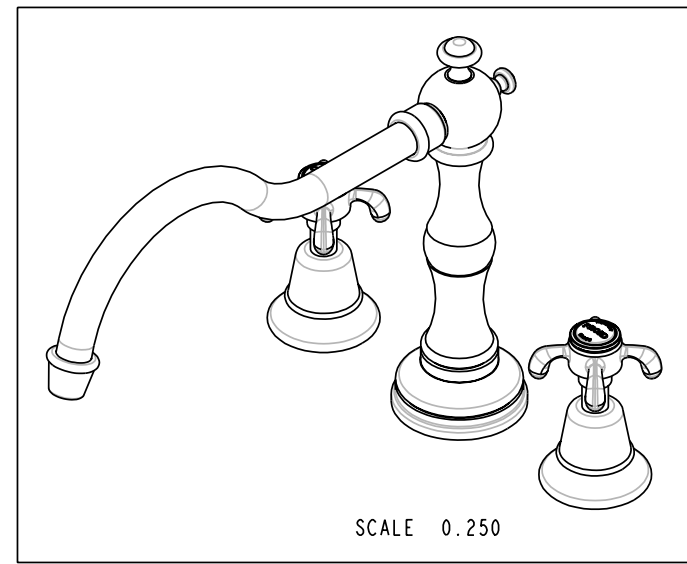
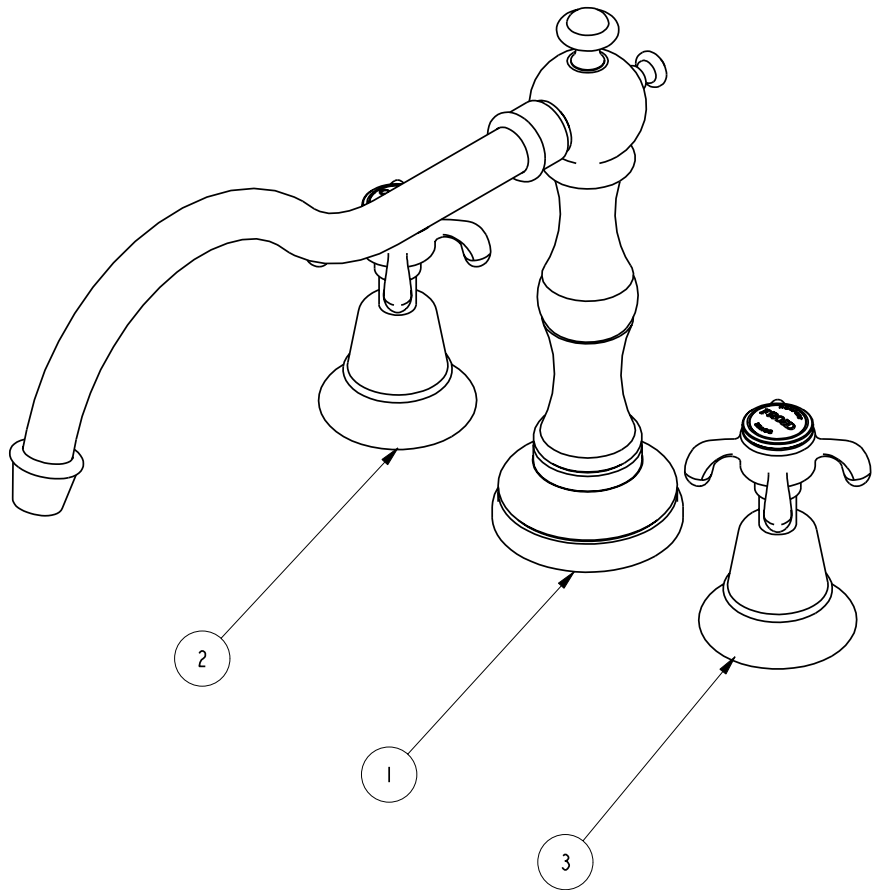
4

3

2

1

BILL OF MATERIAL (CURRENT LEVEL)				
ITEM	PT/ASSY	DESCRIPTION	TYPE	QTY.
1	2-450	R/T SPOUT ASM	ASSEMBLY	1
2	3-284H	CHAUD HDL/ESC ASM	ASSEMBLY	1
3	3-284C	FROID HDL/ESC ASM	ASSEMBLY	1



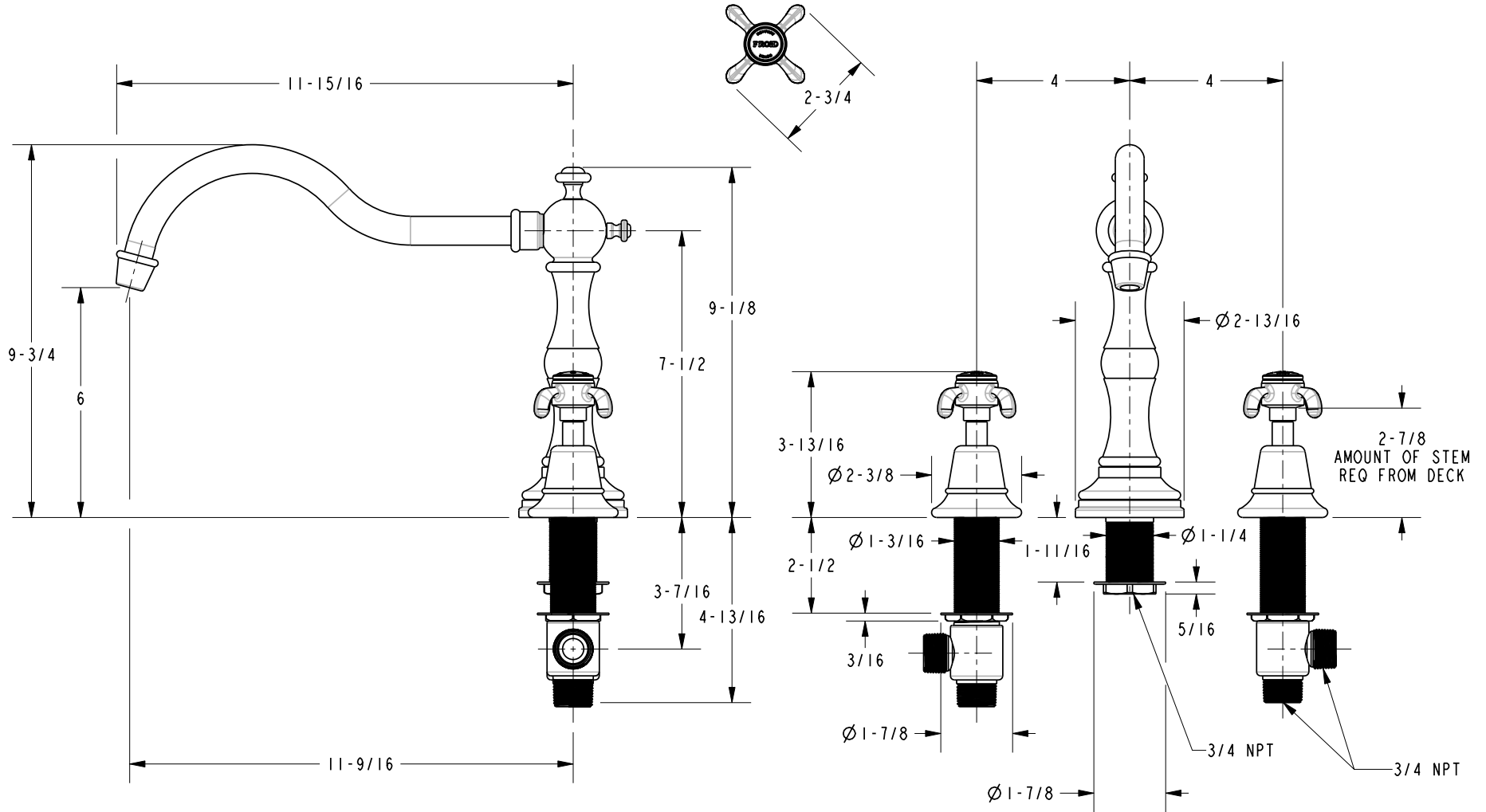
COPYRIGHT 2005 BRASSTECH, INC. THESE DRAWINGS AND THE DESIGNS DEPICTED HEREIN ARE THE PROPRIETARY PROPERTY OF BRASSTECH. ANY USE OR REPRODUCTION IS SUBJECT TO THE EXPRESS APPROVAL OF BRASSTECH. UNAUTHORIZED USE IS STRICTLY PROHIBITED. ALL RIGHTS RESERVED.

**BRASSTECH**  
INCORPORATED  
2001 E. CARNEGIE AVE.  
SANTA ANA, CA 92705  
(949) 417-5207

TRIM KIT - 3-1686

ASSY. NO.	1686	
SCALE 0.350	REF. -	SHEET 2 OF 3
REV	REV DESC	DATE
B	EN-1167	12/19/08
A	EO-0387	07/07/04
-	EO-0256	02/17/04

SPECIFICATION DWG



DIMENSIONS ARE IN INCHES AND AN APPROXIMATION OF A TYPICAL INSTALLATION

COPYRIGHT 2005 BRASSTECH, INC. THESE DRAWINGS AND THE DESIGNS DEPICTED HEREIN ARE THE PROPRIETARY PROPERTY OF BRASSTECH. ANY USE OR REPRODUCTION IS SUBJECT TO THE EXPRESS APPROVAL OF BRASSTECH. UNAUTHORIZED USE IS STRICTLY PROHIBITED. ALL RIGHTS RESERVED.

<b>BRASSTECH</b> INCORPORATED		2001 E. CARNEGIE AVE. SANTA ANA, CA 92705 (949) 417-5207	
DWG NO.	1686	REV	B
SCALE	0.250	REF.	-
		SHEET	3 OF 3