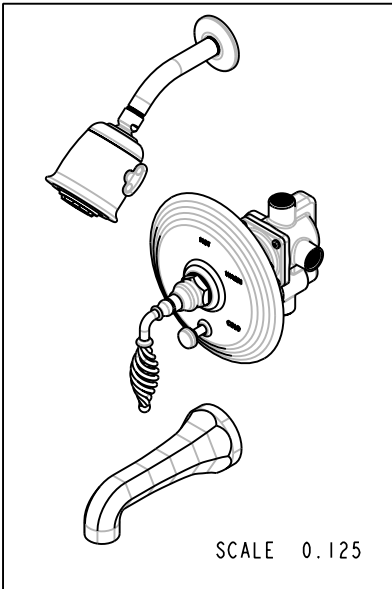
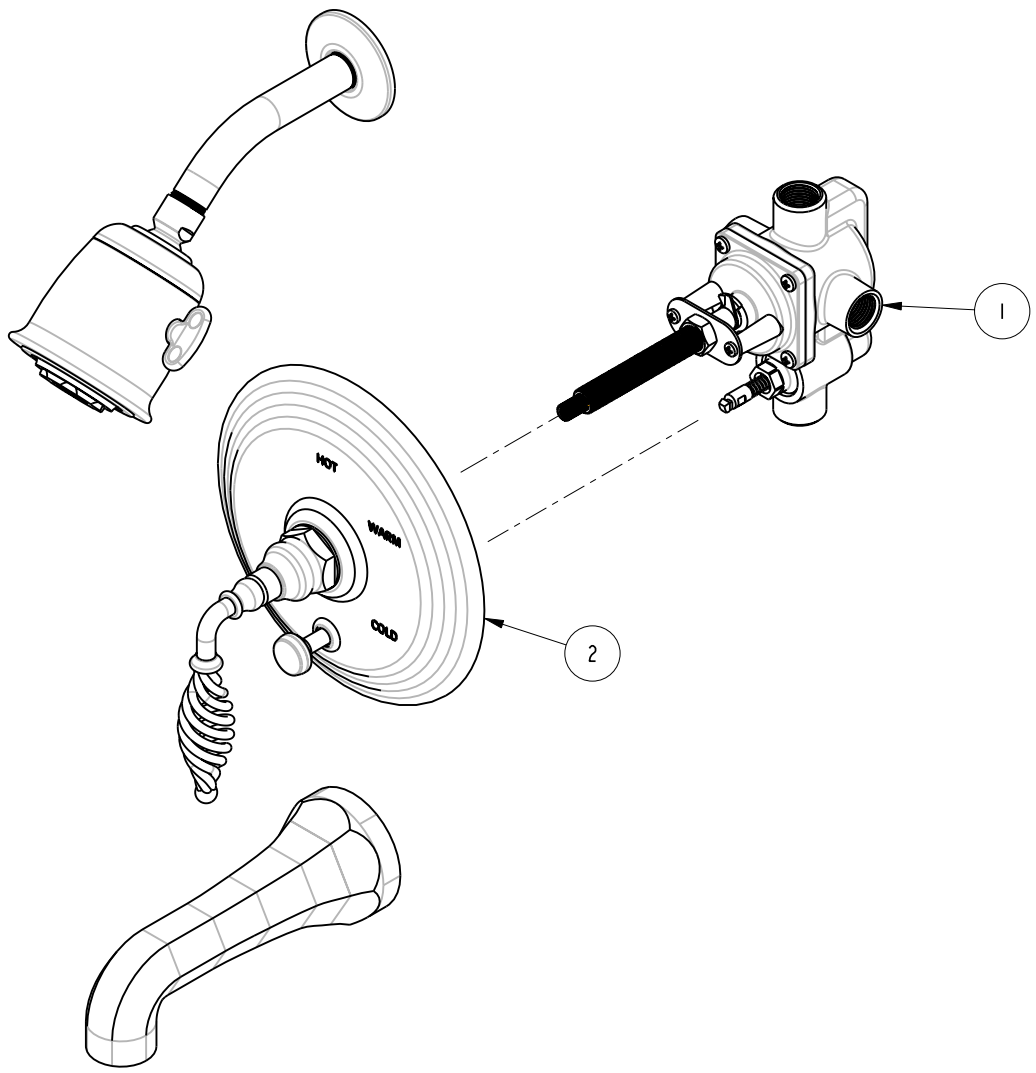


BILL OF MATERIAL (CURRENT LEVEL)				
ITEM	PT/ASSY	DESCRIPTION	TYPE	QTY.
1	1-505	BP VALVE ASM W/DIVERTER	ASSEMBLY	1
2	3-2102BP	TRIM ONLY	ASSEMBLY	1



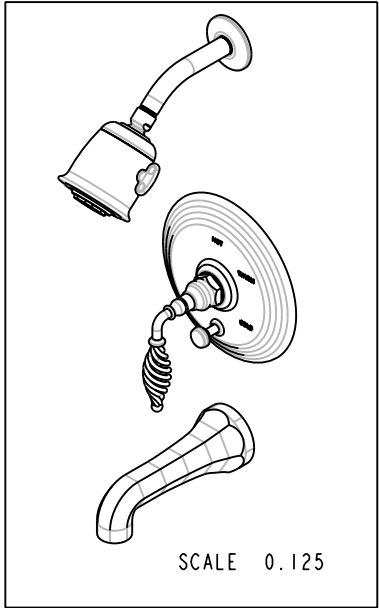
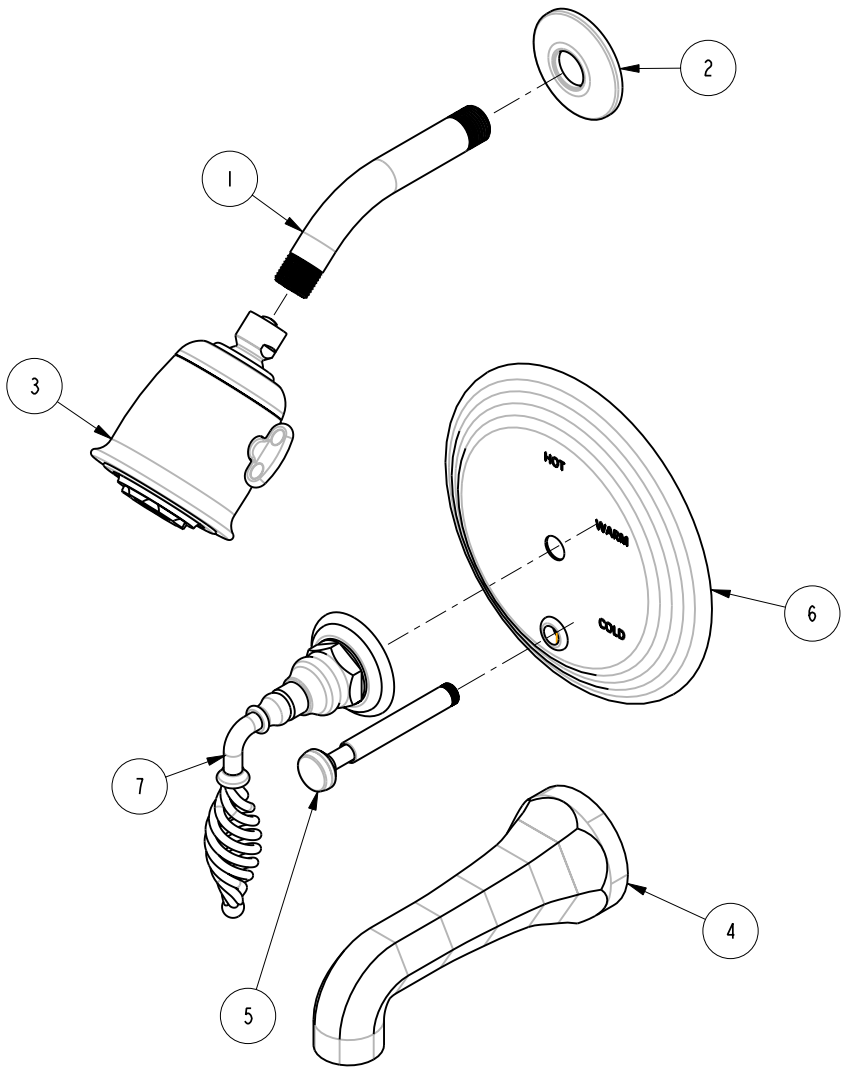
COPYRIGHT 2005 BRASSTECH, INC. THESE DRAWINGS AND THE DESIGNS DEPICTED HEREIN ARE THE PROPRIETARY PROPERTY OF BRASSTECH. ANY USE OR REPRODUCTION IS SUBJECT TO THE EXPRESS APPROVAL OF BRASSTECH. UNAUTHORIZED USE IS STRICTLY PROHIBITED. ALL RIGHTS RESERVED.

BRASSTECH
INCORPORATED
2001 E. CARNEGIE AVE.
SANTA ANA, CA 92705
(949) 417-5207

TUB & SHOWER

ASSY. NO.	2102BP		
SCALE	0.250	REF.	-
SHEET	1	OF	3
REV	A	REV DESC	EO-0224 RELEASED
		DATE	07/01/03 03/17/97

BILL OF MATERIAL (CURRENT LEVEL)				
ITEM	PT/ASSY	DESCRIPTION	TYPE	QTY.
1	200	SHOWER ARM 6" BRASS	PART	1
2	206	SHOWER ARM FLANGE 2.5	PART	1
3	2131	BELL SHOWERHEAD	ASSEMBLY	1
4	2-144	WALL TUB SPOUT - HEX	ASSEMBLY	1
5	2-217	DIVERTER TRIM KIT	ASSEMBLY	1
6	2-224	COVERPLATE BP W/DIVERTER	ASSEMBLY	1
7	3-228	TRIM KIT - STOP VALVE	ASSEMBLY	1



COPYRIGHT 2005 BRASSTECH, INC. THESE DRAWINGS AND THE DESIGNS DEPICTED HEREIN ARE THE PROPRIETARY PROPERTY OF BRASSTECH. ANY USE OR REPRODUCTION IS SUBJECT TO THE EXPRESS APPROVAL OF BRASSTECH. UNAUTHORIZED USE IS STRICTLY PROHIBITED. ALL RIGHTS RESERVED.

BRASSTECH
INCORPORATED
2001 E. CARNEGIE AVE.
SANTA ANA, CA 92705
(949) 417-5207

TRIM ONLY

ASSY. NO. 2102BP

SCALE 0.250

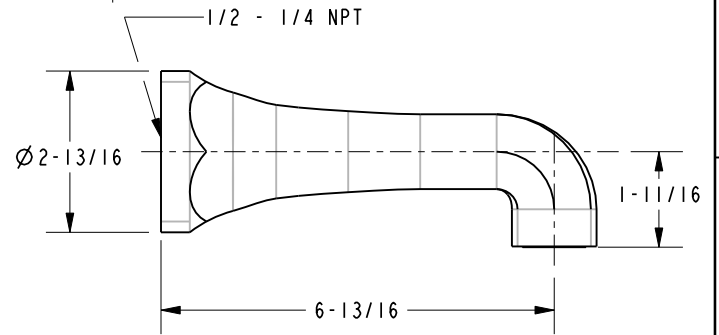
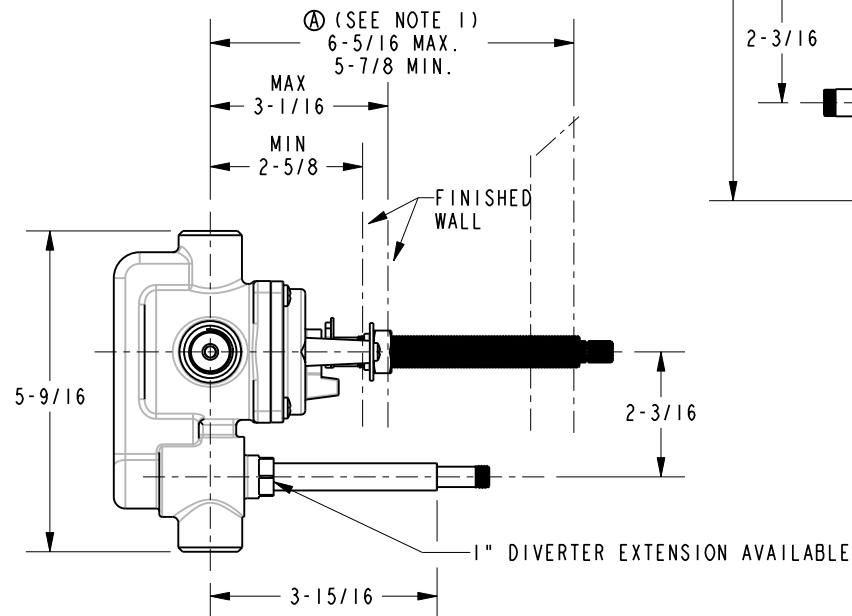
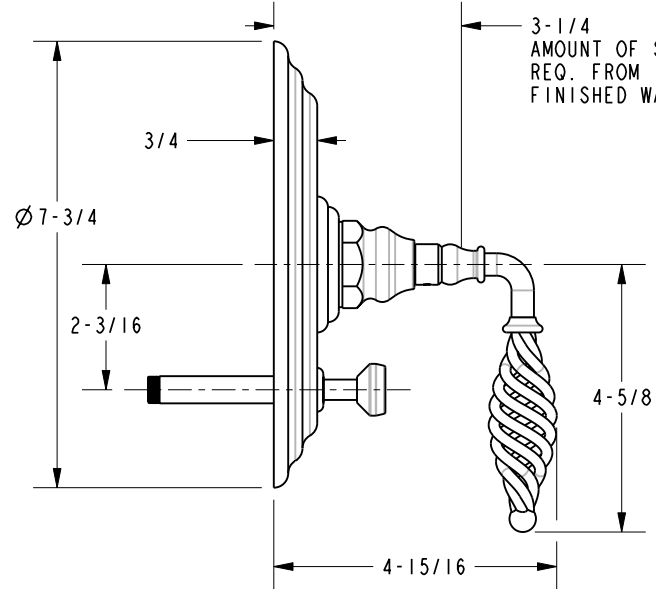
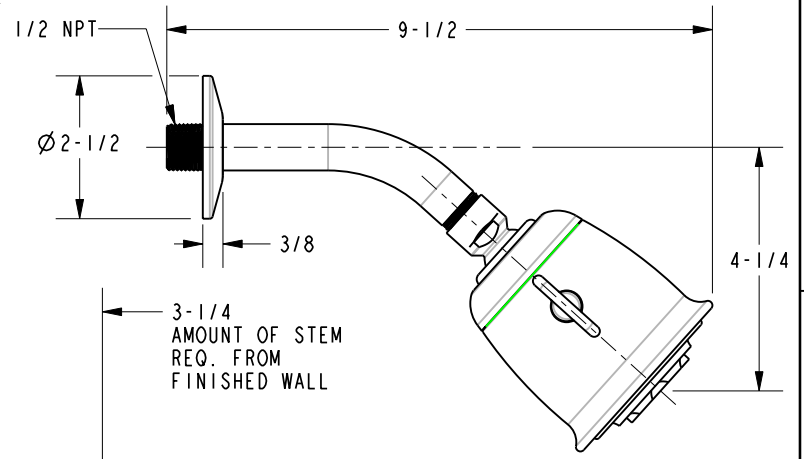
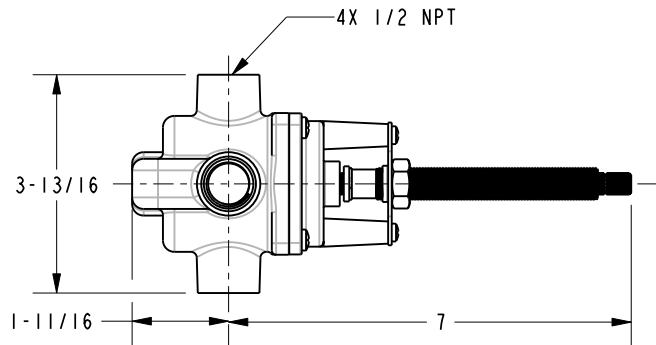
REF. -

SHEET 2 OF 3

A	EO-0224	07/01/03
-	RELEASED	03/17/97
REV	REV DESC	DATE

SPECIFICATION DWG

1. CUT STEM TO DIMENSION "A".
CUT ALL-THREAD 1/2"
SHORTER THAN STEM.



DIMENSIONS ARE IN INCHES AND AN APPROXIMATION OF A TYPICAL INSTALLATION

COPYRIGHT 2005 BRASSTECH, INC. THESE DRAWINGS AND THE DESIGNS DEPICTED HEREIN ARE THE PROPRIETARY PROPERTY OF BRASSTECH. ANY USE OR REPRODUCTION IS SUBJECT TO THE EXPRESS APPROVAL OF BRASSTECH. UNAUTHORIZED USE IS STRICTLY PROHIBITED. ALL RIGHTS RESERVED.

BRASSTECH		2001 E. CARNEGIE AVE. SANTA ANA, CA 92705 (949) 417-5207	
INCORPORATED			
DWG NO.	2102BP	REV	A
SCALE 0.300	REF. -	SHEET 3	OF 3