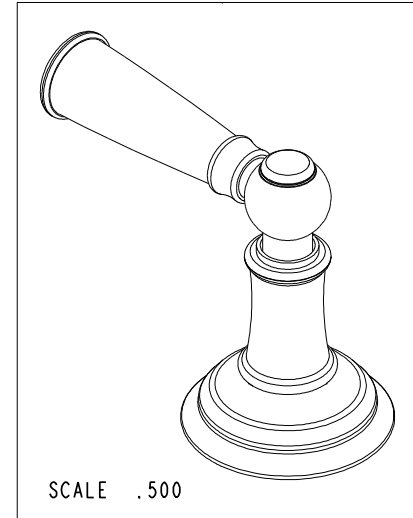
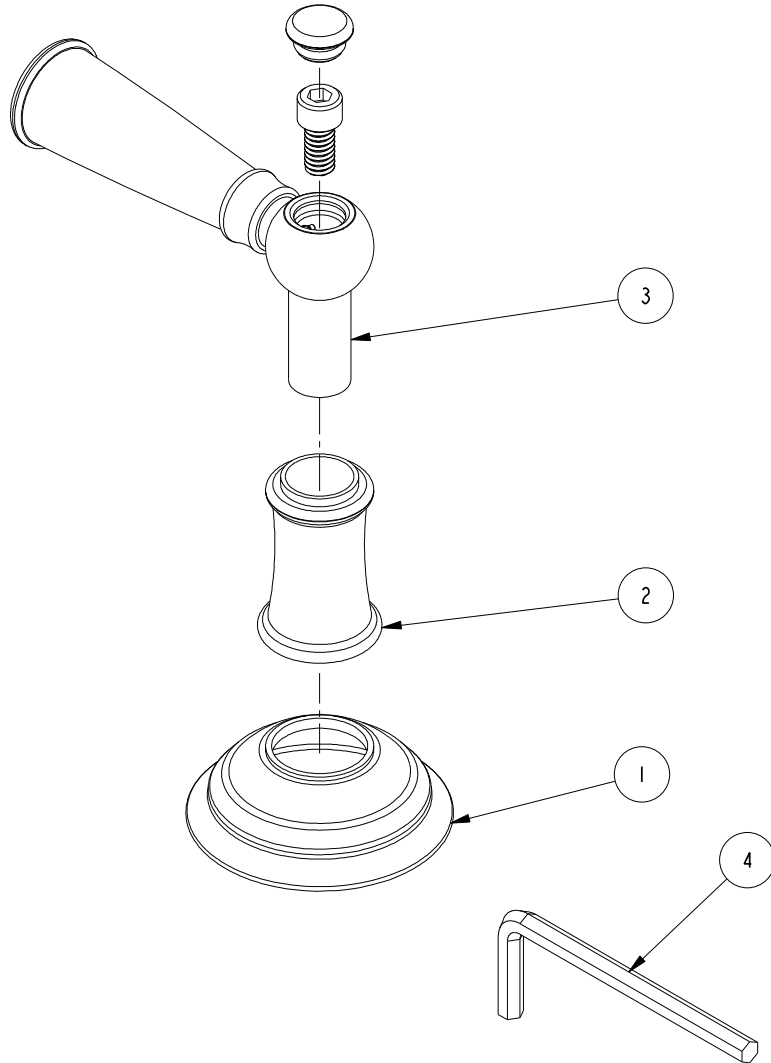


NOTES:

1. TO INSPECT ASSEMBLY, FOLLOW FIRST ARTICLE AND IN PROCESS INSPECTION SHEET.

**BILL OF MATERIAL (CURRENT LEVEL)**

ITEM	PT/ASSY	DESCRIPTION	TYPE	QTY.
1	2-652	HANDLE ESCUTCHEON ASM	ASSEMBLY	1
2	11590	HANDLE BONNET	PART	1
3	2-636	LEVER HANDLE ASSEMBLY	ASSEMBLY	1
4	92846	HEX KEY, 3/16" ALLOY STEEL	PART	1



ZONE	REV	DESCRIPTION	DATE	APPROVED
-	C	EN-4300j	12/16/20	R.S.
-	B	EN-2701	02/21/14	-
-	A	EN-2032	01/07/14	-
-	-	EN-1266-5	04/20/10	-

COPYRIGHT 2005 BRASSTECH, INC. THESE DRAWINGS AND THE DESIGNS DEPICTED HEREIN ARE THE PROPRIETARY PROPERTY OF BRASSTECH. ANY USE OR REPRODUCTION IS SUBJECT TO THE EXPRESS APPROVAL OF BRASSTECH. UNAUTHORIZED USE IS STRICTLY PROHIBITED. ALL RIGHTS RESERVED.

TESTING	-	-	-
ASSEMBLY	-	-	-
PLATING	-	2410	2410
POLISHING	-	NEXT ASSY	USED ON
MACHINING	-	APPLICATION	
TOOLING FIXTURE #	REMOVE ALL BURRS AND SHARP EDGES		

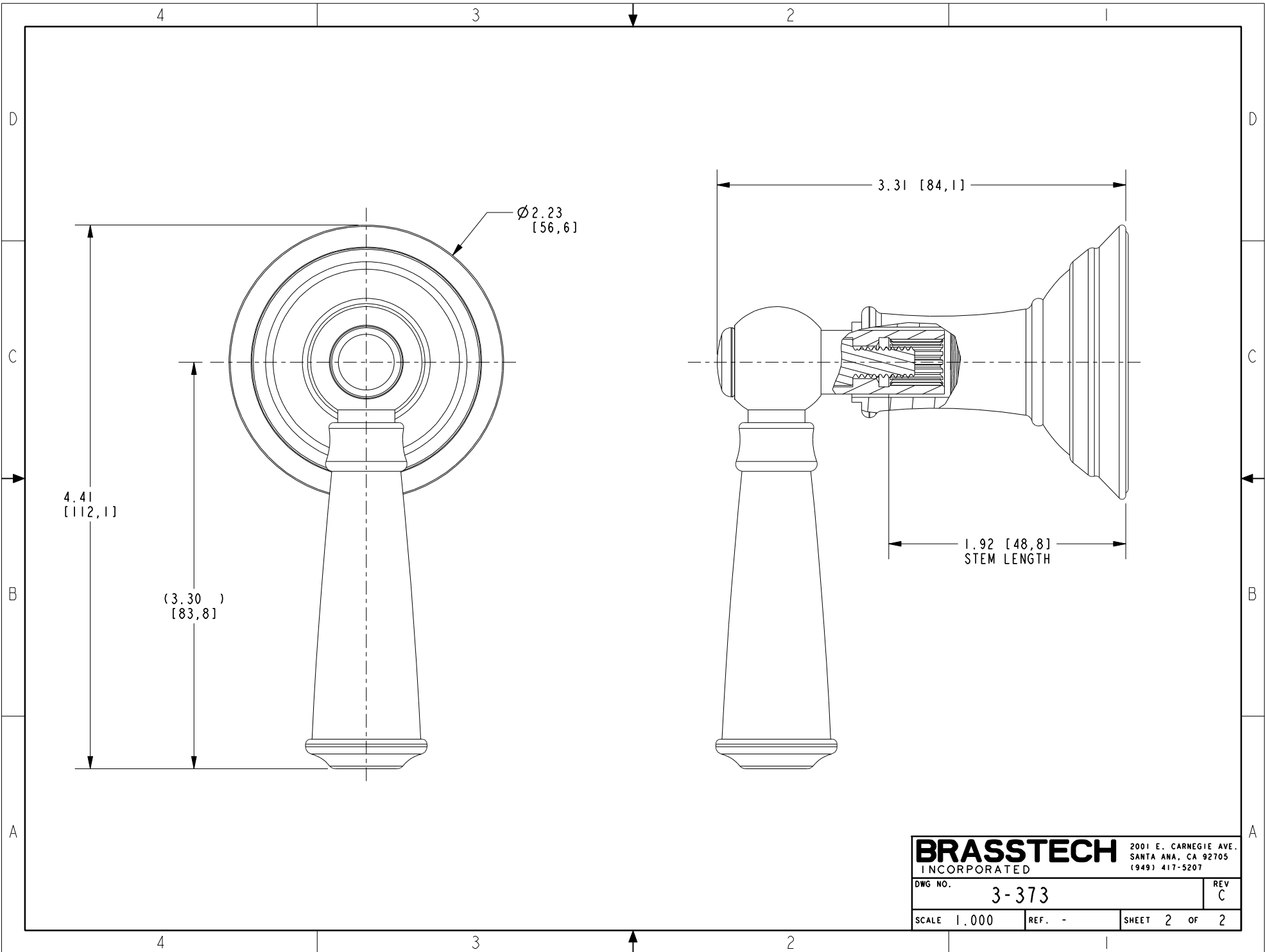
UNITS ARE: INCHES [MM]		
TOLERANCES ARE:		
FRACTIONS	DECIMALS	ANGLES
±1/16"	.X ±.1 [2.5]	±1°
	.XX ±.06 [1.5]	
(X.XXX) DENOTES CRITICAL DIMS. ALL THREADS ARE CRITICAL		
DRAWN	JIMSON	12/16/20
CHECKED	R.S.	12/16/20
APPROVED	R.S.	12/16/20

**BRASSTECH** 2001 CARNEGIE AVE. SANTA ANA, CA 92705 (949) 417-5207  
INCORPORATED

**LEVER HANDLE AND ESC. ASM**

DWG NO. **3-373** REV **C**

SCALE .625 REF. - SHEET 1 OF 2



<b>BRASSTECH</b>		2001 E. CARNEGIE AVE. SANTA ANA, CA 92705 (949) 417-5207	
DWG NO.	3-373	REV	C
SCALE	1.000	REF.	-
		SHEET	2 OF 2