

4

3

2

BILL OF MATERIAL (CURRENT LEVEL)

ITEM	PT/ASSY	DESCRIPTION	TYPE	QTY.
1	1-505	BP VALVE ASM W/DIVERTER	ASSEMBLY	1
2	3-992LBP	TRIM KIT 3-992LBP	ASSEMBLY	1

D

D

C

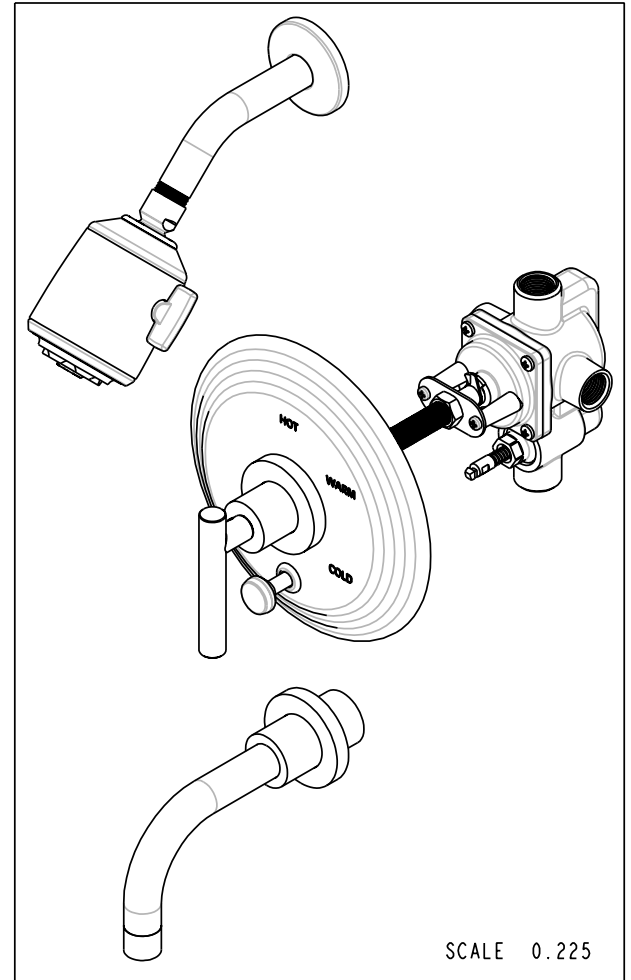
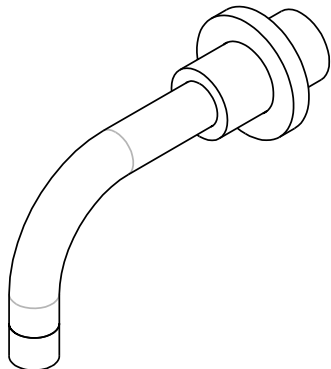
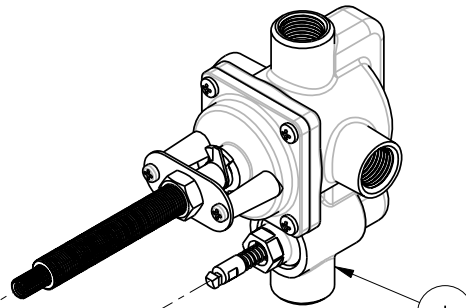
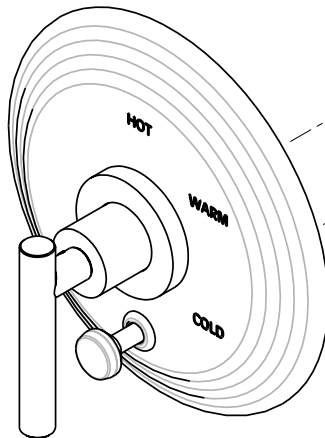
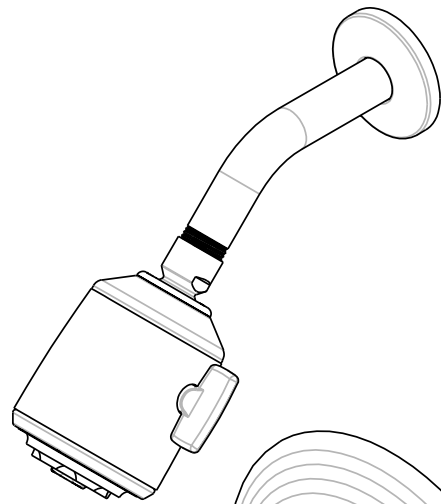
C

B

B

A

A



SCALE 0.225

COPYRIGHT 2005 BRASSTECH, INC. THESE DRAWINGS AND THE DESIGNS DEPICTED HEREIN ARE THE PROPRIETARY PROPERTY OF BRASSTECH. ANY USE OR REPRODUCTION IS SUBJECT TO THE EXPRESS APPROVAL OF BRASSTECH. UNAUTHORIZED USE IS STRICTLY PROHIBITED. ALL RIGHTS RESERVED.

BRASSTECH
 INCORPORATED
 2001 E. CARNEGIE AVE.
 SANTA ANA, CA 92705
 (949) 417-5207

TUB/SHOWER SET - BP

ASSY. NO. 992LBP

SCALE 0.300

REF. -

SHEET 1 OF 3

B	EO-0872	09/05/07
A	-	-
-	RELEASED	-
REV	REV DESC	DATE

4

3

2

1

4

3

2

BILL OF MATERIAL (CURRENT LEVEL)

ITEM	PT/ASSY	DESCRIPTION	TYPE	QTY.
1	200	SHOWER ARM 6" BRASS	PART	1
2	206	SHOWER ARM FLANGE	PART	1
3	213	SHOWERHEAD ONLY	ASSEMBLY	1
4	2-217	DIVERTER TRIM KIT	ASSEMBLY	1
5	2-224	COVERPLATE BP W/DIVERTER	ASSEMBLY	1
6	3-234	WALL TUB SPOUT ASM	ASSEMBLY	1
7	3-227LH	HANDLE TRIM ASM - HOT	ASSEMBLY	1

D

D

C

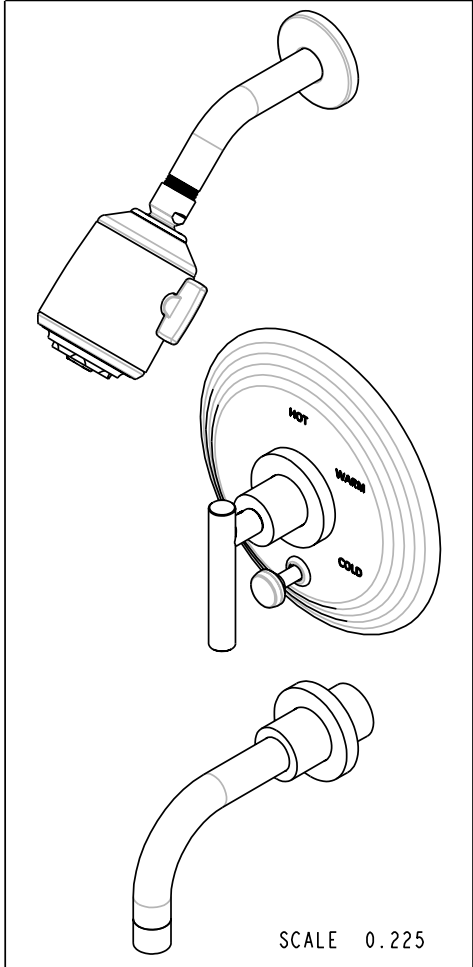
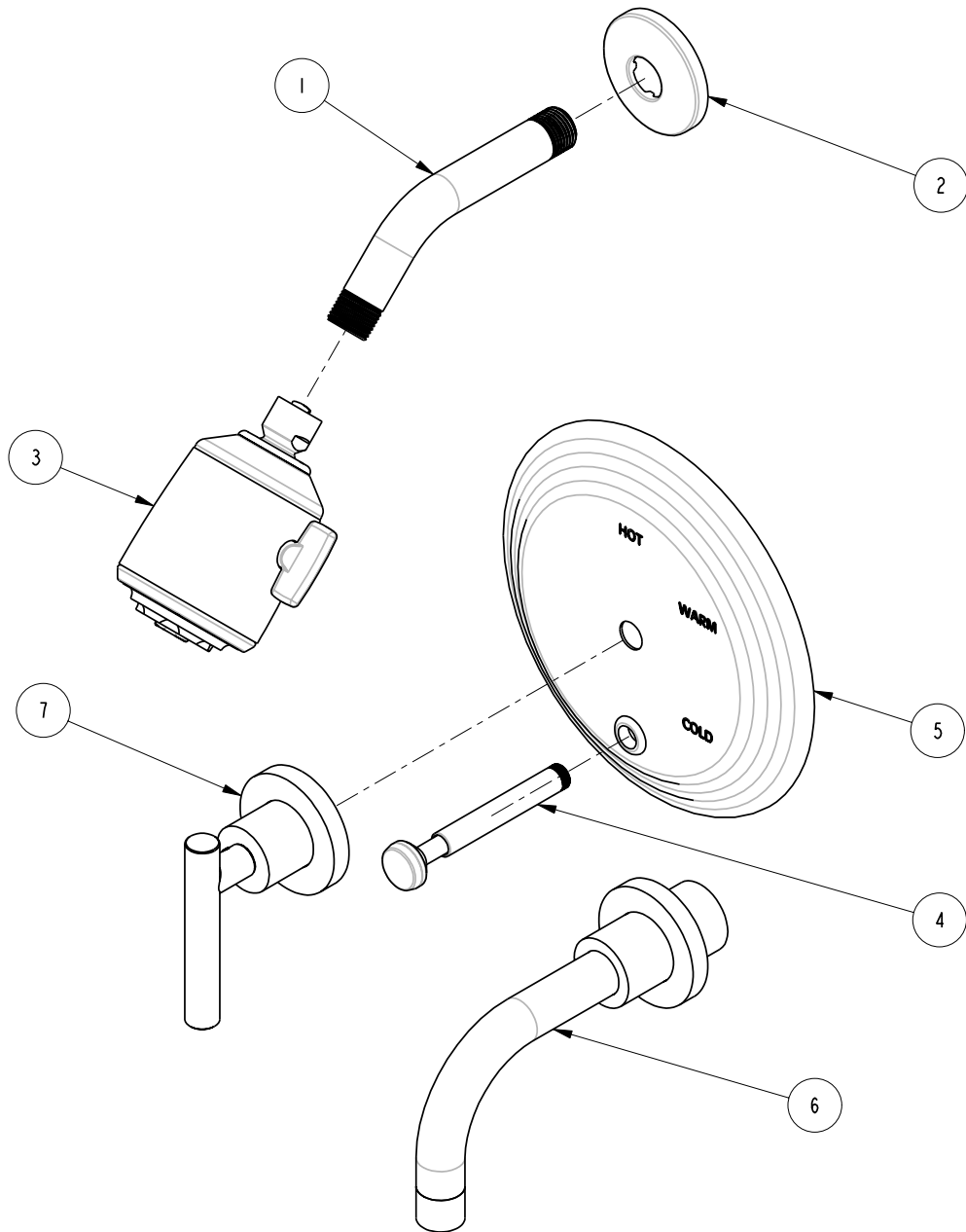
C

B

B

A

A



COPYRIGHT 2005 BRASSTECH, INC. THESE DRAWINGS AND THE DESIGNS DEPICTED HEREIN ARE THE PROPRIETARY PROPERTY OF BRASSTECH. ANY USE OR REPRODUCTION IS SUBJECT TO THE EXPRESS APPROVAL OF BRASSTECH. UNAUTHORIZED USE IS STRICTLY PROHIBITED. ALL RIGHTS RESERVED.

BRASSTECH
 INCORPORATED
 2001 E. CARNEGIE AVE.
 SANTA ANA, CA 92705
 (949) 417-5207

TRIM KIT 3-992LBP

ASSY. NO. 992LBP

SCALE 0.300

REF. -

SHEET 2 OF 3

B	EO-0872	09/05/07
A	-	-
-	RELEASED	-
REV	REV DESC	DATE

4

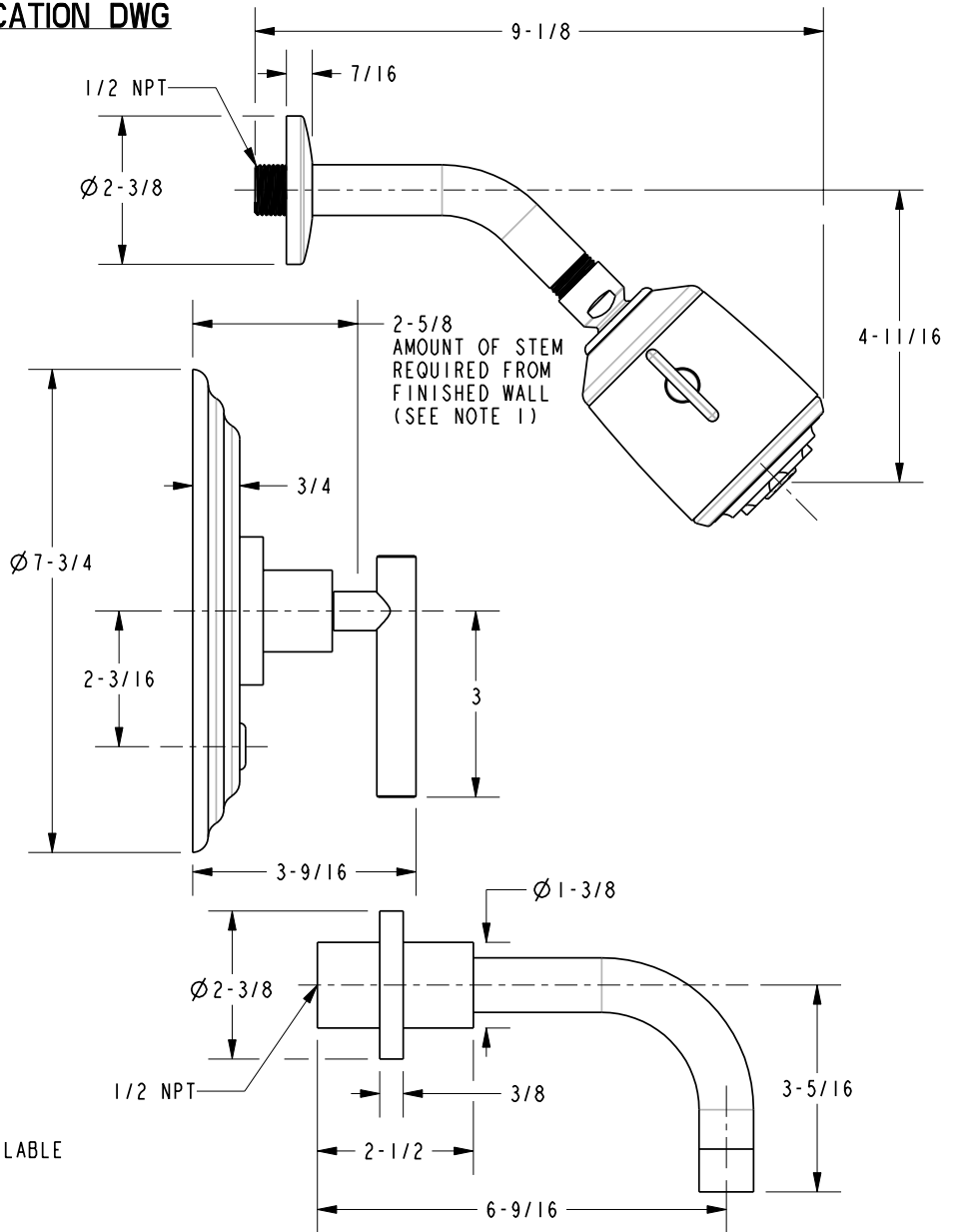
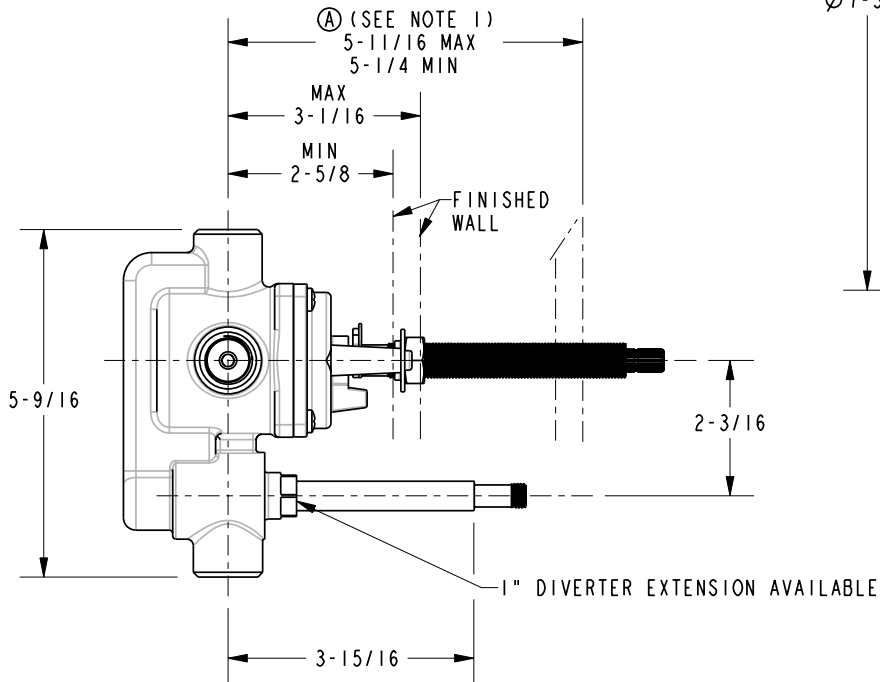
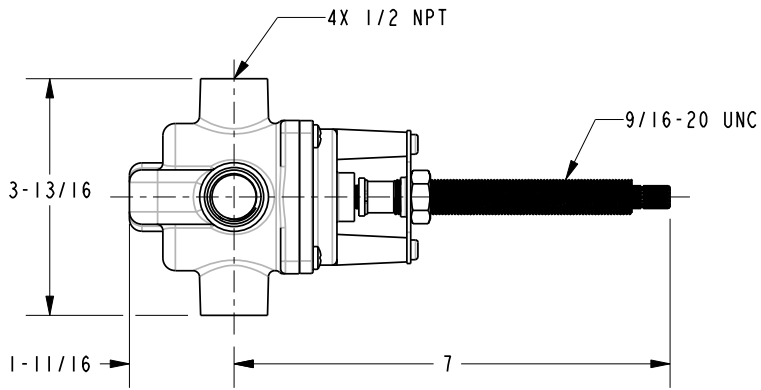
3

2

1

SPECIFICATION DWG

NOTE:
 1. CUT STEM TO DIMENSION "A".
 CUT ALL-THREAD 1/2" SHORTER THAN STEM.



DIMENSIONS ARE IN INCHES AND AN APPROXIMATION OF A TYPICAL INSTALLATION

COPYRIGHT 2005 BRASSTECH, INC. THESE DRAWINGS AND THE DESIGNS DEPICTED HEREIN ARE THE PROPRIETARY PROPERTY OF BRASSTECH. ANY USE OR REPRODUCTION IS SUBJECT TO THE EXPRESS APPROVAL OF BRASSTECH. UNAUTHORIZED USE IS STRICTLY PROHIBITED. ALL RIGHTS RESERVED.

BRASSTECH		2001 E. CARNEGIE AVE.	
INCORPORATED		SANTA ANA, CA 92705	
		(949) 417-5207	
DWG NO.	992LBP	REV	B
SCALE	1.000	REF.	-
		SHEET	3 OF 3