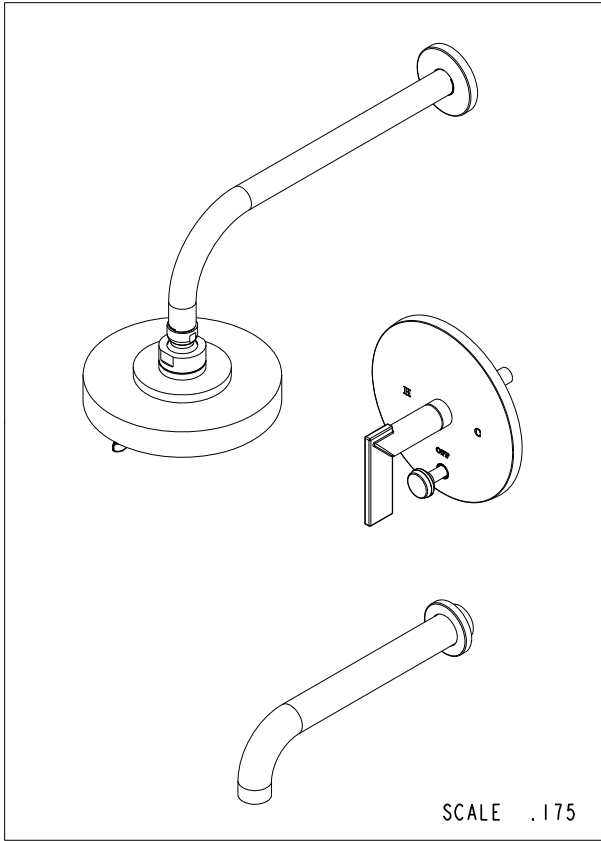


BILL OF MATERIAL (CURRENT LEVEL)

ITEM	PT/ASSY	DESCRIPTION	TYPE	QTY.
1	2-772	TUB AND SHOWER PLATE ASM	ASSEMBLY	1
2	2-739	HANDLE LEVER ASM	ASSEMBLY	1
3	2-217	DIVERTER TRIM KIT	ASSEMBLY	1
4	91019	O-RING #2-014	PART	1
5	3-419	SPOUT & ESCUTCHEON ASM - WALL MOUNT	ASSEMBLY	1
6	206-1	SHOWER - ESCUTCHEON ASM	ASSEMBLY	1
7	11753	SHOWER ARM - BENT	PART	1
8	2143	CONTEMP. SHOWER HEAD - 5 JETS	ASSEMBLY	1
9	1-255	TOOTH STEM & RING KIT FOR BP VALVE	ASSEMBLY	1



COPYRIGHT 2005 BRASSTECH, INC. THESE DRAWINGS AND THE DESIGNS DEPICTED HEREIN ARE THE PROPRIETARY PROPERTY OF BRASSTECH. ANY USE OR REPRODUCTION IS SUBJECT TO THE EXPRESS APPROVAL OF BRASSTECH. UNAUTHORIZED USE IS STRICTLY PROHIBITED. ALL RIGHTS RESERVED.

BRASSTECH
INCORPORATED
2001 E. CARNEGIE AVE.
SANTA ANA, CA 92705
(949) 417-5207

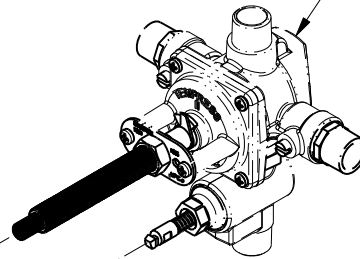
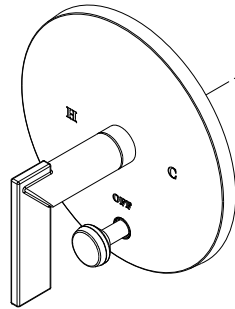
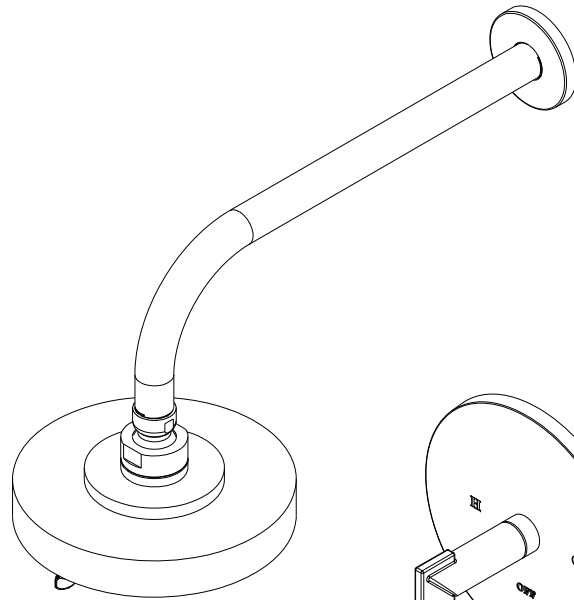
BIP TUB AND SHOWER TRIM

ASSY. NO. 3-2482BP		A	EN-1839	07/26/11
SCALE .250	REF. -	-	EN-0995-3	01/31/11
SHEET 1 OF 3		REV	REV DESC	DATE

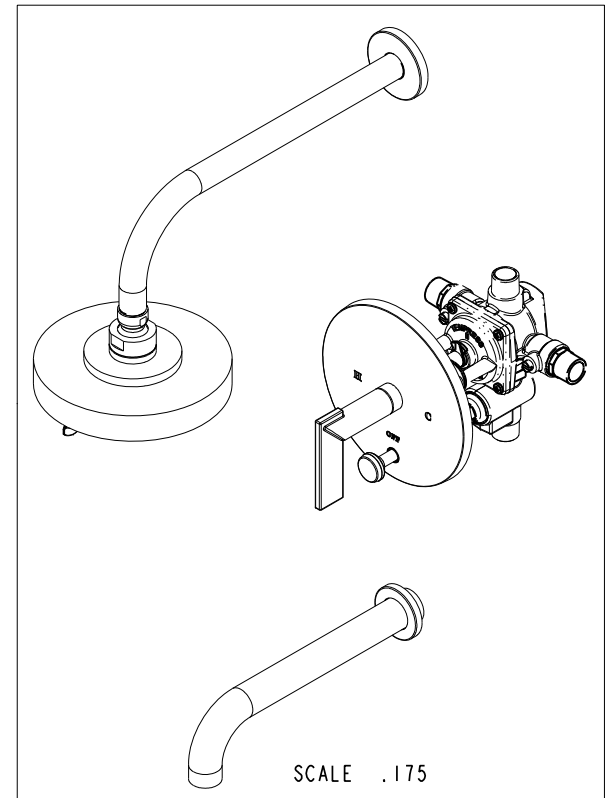
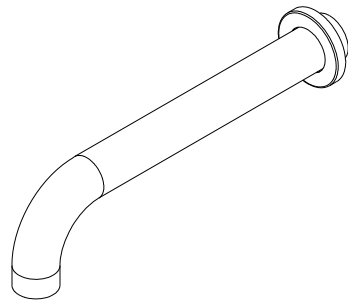
4 3 2 1

↓

SPECIFICATION DWG



PN: 1-595
SOLD SEPARATELY



DIMENSIONS ARE IN INCHES AND AN APPROXIMATION OF A TYPICAL INSTALLATION

COPYRIGHT 2005 BRASSTECH, INC. THESE DRAWINGS AND THE DESIGNS DEPICTED HEREIN ARE THE PROPRIETARY PROPERTY OF BRASSTECH. ANY USE OR REPRODUCTION IS SUBJECT TO THE EXPRESS APPROVAL OF BRASSTECH. UNAUTHORIZED USE IS STRICTLY PROHIBITED. ALL RIGHTS RESERVED.

BRASSTECH		<small>2001 E. CARNEGIE AVE. SANTA ANA, CA 92705 (949) 417-5207</small>	
INCORPORATED			
DWG NO.	3-2482BP	REV	A
SCALE .250	REF. -	SHEET 2	OF 3

4

3

2

1

D

C

B

A

D

C

B

A

SPECIFICATION DWG

NOTES:

- 1. CUT STEM TO DIMENSION SHOWN.
- 2. CUT ALL-THREAD 3/4" SHORTER THAN STEM.

D

C

B

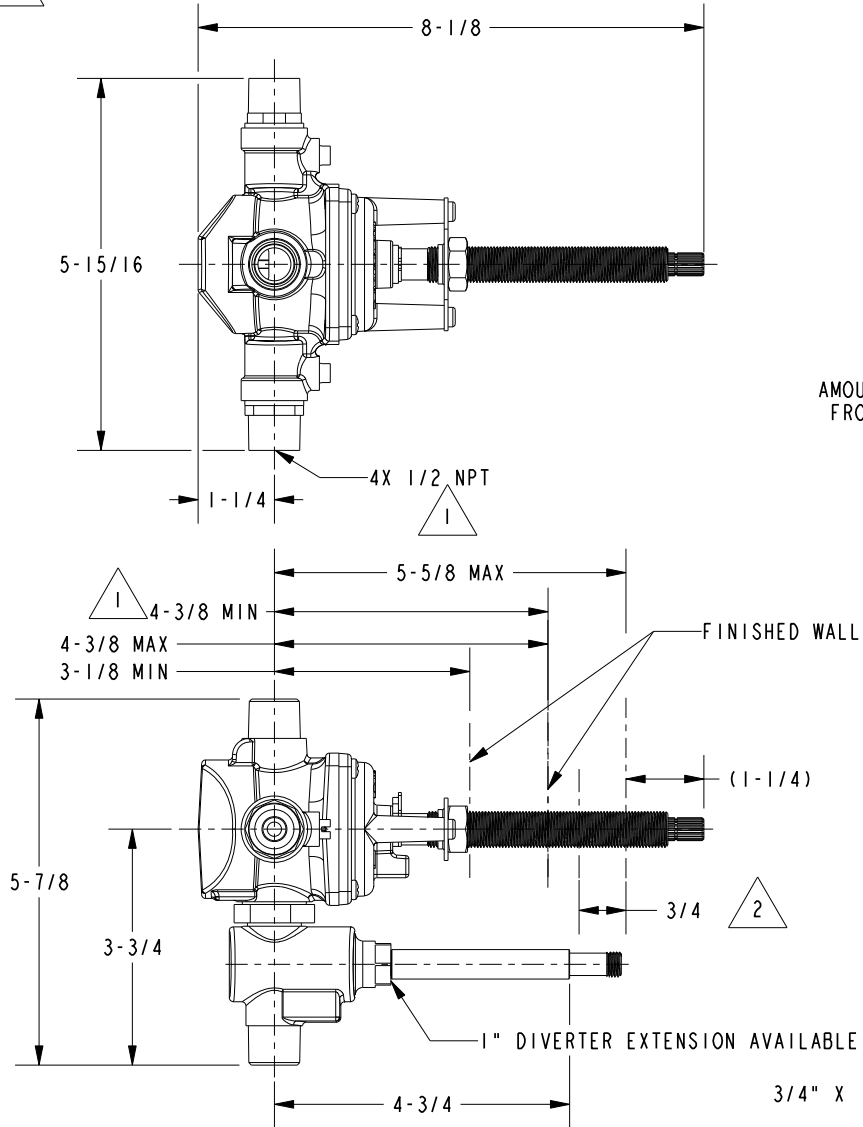
A

D

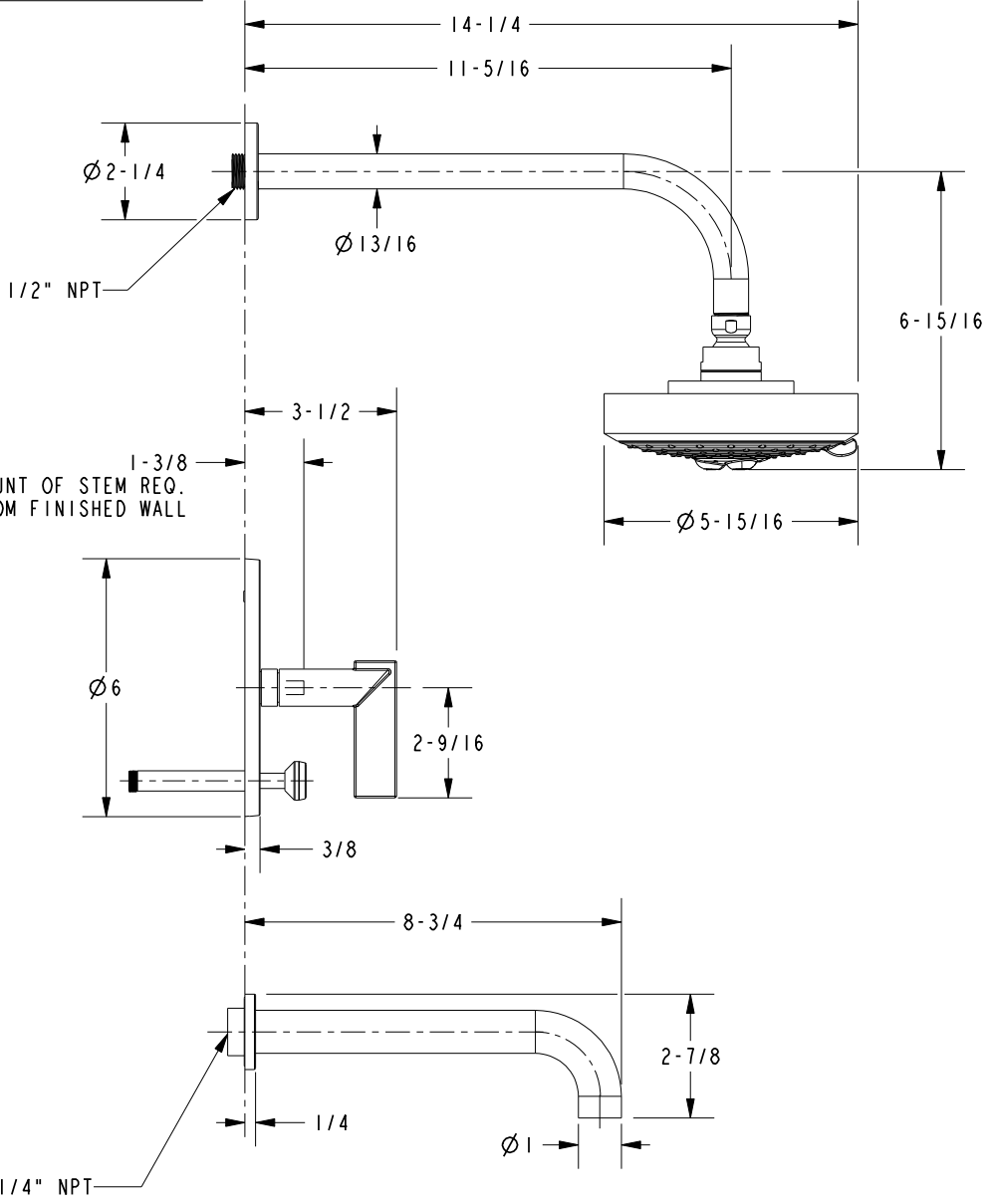
C

B

A



1-3/8
AMOUNT OF STEM REQ.
FROM FINISHED WALL



DIMENSIONS ARE IN INCHES AND AN APPROXIMATION OF A TYPICAL INSTALLATION

COPYRIGHT 2005 BRASSTECH, INC. THESE DRAWINGS AND THE DESIGNS DEPICTED HEREIN ARE THE PROPRIETARY PROPERTY OF BRASSTECH. ANY USE OR REPRODUCTION IS SUBJECT TO THE EXPRESS APPROVAL OF BRASSTECH. UNAUTHORIZED USE IS STRICTLY PROHIBITED. ALL RIGHTS RESERVED.

BRASSTECH		2001 E. CARNEGIE AVE.
INCORPORATED		SANTA ANA, CA 92705
		(949) 417-5207
DWG NO.	3-2482BP	REV A
SCALE .250	REF. -	SHEET 3 OF 3