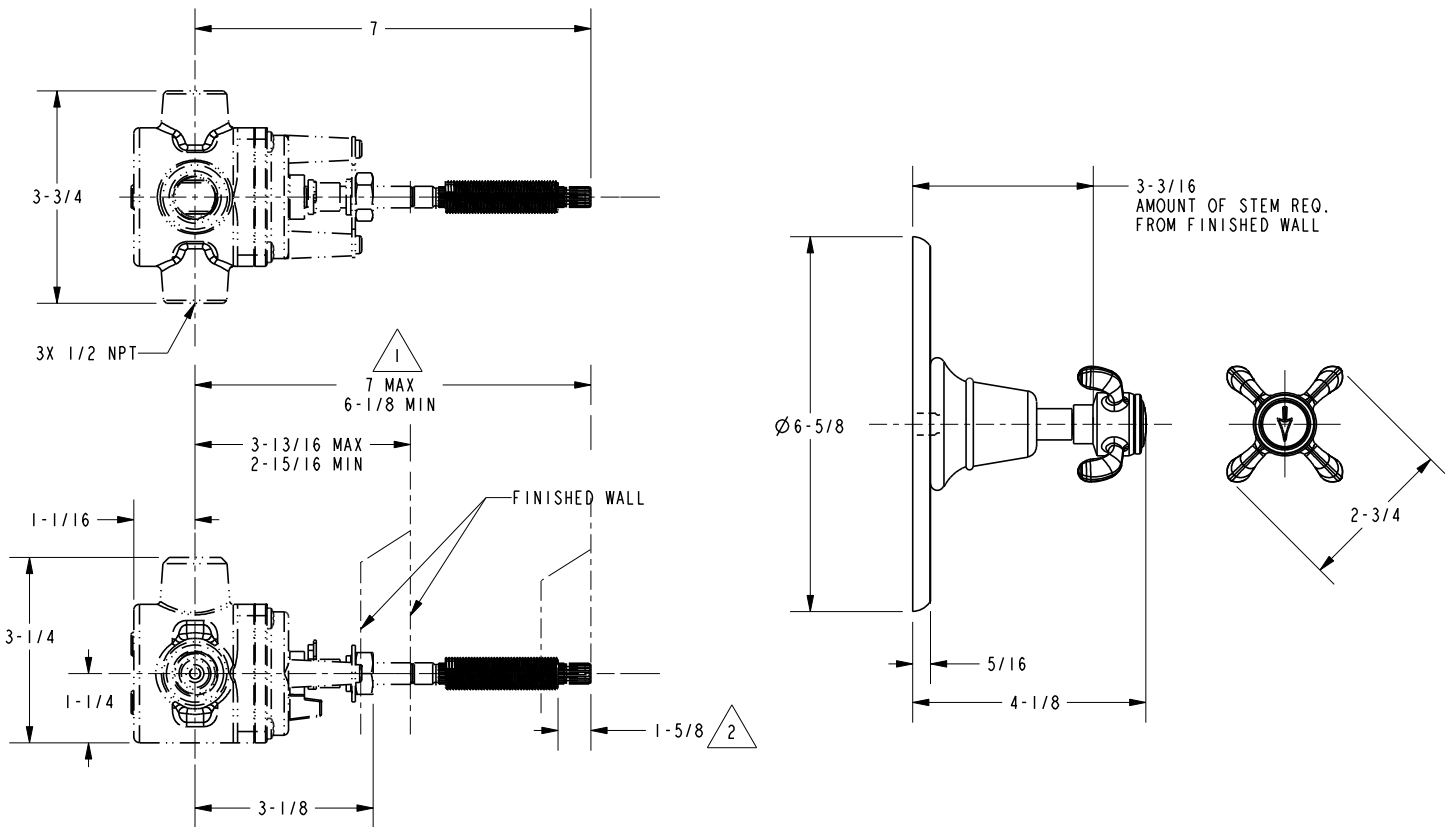




# 4-1684BP

**Product Dimensions** (units are in inches)



**NOTES:**

1. CUT STEM TO DIMENSION SHOWN.
2. CUT ALL-THREAD 1-5/8" SHORTER THAN STEM.
3. VALVE, PN: 1-504, SOLD SEPARATELY.

**Virginia Tub or Shower Trim**  
 (less tub spout or showerhead, arm & flange)  
**4-1684BP**

page 2 of 2 spec\_4-1684BP\_rev-b

**NEWPORT BRASS**  
 Flawless Beauty. From Faucet to Finish.™

t: 949.417.5207 | www.newportbrass.com  
 ©2014 Brasstech, Inc.