

BILL OF MATERIAL (CURRENT LEVEL)

ITEM	PT/ASSY	DESCRIPTION	TYPE	QTY.
1	10016	ESCUTCHEON BELL	PART	2
2	10286	END POST TOWEL ACCESSORY	PART	2
3	92000	SCREW 8 - 32 X 1/8 SS	PART	2
4	10123	18 IN. TOWEL BAR	PART	1
5	1-211	ACCESSORY MTG KIT	ASSEMBLY	2
6	1-125	HARDWARE KIT	ASSEMBLY	2

SCALE 0.200

COPYRIGHT 2005 BRASSTECH, INC. THESE DRAWINGS AND THE DESIGNS DEPICTED HEREIN ARE THE PROPRIETARY PROPERTY OF BRASSTECH. ANY USE OR REPRODUCTION IS SUBJECT TO THE EXPRESS APPROVAL OF BRASSTECH. UNAUTHORIZED USE IS STRICTLY PROHIBITED. ALL RIGHTS RESERVED.

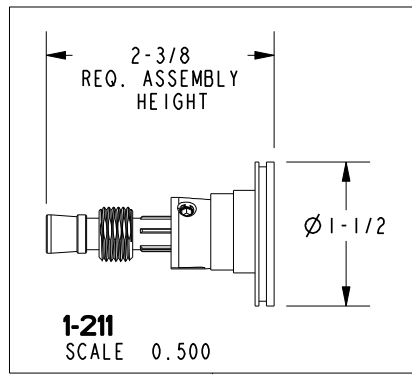
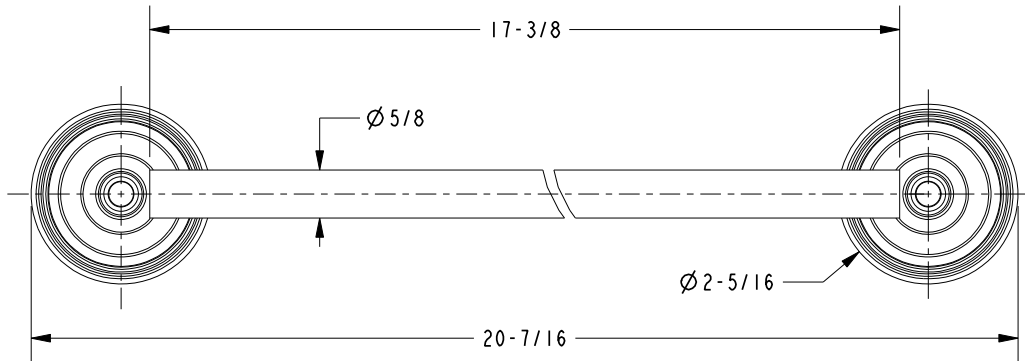
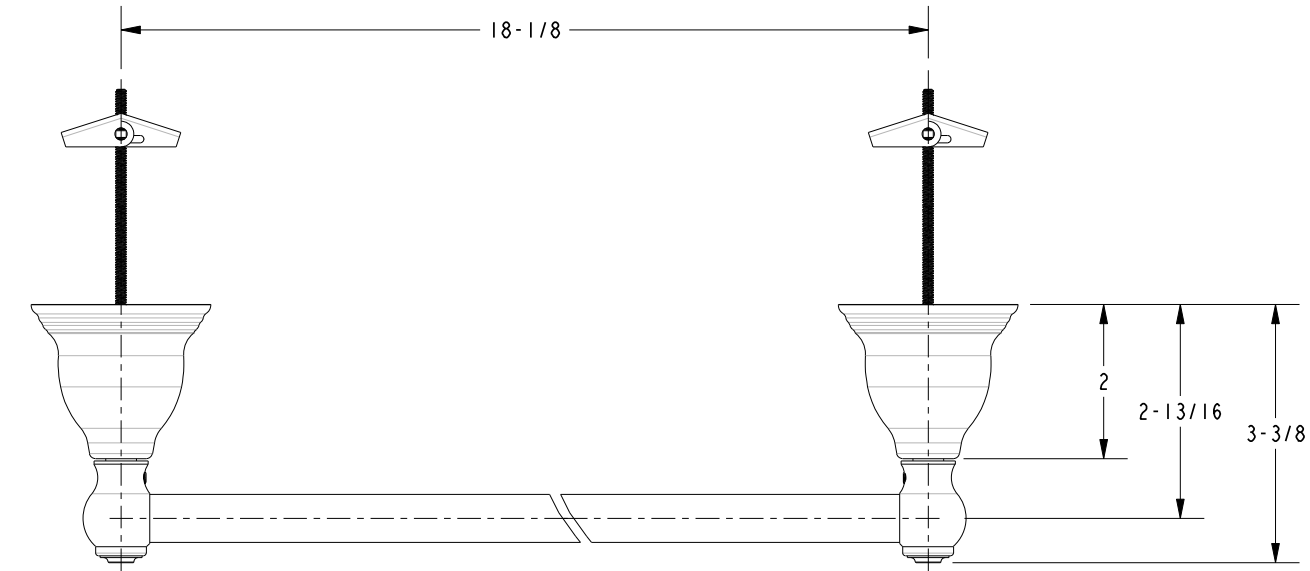
BRASSTECH
INCORPORATED
2001 E. CARNEGIE AVE.
SANTA ANA, CA 92705
(949) 417-5207

18" TOWEL BAR

ASSY. NO.	12-01		
SCALE 0.350	REF. -	SHEET 1 OF 2	REV
			REV DESC
			DATE

B	EN-1241a	05/07/09
A	EO-0360	06/24/04

SPECIFICATION DWG



DIMENSIONS ARE IN INCHES AND AN APPROXIMATION OF A TYPICAL INSTALLATION

COPYRIGHT 2005 BRASSTECH, INC. THESE DRAWINGS AND THE DESIGNS DEPICTED HEREIN ARE THE PROPRIETARY PROPERTY OF BRASSTECH. ANY USE OR REPRODUCTION IS SUBJECT TO THE EXPRESS APPROVAL OF BRASSTECH. UNAUTHORIZED USE IS STRICTLY PROHIBITED. ALL RIGHTS RESERVED.

BRASSTECH		2001 E. CARNEGIE AVE.	
INCORPORATED		SANTA ANA, CA 92705	
		(949) 417-5207	
DWG NO.	12-01	REV	B
SCALE 0.400	REF. -	SHEET 2	OF 2