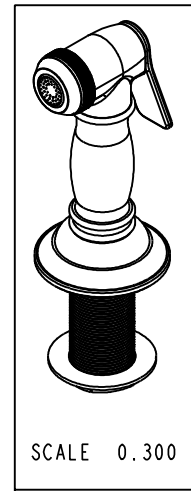


BILL OF MATERIAL (CURRENT LEVEL)				
ITEM	PT/ASSY	DESCRIPTION	TYPE	QTY.
1	10451	SPLIT RING	PART	1
2	10698	SPRAY HANDLE	PART	1
3	12021	HOSE, SPRAY, FEMALE CONNECTOR	PART	1
4	50114	MOUNTING NUT-1-1/8-18	PART	1
5	50967	NIPPLE -SIDE SPRAY	PART	1
6	91218	WASHER: .295 X .745 X .063	PART	1
7	91219	WSHR .385 ID X .745 OD X .114 THK, FLT, NSF 61 APR MAT	PART	1
8	91580	O-RING, 3 X 19MM ID, EPDM, 65-75 DURO	PART	1
9	2-853	KITCHEN SPRAY HEAD ESCUTCHEON - ASSEMBLY	ASSEMBLY	1
10	2-119B	SPRAY HEAD ASM	ASSEMBLY	1



H	EN-2160A	09/21/12
G	EN-2160	05/22/12
F	EN-2049	01/18/12
E	EN-1552-4	08/12/11
D	EO-0886	10/02/07
C	EO-0609	12/07/05

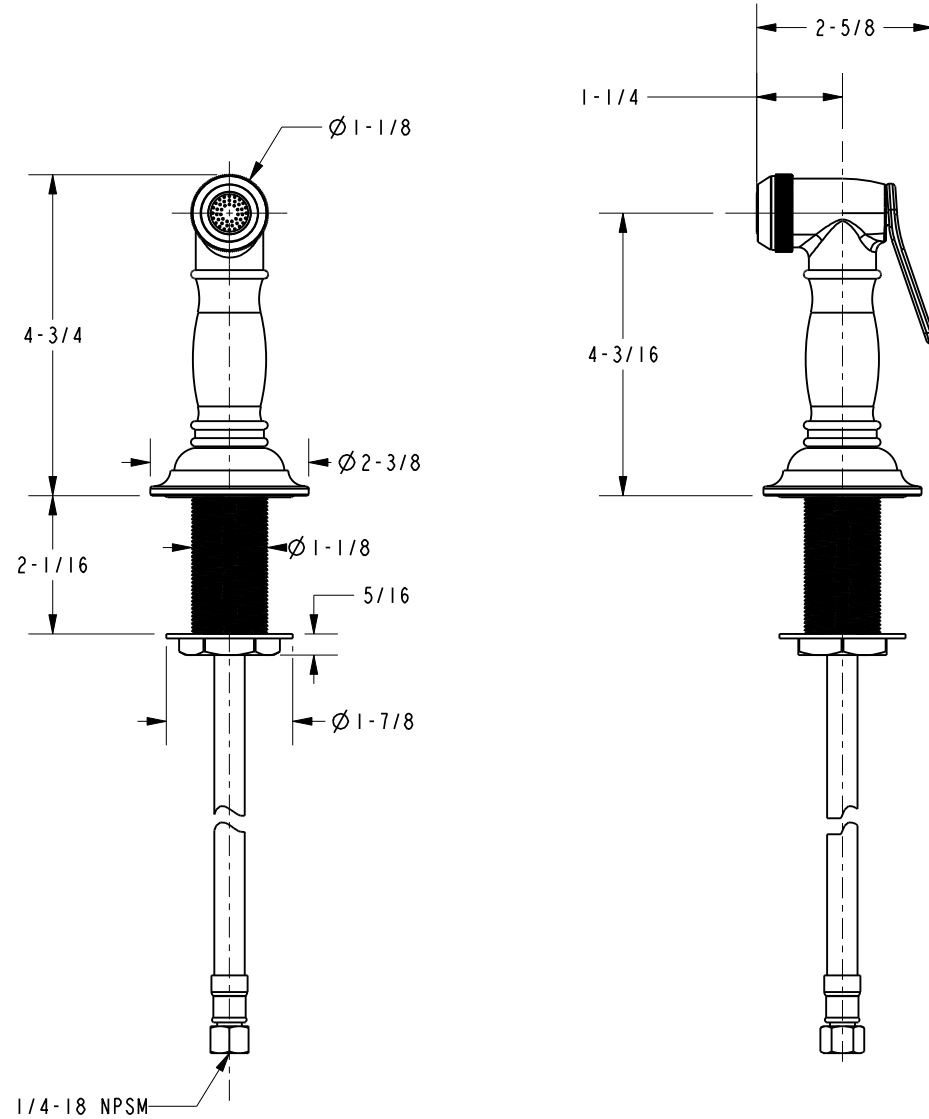
COPYRIGHT 2005 BRASSTECH, INC. THESE DRAWINGS AND THE DESIGNS DEPICTED HEREIN ARE THE PROPRIETARY PROPERTY OF BRASSTECH. ANY USE OR REPRODUCTION IS SUBJECT TO THE EXPRESS APPROVAL OF BRASSTECH. UNAUTHORIZED USE IS STRICTLY PROHIBITED. ALL RIGHTS RESERVED.

BRASSTECH
INCORPORATED
2001 E. CARNEGIE AVE.
SANTA ANA, CA 92705
(949) 417-5207

KITCHEN SPRAY HEAD

ASSY. NO.	129	
SCALE 0.300	REF. -	SHEET 1 OF 2
REV	REV DESC	DATE

SPECIFICATION DWG



DIMENSIONS ARE IN INCHES AND AN APPROXIMATION OF A TYPICAL INSTALLATION

COPYRIGHT 2005 BRASSTECH, INC. THESE DRAWINGS AND THE DESIGNS DEPICTED HEREIN ARE THE PROPRIETARY PROPERTY OF BRASSTECH. ANY USE OR REPRODUCTION IS SUBJECT TO THE EXPRESS APPROVAL OF BRASSTECH. UNAUTHORIZED USE IS STRICTLY PROHIBITED. ALL RIGHTS RESERVED.

BRASSTECH		2001 CARNEGIE AVE. SANTA ANA, CA 92705 (949) 417-5207	
INCORPORATED			
DWG NO.	129	REV	H
SCALE	0.350	REF.	-
		SHEET	2 OF 2