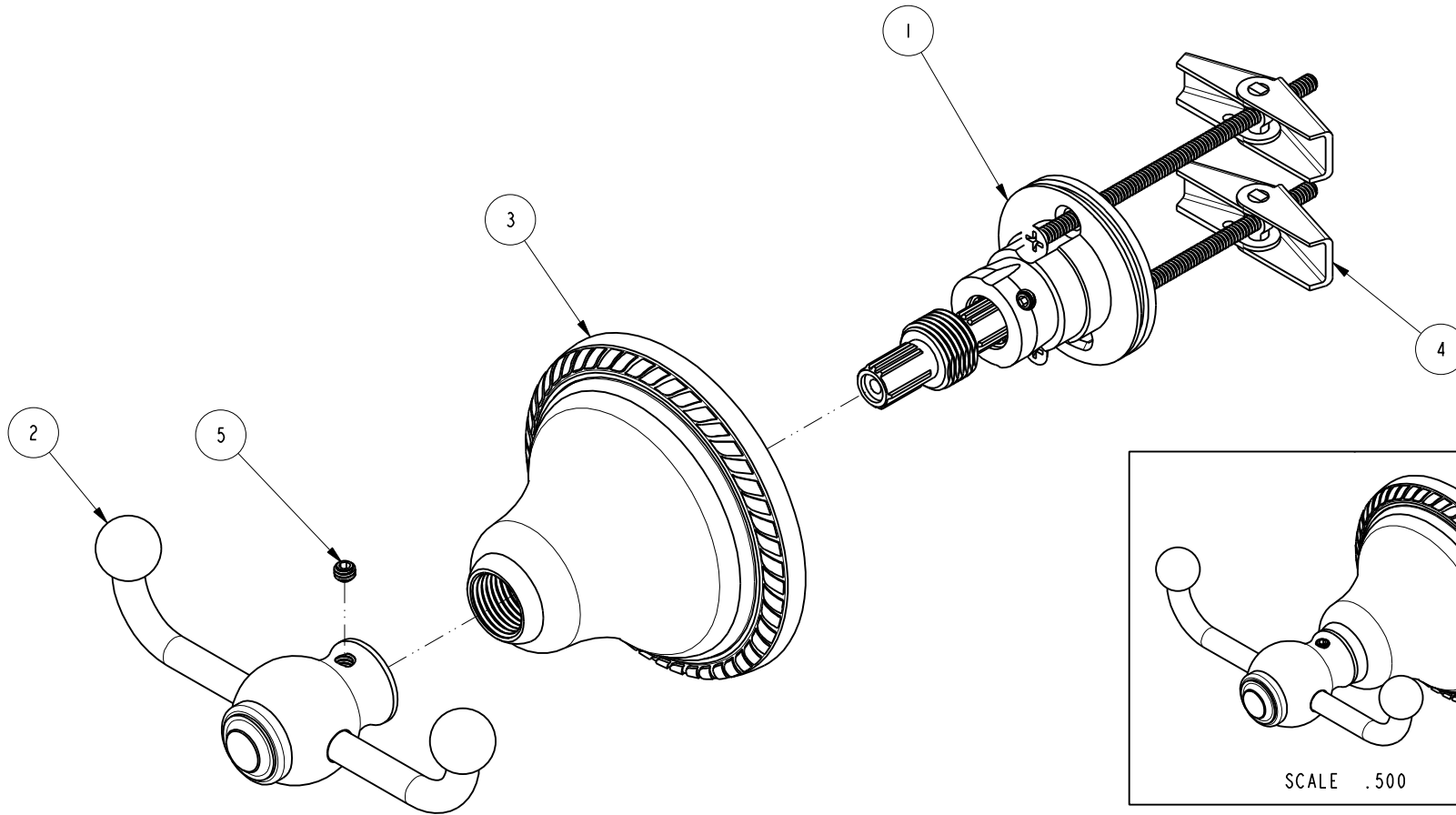


NOTES:

1. TO INSPECT ASSEMBLY, FOLLOW FIRST ARTICLE AND IN PROCESS INSPECTION SHEET.

BILL OF MATERIAL (CURRENT LEVEL)

ITEM	PT/ASSY	DESCRIPTION	TYPE	QTY.
1	1-212	ACCESSORY MTG KIT	ASSEMBLY	1
2	7-561	DOUBLE GARMENT HOOK POST ASSY	ASSEMBLY	1
3	2-183	ESCUTCHEON ASM	ASSEMBLY	1
4	1-125	HARDWARE KIT	ASSEMBLY	1
5	92000	SCREW 8 - 32 X 1/8 SS	PART	1



UNITS ARE: INCHES [MM]
 TOLERANCES ARE:
 FRACTIONS DECIMALS ANGLES
 $\pm 1/16"$.X $\pm .1$ [2.5] $\pm "$
 .XX $\pm .06$ [1.5]

(X.XXX) DENOTES CRITICAL DIMS.
 ALL THREADS ARE CRITICAL

BRASSTECH 2001 CARNEGIE AVE.
 INCORPORATED SANTA ANA, CA 92705
 (949) 417-5207

DOUBLE GARMENT HOOK, ASM T6

ZONE	REV	DESCRIPTION	DATE	APPROVED
-	B	EN-4300†	10/25/21	R.S.
-	A	EN-1241a	09/14/09	-
-	-	RELEASED	08/29/03	-

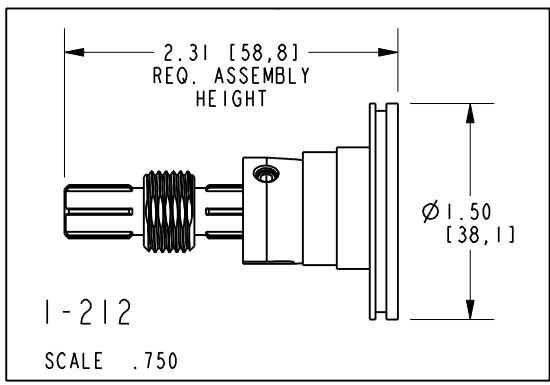
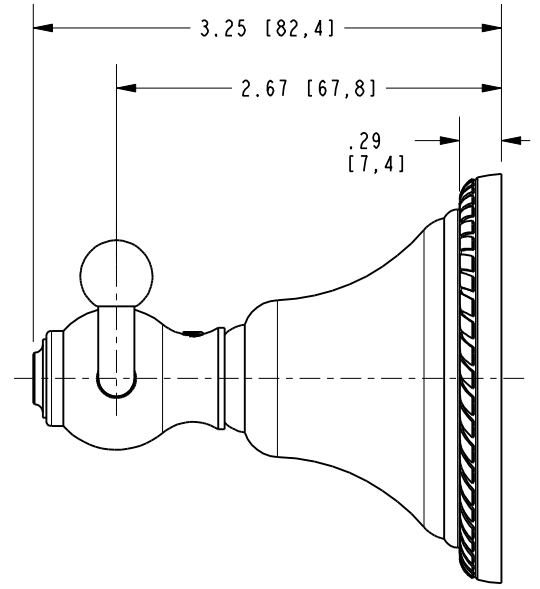
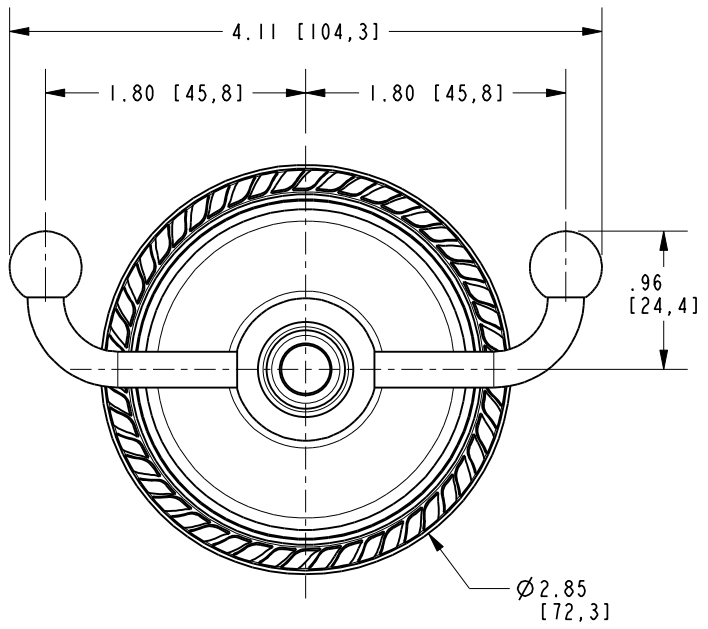
COPYRIGHT 2005 BRASSTECH, INC.
 THESE DRAWINGS AND THE DESIGNS
 DEPICTED HEREIN ARE THE PROPRIETARY
 PROPERTY OF BRASSTECH. ANY USE
 OR REPRODUCTION IS SUBJECT TO
 THE EXPRESS APPROVAL OF BRASSTECH.
 UNAUTHORIZED USE IS STRICTLY
 PROHIBITED. ALL RIGHTS RESERVED.

TESTING	ASSEMBLY	PLATING	POLISHING	MACHINING	TOOLING FIXTURE #	APPLICATION
-	-	-	-	-	-	REMOVE ALL BURRS AND SHARP EDGES
-	-	-	-	-	-	USED ON
-	-	-	-	-	-	APPROVED

DRAWN	CHECKED	APPROVED
JINSON	R.S.	R.S.
10/25/21	10/25/21	10/25/21

DWG NO.	SCALE	REF.	SHEET	OF
15-13	.750	-	1	2

REV B



BRASSTECH		2001 E. CARNEGIE AVE. SANTA ANA, CA 92705 (949) 417-5207
DWG NO.	15-13	REV B
SCALE .750	REF. -	SHEET 2 OF 2