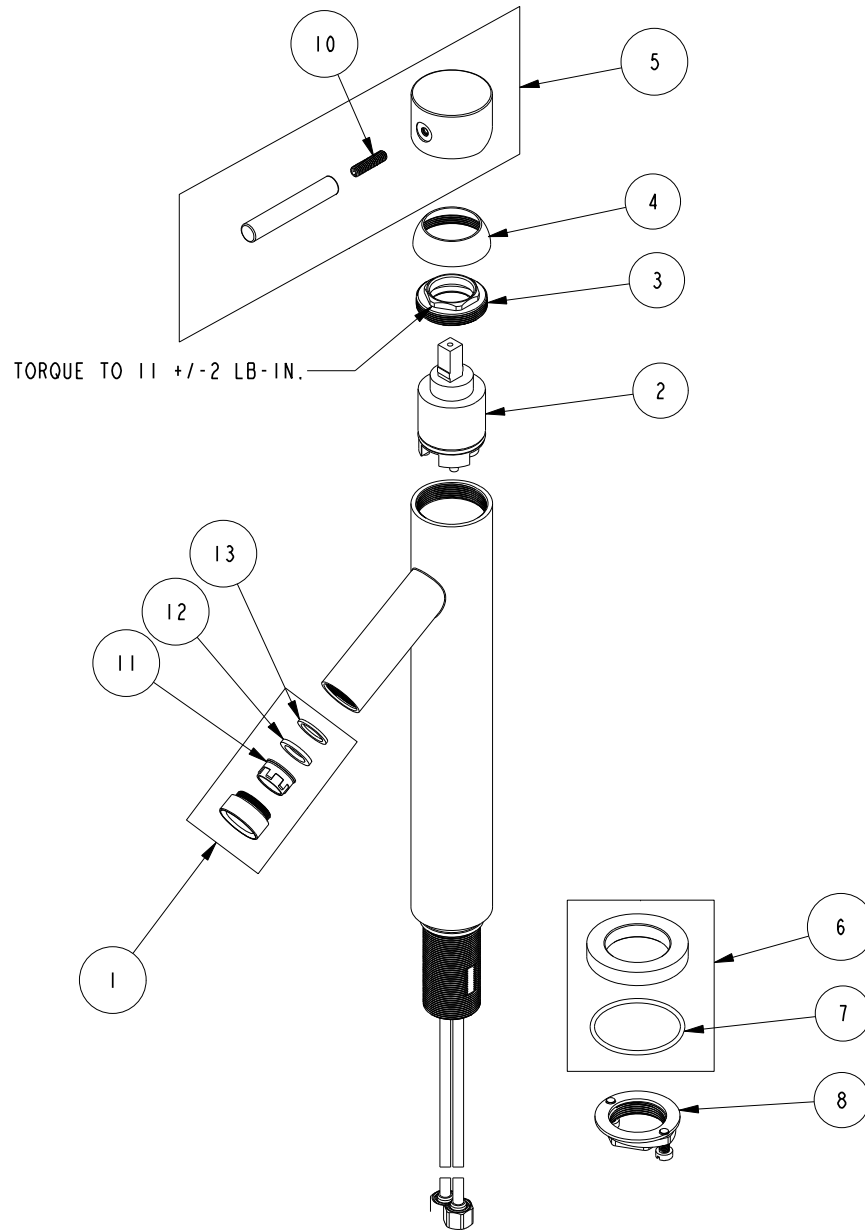


# REPLACEMENT PARTS



ITEM	PT/ASSY	SPECIFY FINISH	DESCRIPTION
1	2-629	YES	AERATOR ASM
2	1-100		CARTRIDGE ASM
3	92135		MOUNTING NUT - CARTRIDGE
4	11019	YES	ESCUTCHEON - CARTRIDGE
5	2-334	YES	HANDLE ASM
6	20-351	YES	BASE RING ASM
7	91753		O-RING, # 2-136, EP, 50 DURO - GREY
8	1-256		MOUNTING KIT
10	92134		SCRW, 1/4-20 X 1" SKT HD CUP PT SS (MMC# 92311A542)
11	12404		AERATOR INSERT, STD SIZE, 1.2 GPM
12	91014		WSHR, .59 ID X .84 OD X .095 THK, FLT, RUBBER NSF 61
13	91040		WSHR, .590 ID X .825 OD X .072 THK, FLT, RUBBER NSF 61

**SGL HDL BAR FAUCET  
1508**

REV J EN-4588 12/05/22 APPROVED R.S.

**NEWPORT BRASS.**

t: 949.417.5207 | www.newportbrass.com