

## BRIDGE FAUCET

SKU: 918022, 918961, 918962

### BEFORE YOU BEGIN

We recommend consulting a professional if you are unfamiliar with installing plumbing fixtures. Signature Hardware accepts no liability for any damage to the faucet, plumbing, sink, counter top, or for personal injury during installation.

Observe all local plumbing and building codes.

Unpack and inspect the faucet for shipping damage. If any damage is found, contact our Customer Relations team at 1-866-855-2284.

---

### GETTING STARTED

- Ensure that you have gathered all the required materials that are needed for the installation.
- For these instructions, it is assumed that the old faucet has been completely removed and any necessary repairs or modifications to the water supply have been completed.

### TOOLS AND MATERIALS:



Plumbers  
Tape



Thread  
Sealant



Adjustable  
Wrench



Small  
Bucket



Phillips  
Screwdriver

For Warranty information, please visit: [signaturehardware.com/services/warranty](https://signaturehardware.com/services/warranty)

REVISED 02/17/2020  
CODES: 508689, 508690  
508691, 508692, 508693

# MONROE

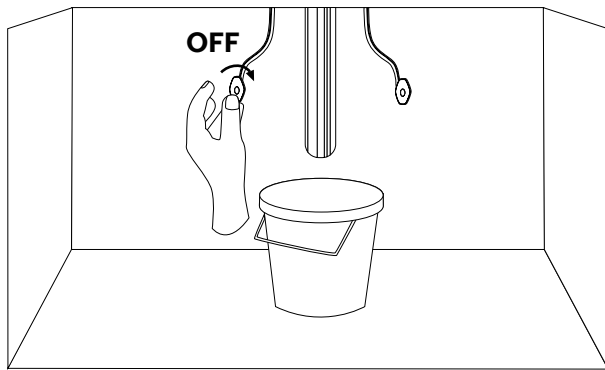
## BRIDGE FAUCET

SKU: 918022, 918961, 918962

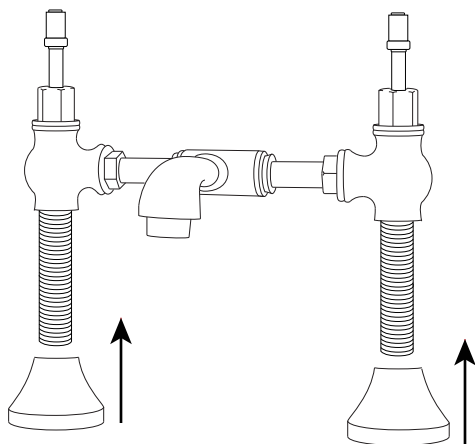
### INSTALLATION

1. Ensure that the water supply below your sink is completely shut off by turning the shutoff valves all the way to the right.

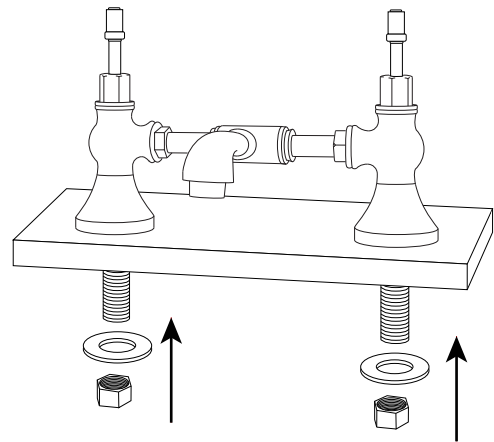
**Tip:** Place a small bucket below your workspace to catch any water that may drip during the installation process.



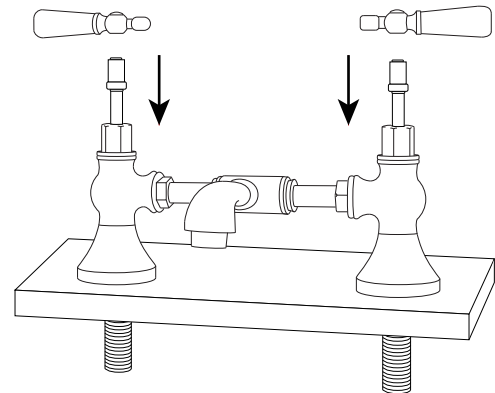
2. Slide the bell flanges onto the faucet, then insert the faucet through the mounting holes in your counter top, as shown.



3. From beneath the sink, slide the rubber washers onto the faucet body. Thread the locknuts onto the threaded shanks until hand tight. Tighten firmly.



4. Attach the handles to the faucet's valve stems, as shown.

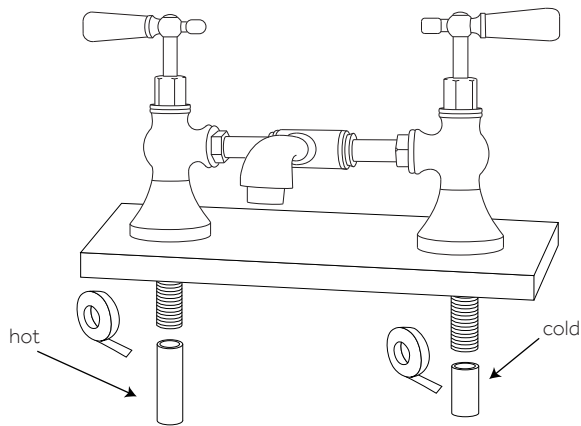


# MONROE

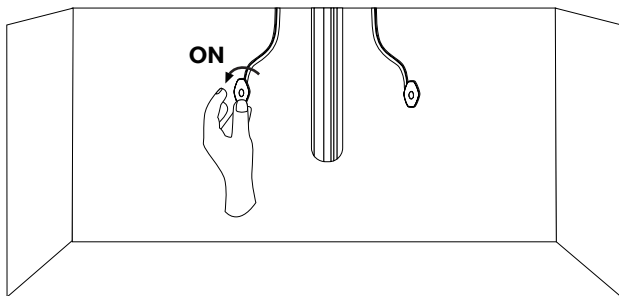
## BRIDGE FAUCET

SKU: 918022, 918961, 918962

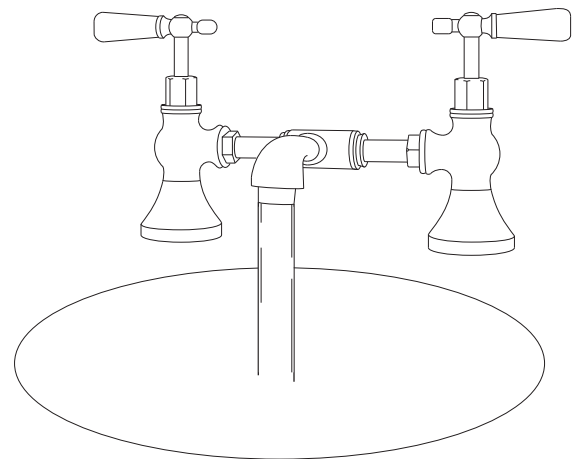
5. Connect the main water supply lines to the faucet. Apply plumber's tape or thread sealant to the threads before tightening. Use an adjustable wrench to tighten, be careful not to overtighten. Ensure that you are connecting the hot and cold lines appropriately.



6. Once installation is complete, turn the main water supply back on from underneath your sink. Check for any leaks underneath.



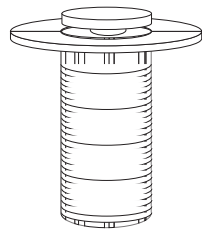
7. Proceed to the drain installation. Once completed, remove the aerator from the spout and turn the faucet on for approximately 60 seconds to remove any dust or loose sediment from the water lines. Ensure that there are no leaks, and that both hot and cold water are running properly. Turn the water off and reattach the aerator.



### DRAIN INSTALLATION

1. Dissassemble the drain assembly and lay the parts aside, in the same order they were removed. See the illustration below as a reference if needed.

Pop-Up Drain



Flat Rubber Gasket



Tapered Rubber Gasket



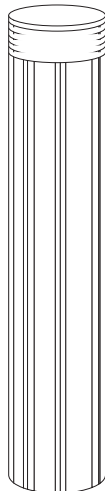
Plastic Friction Washer



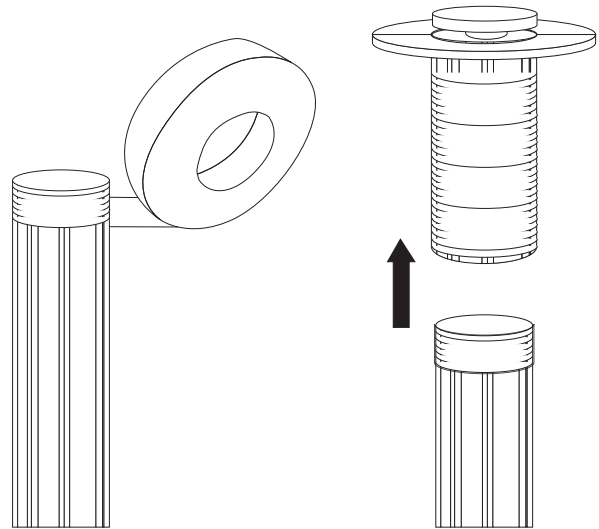
Lock Nut



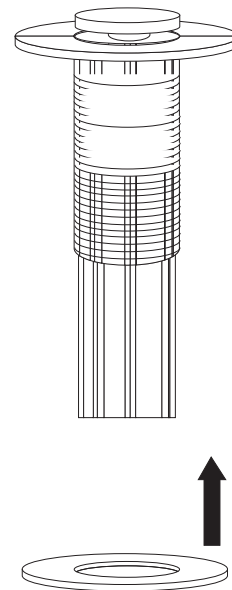
Tailpiece



2. Apply plumber's tape to the threading on the tailpiece, then reattach the tail piece to the pop-up drain flange.



3. Slide the flat rubber gasket up the tailpiece until it meets the lip of the pop-up drain flange.

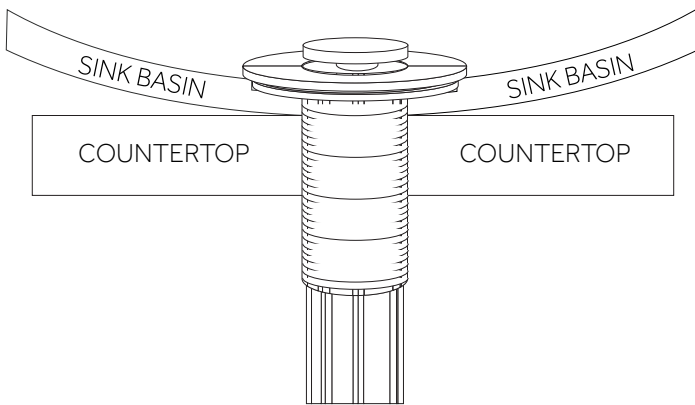


# MONROE

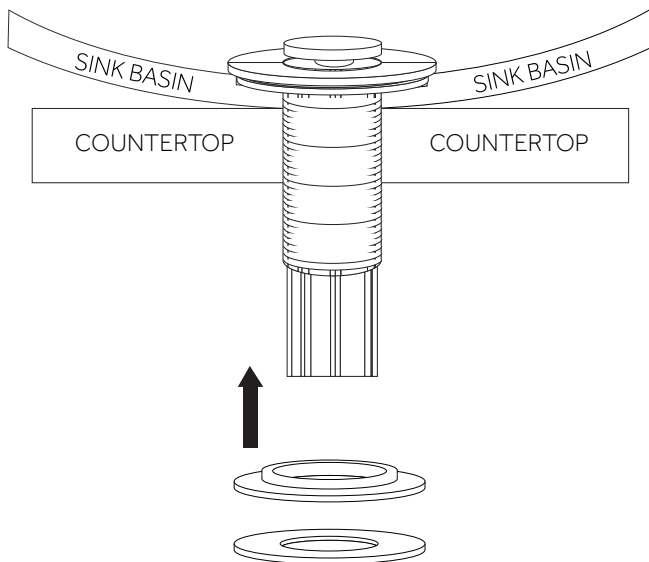
## BRIDGE FAUCET

SKU: 918022, 918961, 918962

4. Insert the drain flange and tailpiece through the top of your sink's drain hole.



5. From under your counter, slide the tapered rubber gasket followed by the plastic friction washer onto the tailpiece until they meet your sink or countertop. Be sure that the tapered side of the rubber washer is facing up.



6. Thread the lock nut onto the drain flange. Hand tighten until secure, then finish tightening with an adjustable wrench once the drain is properly aligned.

**Important:** Be careful not to overtighten, which could crack a porcelain sink or stone countertop.

