

GOODWIN

CAST IRON CLAWFOOT TUB

SKU: 931043, 931050, 931049, 931051, 931042, 916652

BEFORE YOU BEGIN

We recommend consulting a professional if you are unfamiliar with installing bathroom fixtures and plumbing. Signature Hardware accepts no liability for any damage to the floor, walls, plumbing, or personal injury during installation.

Observe all local plumbing and building codes.

Unpack and inspect the tub for damage. If any damage is found, contact our Customer Relations team at 1-855-715-1800.

GETTING STARTED

- Ensure that you have gathered all of the required materials that are needed for the installation.
- Ensure that your bathroom floor is adequately supported, and the finished floor is level.
- Keep the plumbing connections around the tub easily accessible for any future maintenance that may be necessary.

PLANNING

Use the tub's PDF specification sheet as a reference when planning your layout. The specification sheet can be found and downloaded from the product page on our website.

Because the tub specification measurements are approximate and slight variations may occur, we highly recommend performing any rough-in procedures with the tub on site. For on-site rough-in information, go to the appropriate drain installation section.

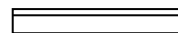
TOOLS AND MATERIALS:



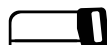
Pencil*



Tape Measure*



Straight Edge*



Hacksaw*



Thread Sealant*



Plumber's Tape*



Adjustable Wrench*



Neutral Cure Silicone Sealant*



Damp Cloth*



Level*



Plumb Line*

*not included

REVISED 04/20/2020

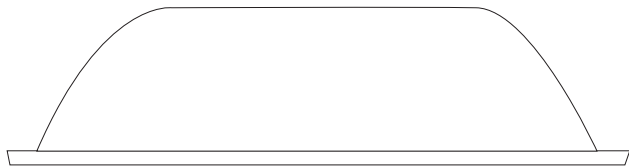
CODES: 439829, 512831, 306480, 306481, 306483, 306484, 306482, 503091, 503092, 503093, 503094, 503095, 503096, 503097, 503104, 508557, 508558, 508559, 508560, 508561, 508562, 508521, 508522, 508523, 508524, 508525, 508526, 508527, 515516, 503241, 503240, 503239, 503238, 503237, 503236, 517322, 517321, 497995, 517324, 517325

For Warranty information, please visit: signaturehardware.com/services/warranty

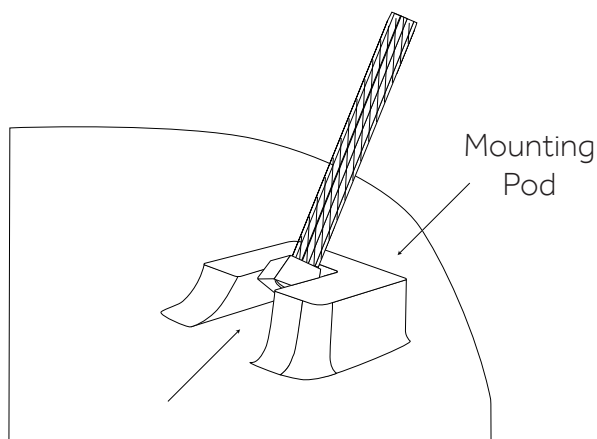
INSTALLATION

STEP 1: ATTACHING THE FEET

1. Carefully lay the tub upside down on towels or other padding so that the bottom of the tub is facing up.

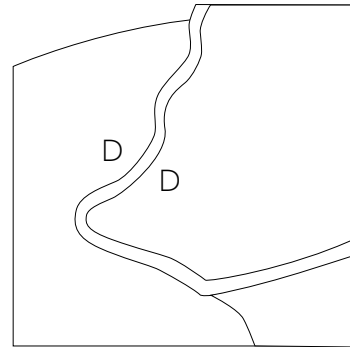


2. Each dovetail bolt will slide into one of the four slotted mounting pods as shown.

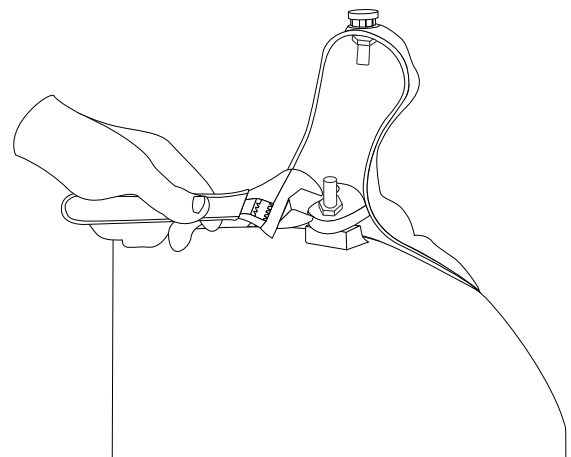


3. Match each tub foot with its corresponding pod, as shown below. If the letters on your tub and feet do not match, lay the feet out on the floor and check to see if all feet are the same size. If one pair of feet are slightly shorter than the second pair, then the shorter pair are meant to mount on the side of the tub containing the drain hole.

Important: If the feet are not installed in their correct locations, the tub will not properly drain. Use a level to ensure that the inside of the tub is sloped towards the drain before moving on to tub installation.



4. Slide the foot down over the dovetail bolt. Thread a flat washer, locking washer and nut onto the bolt (in that order).



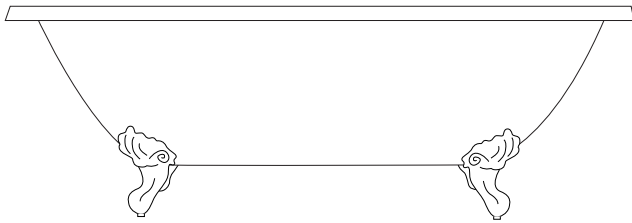
GOODWIN

CAST IRON CLAWFOOT TUB

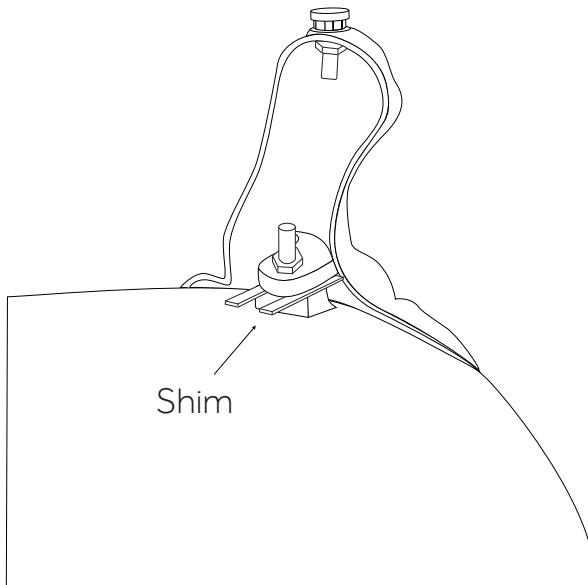
SKU: 931043, 931050, 931049, 931051, 931042, 916652

5. After all feet are attached, flip the tub over and allow it to rest on the floor.

Important: Do not lift the tub by the feet. Be sure to lift the tub by the rim and body only.

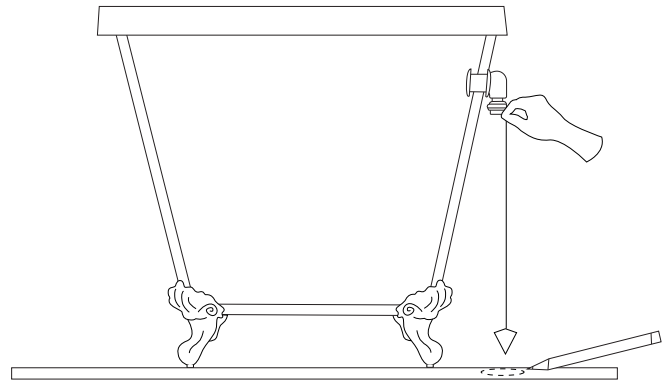


6. If the tub feet do not sit flush on the floor, shims may need to be added to the feet. To add shims, remove the foot and install the shim between the foot and the foot bolt. When the foot is aligned properly, secure it back to the tub.

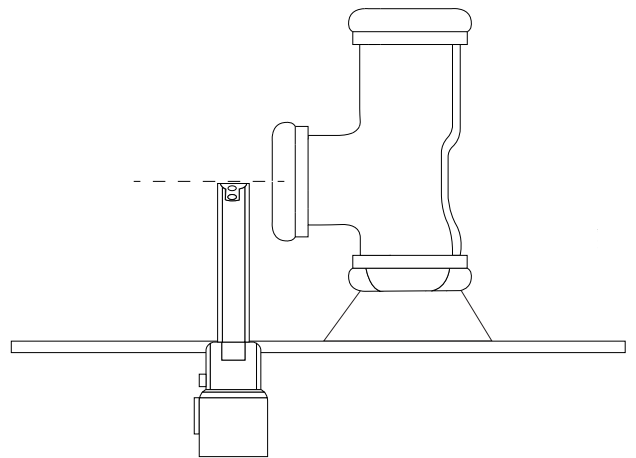


STEP 2: TUB INSTALLATION

1. Set the tub in the desired installation location and drop a plumb line from the center of the overflow hole to the floor. This will determine your drain location. Mark the drain hole location on the floor.



2. Move the tub away from the installation location so that the floor plumbing can be installed. Place the drain pipe at the appropriate height for the waste and overflow piping. To determine this, you will need to temporarily fit your drain pipe into the tub and measure from the floor to the center of the drain pipe.

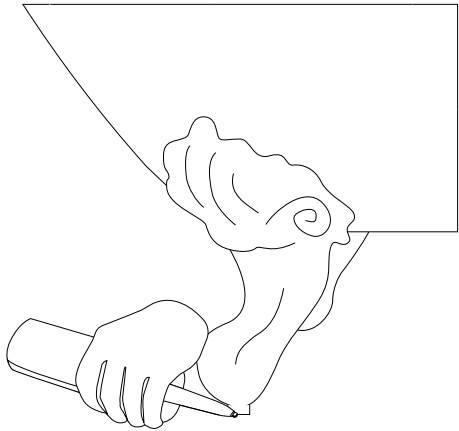


GOODWIN

CAST IRON CLAWFOOT TUB

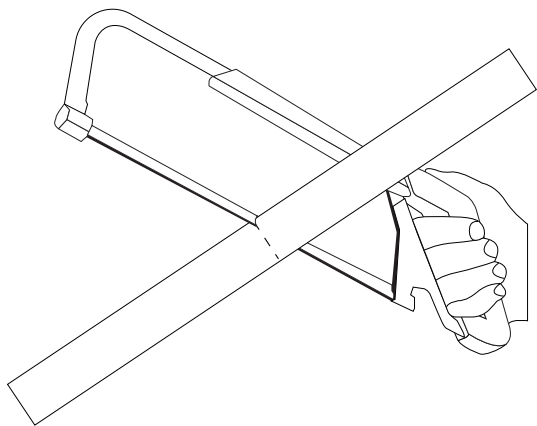
SKU: 931043, 931050, 931049, 931051, 931042, 916652

3. Carefully set the tub back into position and adjust the feet adjusters as necessary. Once level, apply a generous bead of silicone on the bottom of the feet. This will prevent the tub from shifting after installation.

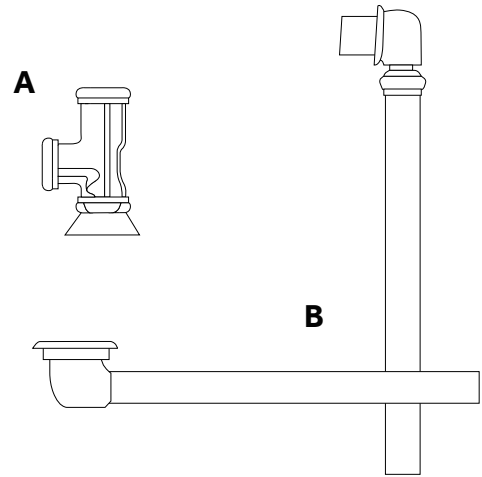


4. Next you will need to trim your drain and overflow pipes to the appropriate sizes. Steps 5-8 will walk you through.

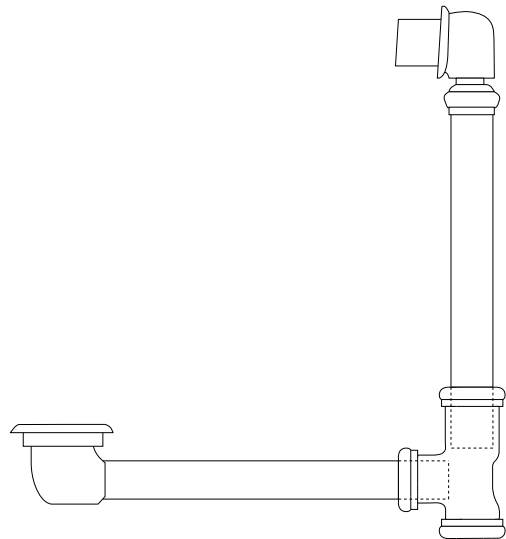
5. To trim the drain and overflow pipes appropriately, you will need to temporarily fit the overflow and drain assemblies to the tub.



6. The overflow tee (A) will be attached at the points where the drain pipes intersect (B).



7. Measure and mark each pipe so that the end of the pipe reaches a little over halfway into the overflow tee.

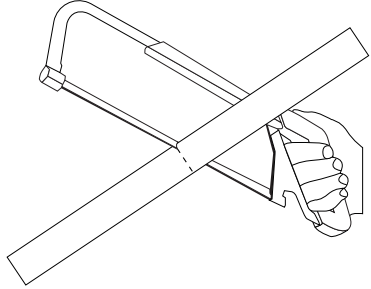


GOODWIN

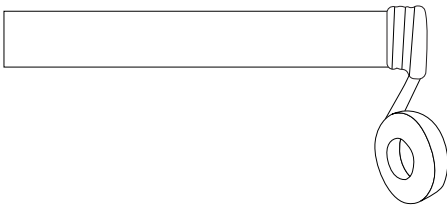
CAST IRON CLAWFOOT TUB

SKU: 931043, 931050, 931049, 931051, 931042, 916652

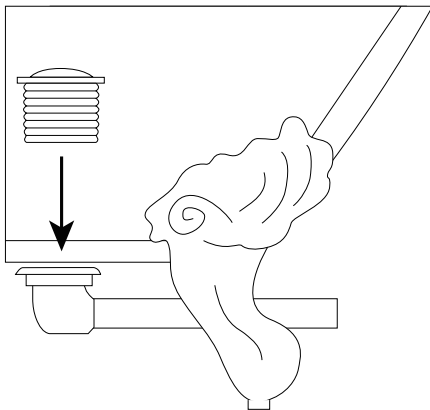
8. Remove the drain and overflow assembly from the tub, and trim the pipes at the marked locations with a hacksaw. Make sure that the blade is suitable for cutting metal.



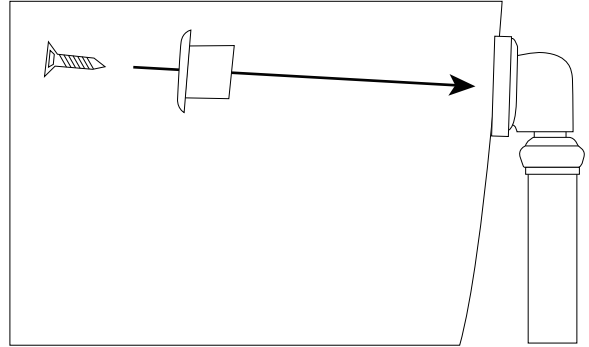
9. Apply thread sealant or plumber's tape to the threaded ends of all pipes prior to assembly. If two pipes arrive attached, be sure to take them apart and do the same. Do not apply any tape or sealant to any compression fittings. Follow steps 10-13 for drain assembly instructions.



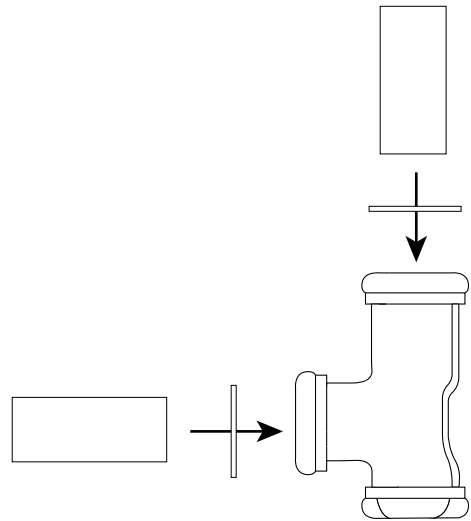
10. Apply 100% neutral cure silicone sealant to the underside of the drain flange and thread it through the tub and into the drain pipe. Apply thread sealant or plumber's tape to the threaded connection to ensure a water-tight seal. Tighten by hand. Wipe away any excess sealant using a damp cloth.



11. Install the overflow assembly with the beveled washer, overflow plate, mounting screw (provided) and any other washers or rubber sealing gaskets included.



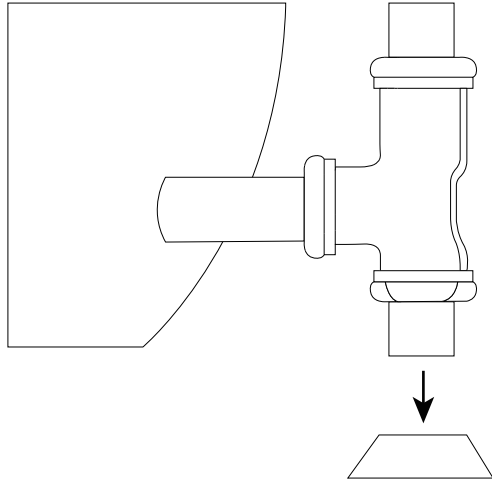
12. Attach the waste and overflow tee to the overflow assembly and shoe assembly with sealing washers and slip nuts. The beveled end of the sealing washer should face the tee.



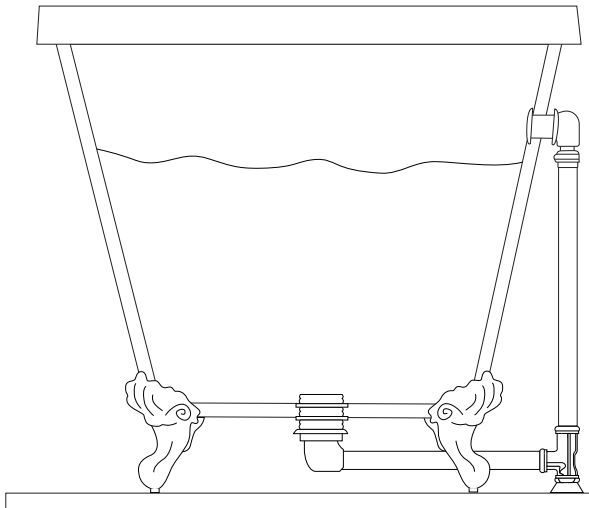
CAST IRON CLAWFOOT TUB

SKU: 931043, 931050, 931049, 931051, 931042, 916652

13. Attach the drain tube and flange to the waste and overflow tee with the sealing washer and slip nut. The beveled end of the sealing washer should face the tee.



14. When your tub is in place and all connections have been made, fill the tub with water to check for any leaks from the connections. Verify that the drain and overflow are working properly.



CLEANING AND MAINTENANCE

Cast iron tubs have a porcelain enamel surface that is fused to the cast iron under high temperatures and is one of the best heat-resistant coatings available. Porcelain enamel is a hard, glass-like surface that is not easily scratched and is extremely durable.

A thorough rinsing and wipe down with a soft cloth is recommended after each use. For a more extensive cleaning, clean with a gentle soap, such as a dish washing liquid or an all-purpose cleaner. Avoid abrasive cleaners which can damage your tub. The exterior of the tub is coated with oil-based paint that should be cleaned with soap and water. Mineral spirits should be avoided.

Porcelain enamel can be chipped if it sustains a very hard impact. Repairing chipped porcelain requires a strong repair material with a trusting bonding agent. If this occurs, we recommend the services of a professional to repair the damaged area.