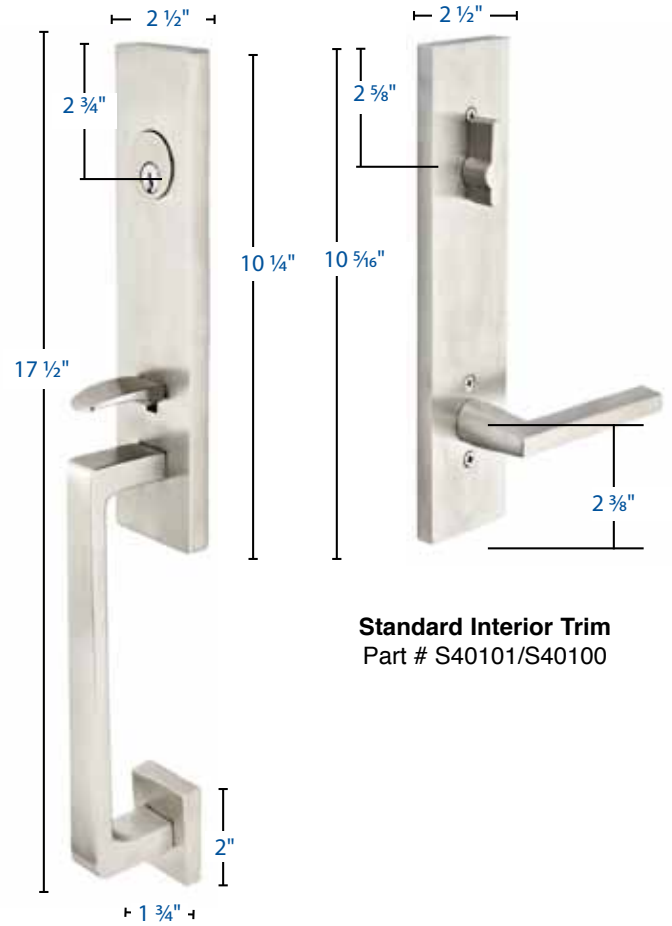


**Standard Interior Trim**  
Part # S40001/S40002/S40000

**Zeus Style**  
Part # S40001/S40002/S40000



**Standard Interior Trim**  
Part # S40101/S40100

**Davos Style**  
Part # S40101/S40100

**Additional Dimensions: (Part # S40001/S40002)**

- Exterior Projection is 2 1/2"
- Interior Projection Depends on Handle Style
- Overall Grip thickness: 1 1/16"
- Clearance between door & grip is 1" - 1 3/8"
- Plates thickness: 7/16"

***Same Dimensions for Dummy Function***

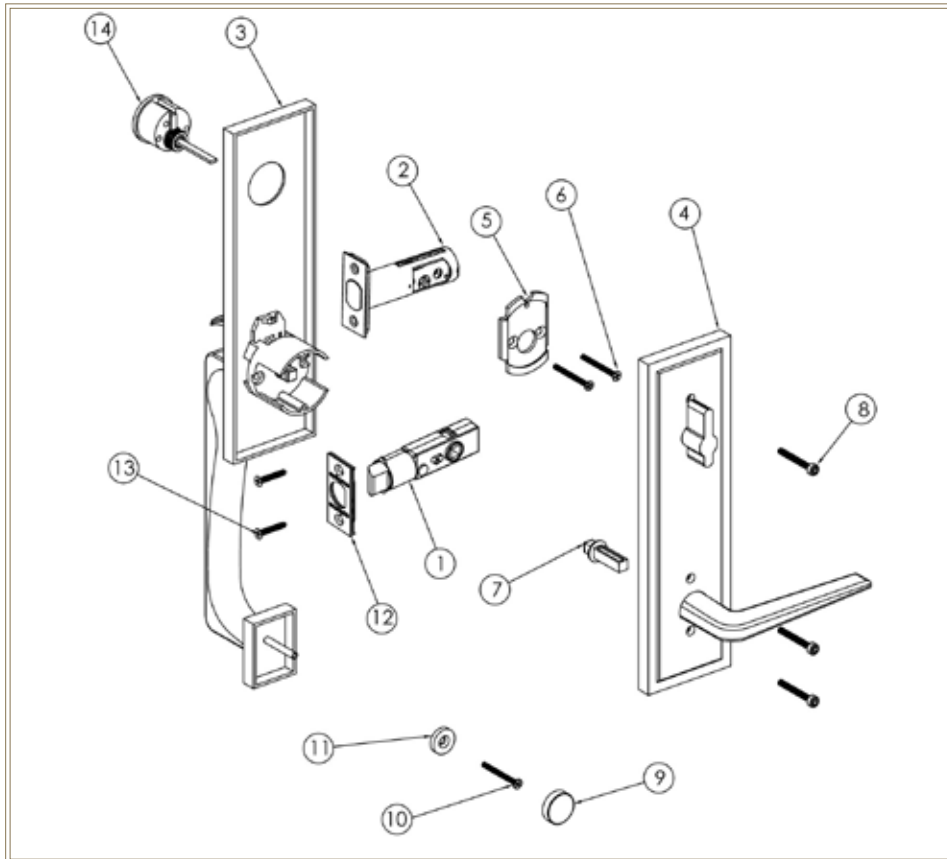
**Additional Dimensions: (Part # S40101/S40100)**

- Exterior Projection is 2 3/4"
- Interior Projection Depends on Handle Style
- Overall Grip thickness: 1"
- Clearance between door & grip is 1" - 1 3/4"
- Plates thickness: 1/2"

***Same Dimensions for Dummy Function***

### Door Prep Specifications:

- Fits standard door prep-- $2\frac{1}{8}$ " face bore & 1" edge bore.
- Fits a range of door thickness from  $1\frac{3}{8}$ " to 2". ( $2\frac{1}{4}$ "-  $2\frac{3}{4}$ ", Please specify)
- $5\frac{1}{2}$ " Center to Center spacing.



### Legend

- 1) Passage Latch
- 2) Deadbolt Latch
- 3) Outside Handle Plate
- 4) Inside Plate
- 5) Deadbolt Mounting Plate
- 6) Deadbolt Machine Screws
- 7) Inside Spindle
- 8) Inside Plate Machine Screws
- 9) Decorative Cap
- 10) Handle Grip Machine Screw
- 11) Designer Washer
- 12) Latch Face Plate
- 13) Latch Wood Screws
- 14) Deadbolt Cylinder

### Latches:

#### Passage:

- 28° retraction
- 7MM hub
- Split spindles
- $2\frac{3}{8}$ " backset standard
- $2\frac{3}{4}$ " backset available--please specify
- Stainless steel nosebolt

#### Deadbolt:

- Hardened Steel Bolt
- $2\frac{3}{8}$ " backset standard
- $2\frac{3}{4}$ " backset available--please specify

### Strike & Face Plates:

- Full Lip strike is standard (passage function)
- "T" strike optional--please specify (passage function)
- Strike & faceplates are square cornered
- Passage: Strike Plate-- $1\frac{1}{2}$ "W x  $2\frac{1}{4}$ "H, Deadbolt: $1\frac{1}{8}$ "W x  $2\frac{3}{4}$ "H (understrike supplied)
- Passage: Face Plate--1"W x  $2\frac{1}{4}$ "H, Deadbolt:1"W x  $2\frac{1}{4}$ "H (attached to latch)