

# Grade 1 Single Cylinder Deadbolt

## *FDP Series*



### FEATURES & OPTIONS

#### Door Preparation

Cross Bore: 2-1/8", Edge: 1-1/8"

#### Latch Backset

2-3/4" UL deadbolt latch  
(other options available)

#### Faceplate

1-1/8" x 2-1/4" square corner standard  
(other options available)

#### Bolt

1/2" throw

#### Door Thickness

Fit 1-3/8" to 1-13/16" standard  
(extension kit available for 1-3/4" to 2-1/4" door)

#### Cylinder

6-pin SC "C" keyway solid brass cylinder standard

Also available in:

5-pin KW keyway

6-pin small format interchangeable core

#### Strike Plate

2-3/4" x 1-1/8" square corner strike standard with reinforced plate and 3" wooden screws  
(other options available)

#### Handing

Non-Handed

### FINISHES

(other finishes available upon request with lead-time)

US10B – 613 – Oil Rubbed Bronze

US26D – 626 – Satin Chrome

### WARRANTY

- Lifetime mechanical warranty
- Five years finish warranty



### CODE COMPLIANCE

- Meets ANSI/BHMA A156.5, Series 4000, Grade 1
- Meets ADA Requirements
- UL 3-Hour Fire Rated

### SPECIFICATIONS

**Lockset:** Grade 1 tubular deadbolt lock shall be by PAMEX model # FDP Series.

Deadbolt shall be non-handed, reversible and made from solid brass. The bolt shall be made with hardened steel insert for saw resistant and have 1" projection.

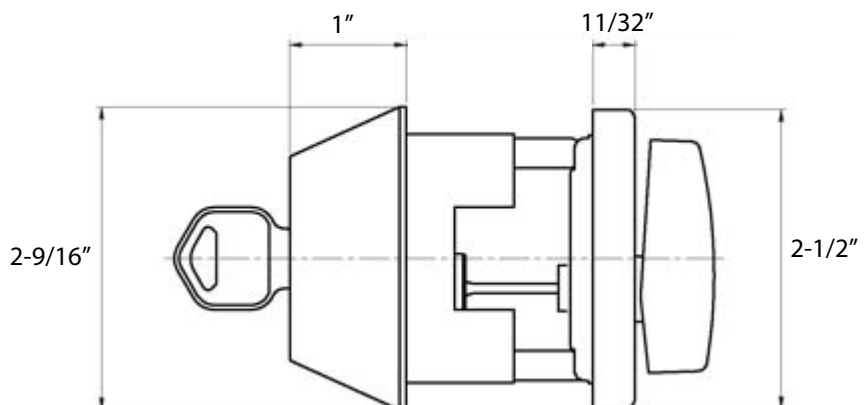
### FUNCTIONS

#### Single Cylinder – E2151 (FDP1)

Bolt is operated by key from outside and turn-piece inside.

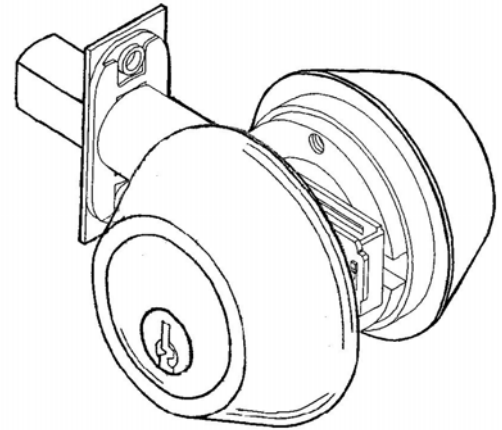
#### Double Cylinder – E2141 (FDP2)

Bolt is operated by key on both sides.



# Grade 1 Double Cylinder Deadbolt

## FDP Series



### FEATURES & OPTIONS

#### Door Preparation

Cross Bore: 2-1/8", Edge: 1"

#### Latch Backset

Adjustable UL deadbolt standard  
(other options available)

#### Faceplate

1-1/8" x 2-1/4" square corner standard  
(other options available)

#### Bolt

1/2" throw

#### Door Thickness

Fit 1-3/8" to 1-13/16" standard  
(extension kit available for 1-3/4" to 2-1/4" door)

#### Cylinder

6-pin SC "C" keyway solid brass cylinder  
standard

Also available in:

5-pin KW keyway

6-pin small format interchangeable core ⚙

#### Strike Plate

2-3/4" x 1-1/8" square corner strike standard with  
reinforced plate and 3" wooden screws  
(other options available)

#### Handing

Non-Handed

### FINISHES

(other finishes available upon request with lead-time)

- US10B – 613 – Oil Rubbed Bronze
- US26D – 626 – Satin Chrome ⚙

### WARRANTY

- Lifetime mechanical warranty
- Five years finish warranty



### CODE COMPLIANCE

- Meets ANSI/BHMA A156.5,  
Series 4000, Grade 1
- Meets ADA Requirements
- UL 3-Hour Fire Rated

### SPECIFICATIONS

**Lockset:** Grade 1 tubular deadbolt lock shall be by PAMEX model # FDP Series.

Deadbolt shall be non-handed, reversible and made from solid brass. The bolt shall be made with hardened steel insert for saw resistant and have 1" projection.

### FUNCTIONS

**Single Cylinder – E2151 (FDP1) ⚙**  
Bolt is operated by key from outside and turn-piece inside.

**Double Cylinder – E2141 (FDP2)**  
Bolt is operated by key on both sides.

