



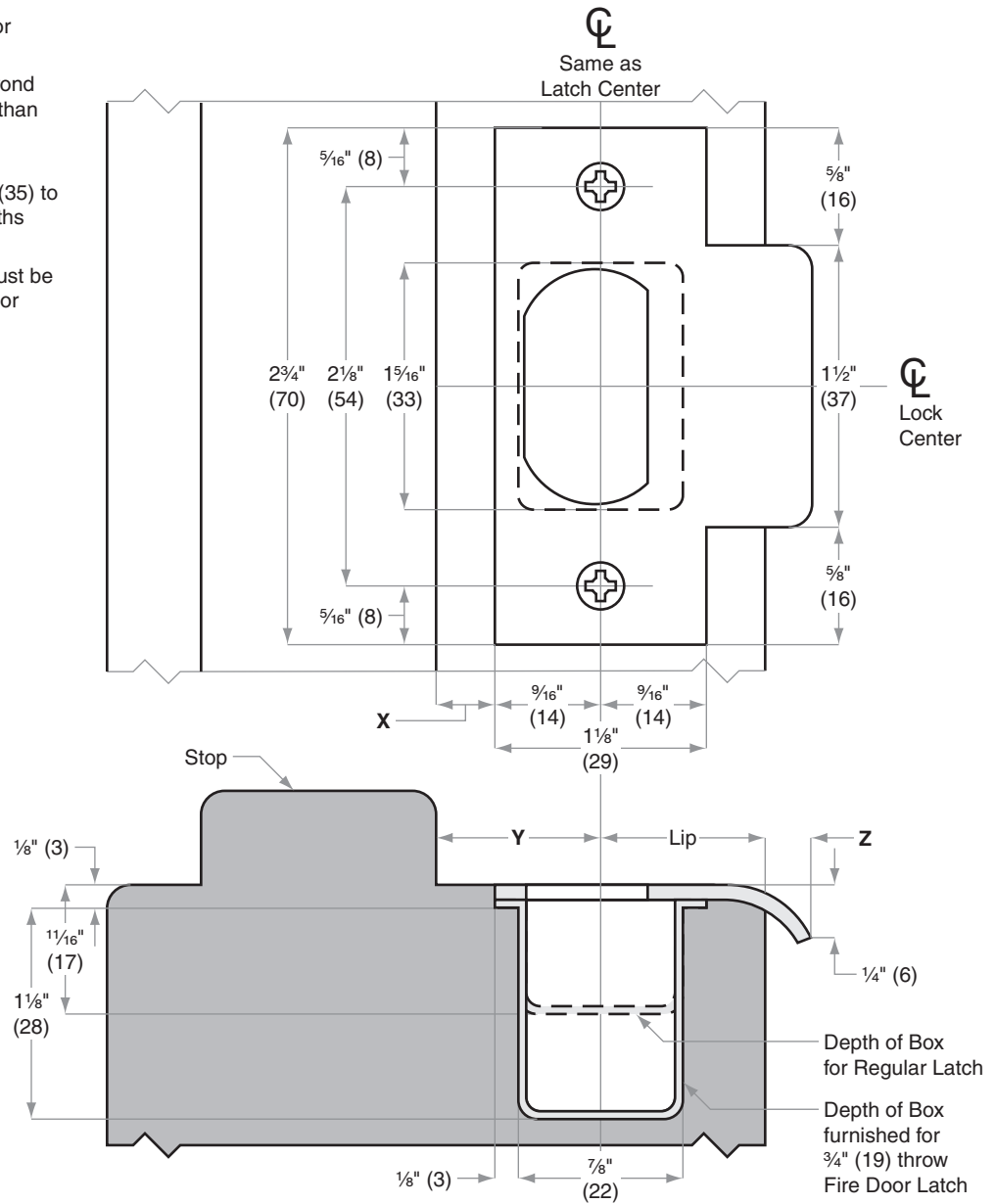
Strikes

Models 10-001, 10-013, 10-016, 10-019

- Jamb Type: Wood
- Style: T-Strike, Square Corner
- Standard for: A-Series | B250-Series | S-Series
- Optional for: AL-Series | F-Series | D-Series Knobs | ND-Series Levers

NOTE:

- Dimensions X, Y and Z are variables dependent on door thickness
- Curved strike extension beyond jamb at Z must not be less than $\frac{3}{16}$ " (5) to ensure proper functioning of latch bolt
- $1\frac{1}{8}$ " (29) Lip length for $1\frac{3}{8}$ " (35) to $1\frac{3}{4}$ " (44) doors. Other lengths available
- Strike location on frames must be adjusted for thickness of door silencers, when used



Dimensions shown in parentheses () are in millimeters.

Door preparation template