

Model:
TDD-1-S

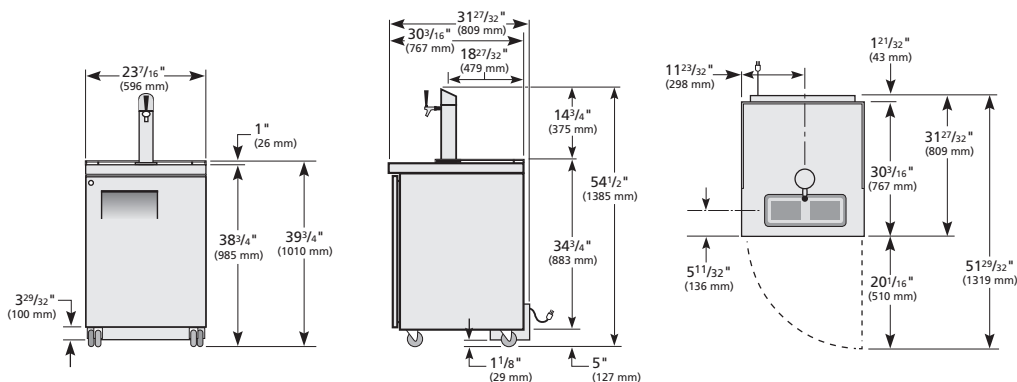
Underbar Refrigeration: Solid Swing Door Stainless Steel Direct Draw Beer Dispenser



TDD-1-S

- ▶ True's direct draw beer dispensers are designed with enduring quality and value. Our commitment to using the highest quality materials and oversized refrigeration assures colder product temperatures and years of trouble free service.
- ▶ Oversized, factory balanced, refrigeration system holds .5°C to 3.3°C.
- ▶ Exterior - stainless steel doors, front and sides. Matching aluminum back. All stainless steel counter top.
- ▶ Interior - Stainless steel floor with 13 mm reinforced lip and heavy gauge galvanized steel walls. NSF-7 approved for packaged and bottled product.
- ▶ One (1) 77 mm diameter stainless steel insulated beer column. Cold air is directed into beer column to reduce foaming and maximize draft beer profits
- ▶ Anodized aluminum glass rail provides convenient storage for glasses on top.
- ▶ Entire cabinet structure and solid door are foamed-in-place using Ecomate. A high density, polyurethane insulation that has zero ozone depletion potential (ODP) and zero global warming potential (GWP).
- ▶ Adjustable, heavy duty PVC coated wire shelf.

PLAN VIEW



ROUGH-IN DATA

Voltage: 220-240V/50Hz

Specifications subject to change without notice.
Chart dimensions rounded up to the next whole millimeter (inches rounded up to the next 1/8").

Model	Doors	Shelves	Cabinet Dimensions (mm)			AMP	Crated Weight (kg)	Capacity 50l Kegs	Refrigerant	Refrigeration System
			W	D†	H*					
TDD-1-S	1	-	597	809	1010	1,2	98	1	R134A	Forced Air

† Depth does not include 26mm for rear bumpers.

* Height does not include 388 mm for draft arm.