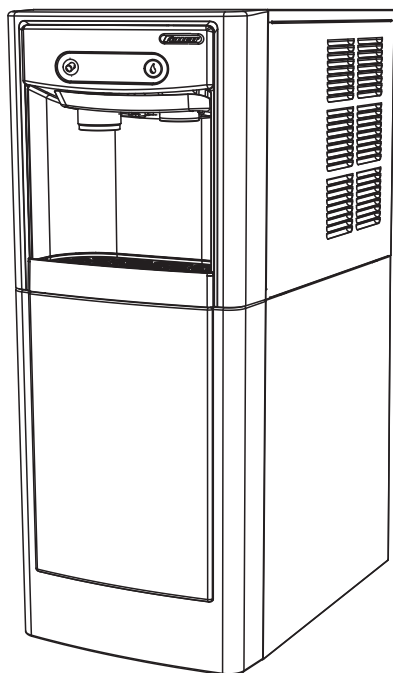
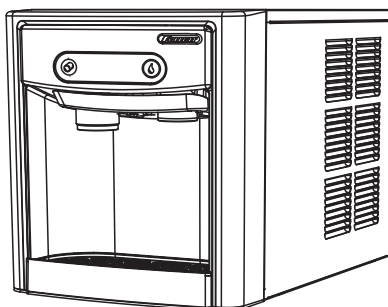


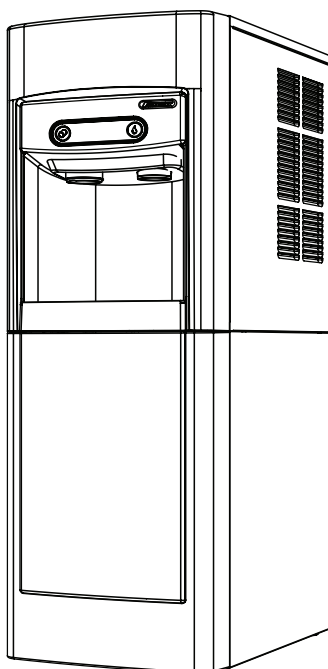
7FS100A



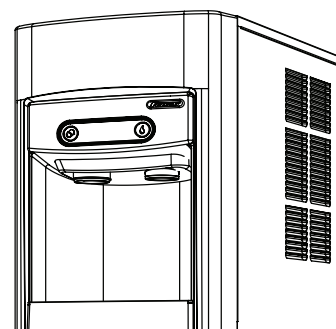
7CI100A



15FS100A



15CI100A



**Following installation, please forward this manual
to the appropriate operations person.**

Contents

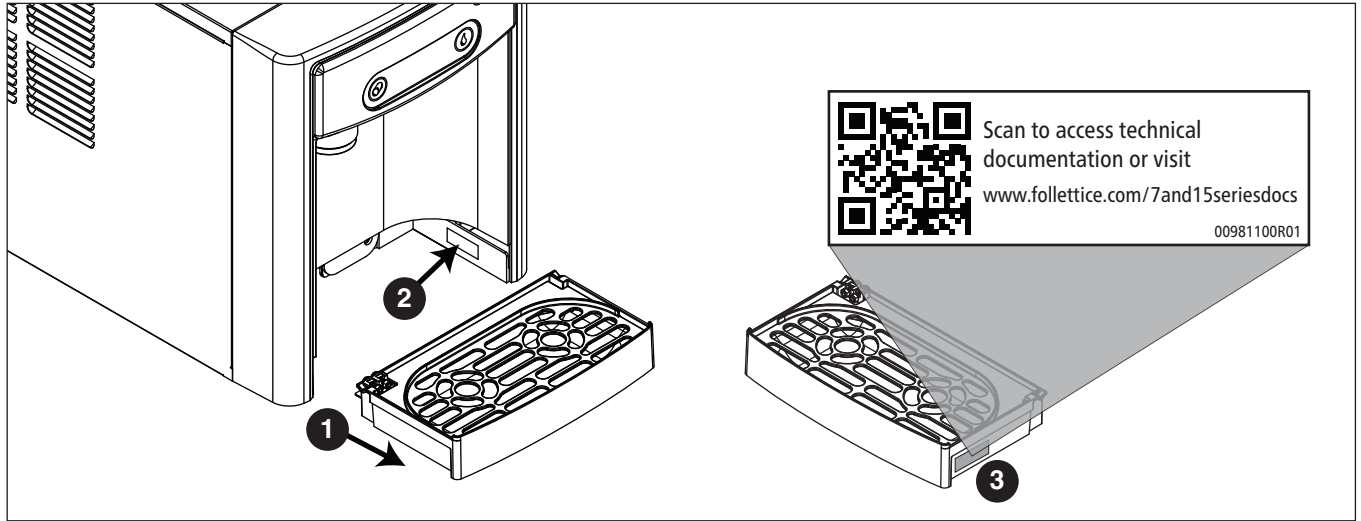
| | |
|--|-----------|
| Welcome | 3 |
| Before You Begin | 3 |
| Important Safety Information | 4 |
| Specifications | 4 |
| Dimensions..... | 4 |
| Ambient Information..... | 4 |
| Plumbing..... | 4 |
| Specifications | 5 |
| Water..... | 5 |
| Clearances..... | 5 |
| Electrical..... | 5 |
| Refrigeration..... | 5 |
| Heat Rejection..... | 5 |
| 7 Series Detailed Drawing..... | 6 |
| 15 Series Detailed Drawing..... | 7 |
| Installation | 8 |
| Countertop Installation..... | 8 |
| Freestanding Installation..... | 9 |
| Maintenance/Cleaning Mode | 12 |
| Accessing Internal Components | 12 |
| Filter Display Indicator Activation | 13 |
| NSF-approved Cleaning and Sanitizing Procedure | 14 |
| Service | 15 |
| LED Indicator Description..... | 15 |
| Evaporator Disassembly..... | 16 |
| Evaporator Assembly..... | 19 |
| Water Feed Schematic..... | 23 |
| Bin Melt Water/Evaporator Feed/Clean Out System Schematic..... | 24 |
| Vent System Schematic..... | 24 |
| Refrigeration Schematic..... | 25 |
| Condenser Fan Motor Removal (7 Series Shown)..... | 26 |
| User Interface Display Identification..... | 27 |
| Electrical Wiring Diagram..... | 29 |
| Parts | 30 |
| 7 Series Exterior..... | 30 |
| 7 Series Interior..... | 32 |
| Parts | 34 |
| 15 Series Exterior..... | 34 |
| 15 Series Interior..... | 36 |
| 7 Series Bin Assembly..... | 38 |
| 15 Series Bin Assembly..... | 40 |
| Evaporator Assembly..... | 42 |
| Base Stand..... | 44 |

Welcome

Follett equipment enjoys a well-deserved reputation for excellent performance, long-term reliability, and outstanding after-the-sale support. To ensure that this product delivers that same degree of service, we ask that you take a moment to review this manual before beginning the installation. Should you have any questions or require technical help at any point, please call our technical service group at (877) 612-5086 or +1 (610) 252-7301.

Before You Begin

After uncrating and removing all packing material, inspect the equipment for concealed shipping damage. If damage is found, immediately notify the shipper and contact Follett Corporation so that we can help in the filing of a claim, if necessary. If needed, the serial number of your dispenser can be found by removing the drip tray **1** and locating the serial number label **2**. A QR Code is located on the right hand side of the drip tray **3**. This code allows you to access manuals, technical bulletins, and on-line training related to the 7 Series and 15 Series dispensers.



Check your paperwork to verify that you received the correct dispenser. Follett configuration numbers are designed to provide information about the type of dispenser you are receiving. The following is an explanation of the different model numbers.

| Dispenser Storage Capacity | Configuration | Icemaker Capacity | Condenser |
|---------------------------------|----------------------------------|---------------------------|--------------|
| 7 lb (3.1 kg) 15 lb (6.8 kg) | CI Countertop FS Freestanding | 100 lbs (45.3 kg) per day | A Air-cooled |

Important Safety Information

Please read and adhere to the following safety information while installing, using, or servicing your Follett Ice Dispenser.

1. Always disconnect power before servicing the dispenser.
2. Ice is slippery. Maintain counters and floors around dispenser in a clean and ice-free condition.
3. Ice is food. Follow the recommended cleaning and sanitizing instructions to maintain cleanliness of delivered ice.

Specifications

Dimensions

| | 7CI100A | 7FS100A | 15CI100A | 15FS100A |
|----------------------|------------------|-------------------|------------------|-------------------|
| Width | 14.50" (40 cm) | 14.50" (36.8 cm) | 14.50" (40 cm) | 14.50" (40 cm) |
| Depth | 22.12" (56.2 cm) | 22.12" (56.2 cm) | 23.50" (59.7 cm) | 23.50" (59.7 cm) |
| Height | 17.50" (44.5 cm) | 41.88" (106.4 cm) | 22.50" (57.2 cm) | 46.75" (118.7 cm) |
| Unit Shipping Weight | 90 lb (41 kg) | 120 lb (54.4 kg) | 100 lb (45.4 kg) | 130 lb (60 kg) |

Ambient Information



CAUTION!

The 7CI100A/7FS100A and 15CI100A/15FS100A are for indoor use only. Designed for commercial use. Follett is not able to provide in-house services for residential installations.

| | Maximum* | Minimum* |
|-------------------|----------------------|-----------------|
| Air Temperature† | 100 F (38 C) | 50 F (10 C) |
| Water Temperature | 90 F (32.2 C) | 40 F (4.5 C) |
| Water Pressure | 70 psi (483 kpa) | 10 psi (69 kpa) |
| Relative Humidity | 55% at 78 F (25.5 C) | |

* Use outside of these limitations is misuse and will void warranty.
† Best performance is achieved between 80 F (27 C) and 50 F (10 C).

Plumbing

- Water Inlet: 1/4" MPT
- Optional Drain Accessory Kit (item# 00956375 or 00981977): 1/2" ID tubing
- Water shut-off recommended within 5 ft. (1.5 m) of dispenser

Specifications

Water



WARNING!

Connect to potable water supply only.

- Water Mineral Content:
 - TDS: greater than 5 ppm (mg/l) but less than 400 ppm (mg/l)
 - Hardness: Less than 200 mg/l (12 gpg)
- Not recommended for use with softened water

Clearances

- 3" (77 mm) behind and on each side of dispenser for electrical and connection and ventilation

Electrical

- 115V, 60 Hz, 1 phase, 5A, maximum fuse 15A
- Connect to dedicated 15A circuit, fuse or breaker
- Must be grounded - requires 3-prong outlet. Do not remove ground.

Refrigeration



WARNING!

Do not damage the refrigerant circuit. Refrigerant can cause personal injury and/or damage dispenser.

- Refrigerant R134a – 7.2 ounces (204 grams)

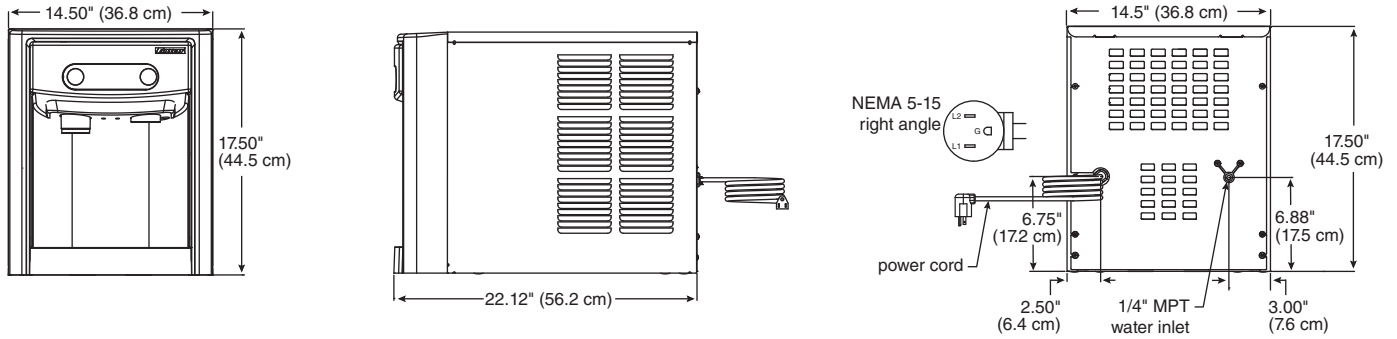
Heat Rejection

- 1700 BTU/hr (498 W)

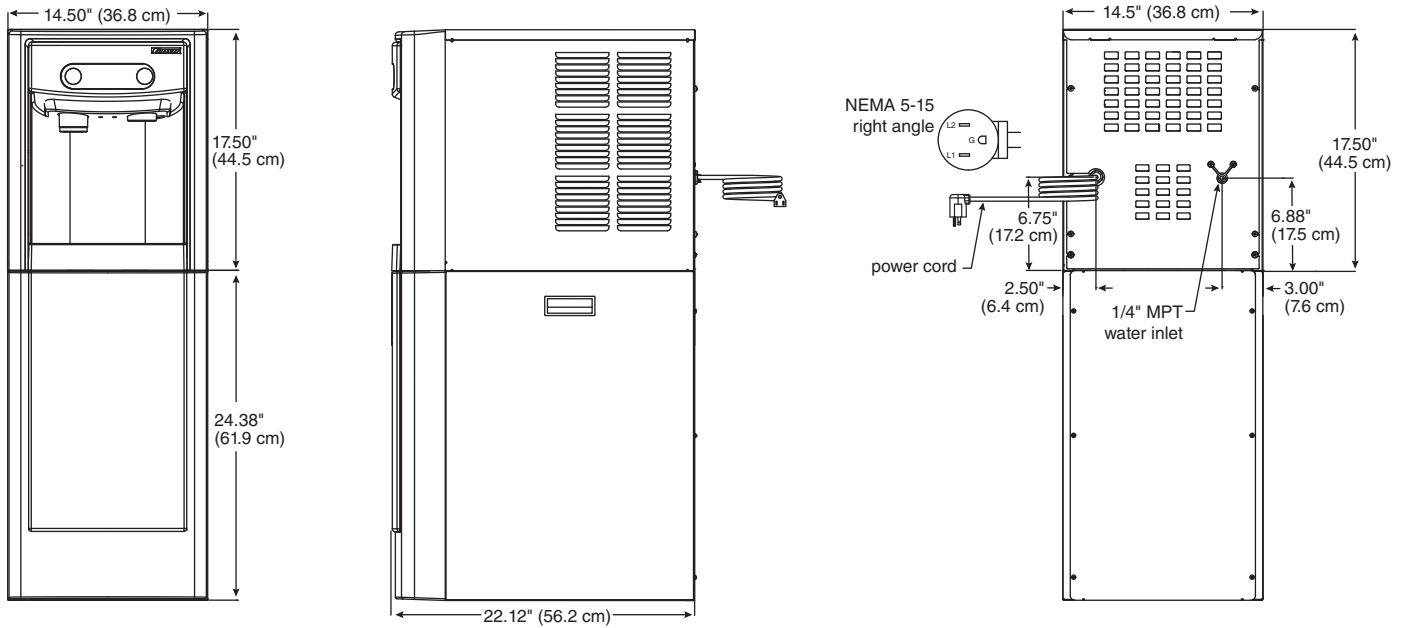
Specifications (continued)

7 Series Detailed Drawing

Countertop models



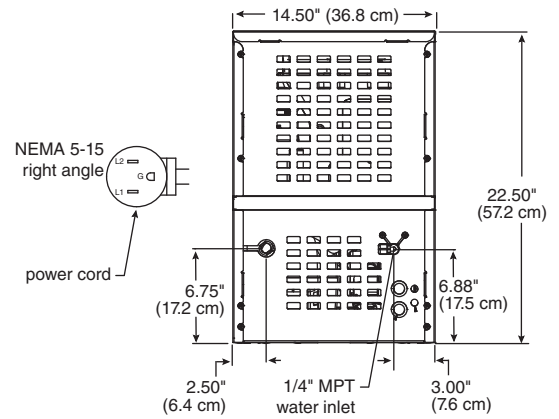
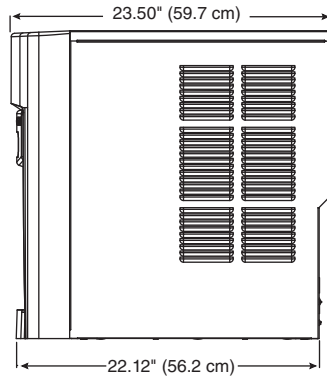
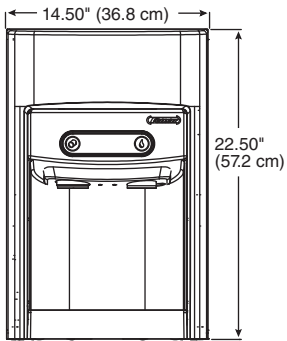
Freestanding models



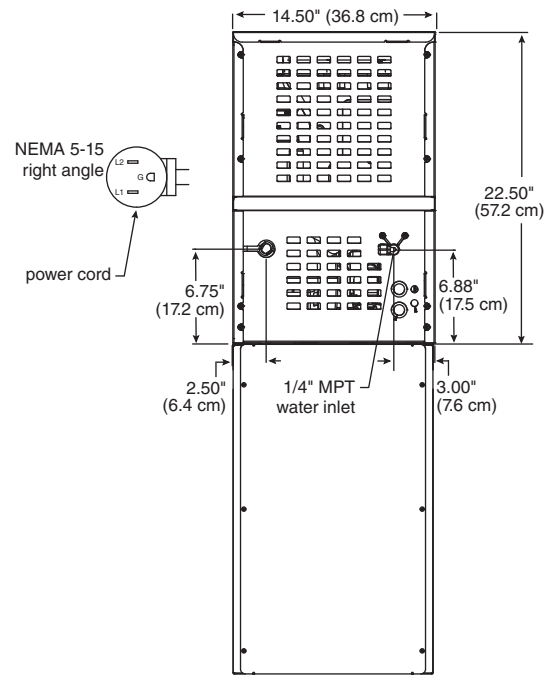
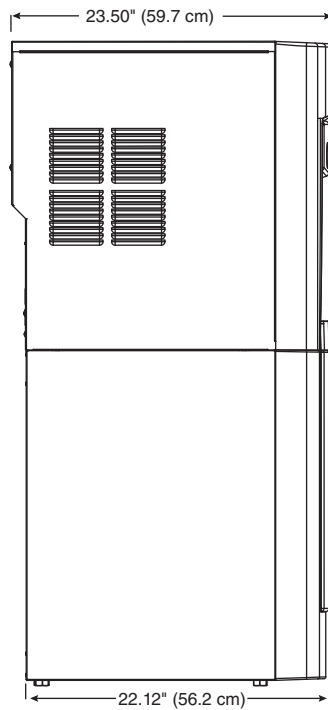
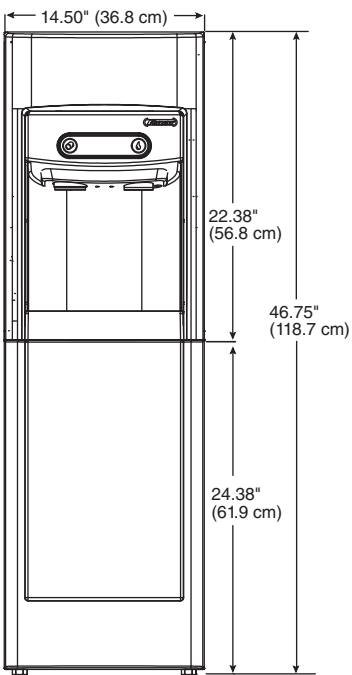
Specifications (continued)

15 Series Detailed Drawing

Countertop models



Freestanding models



Installation



CAUTION!

No service or maintenance should be performed until the technician has thoroughly read this service manual. Except for routine cleaning and sanitizing, only qualified technicians should attempt to service or maintain this equipment.

Countertop Installation

The 7 Series countertop model is designed to fit on counters underneath standard mounted cabinets, this does not apply to 15 Series models. See [page 4](#) for dimensions. Installation instructions for freestanding model may be found on [page 9](#).

1. A clearance of at least 3" (77 mm) is required behind and on each side of the dispenser for electrical connection and ventilation (**Fig. 1**).
2. Rough-in the electrical service and water line.
 - Electrical: 115V, single phase, 15A receptacle required. The dispenser has an integral 8 ft. (2.4 m) cord and plug.
 - Water: supply line (with shut-off valve) connects to the dispenser's 1/4" MPT inlet.

NOTICE!

If installing optional Drip Tray Drain Kit or Leg Accessory, complete those steps before proceeding. Refer to instructions included with the Drip Tray Drain Kit, or see [page 9](#) for Leg Accessory instructions.

3. Connect water line. Recommended routing (**Fig. 2**) allows easy access to water for cleaning and sanitizing procedure.
4. If installing the optional internal water filter*, please see [Maintenance/Cleaning Mode on page 12](#) before proceeding. If not, proceed to step 5.
 - * If your dispenser has the internal water filter option, the water filter *must* be installed for the dispenser to operate. Because internal components will need to be accessed for both procedures, Follett recommends installing the water filter just prior to initial sanitizing.
5. Connect power supply.
6. Sanitize the dispenser prior to use (see the Initial Sanitizing Kit instructions shipped with this unit).

Fig. 1

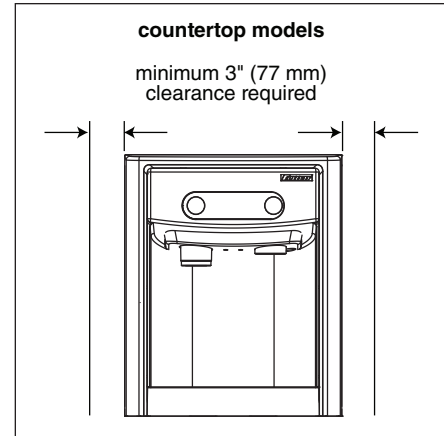
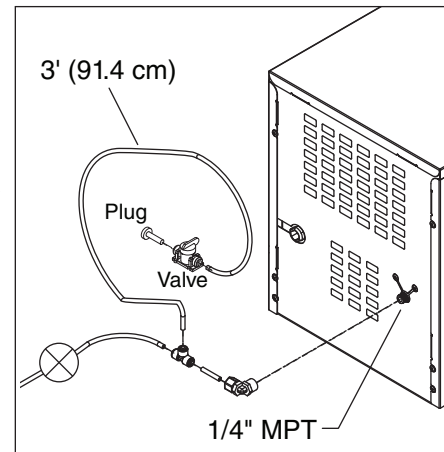


Fig. 2



Installation (continued)

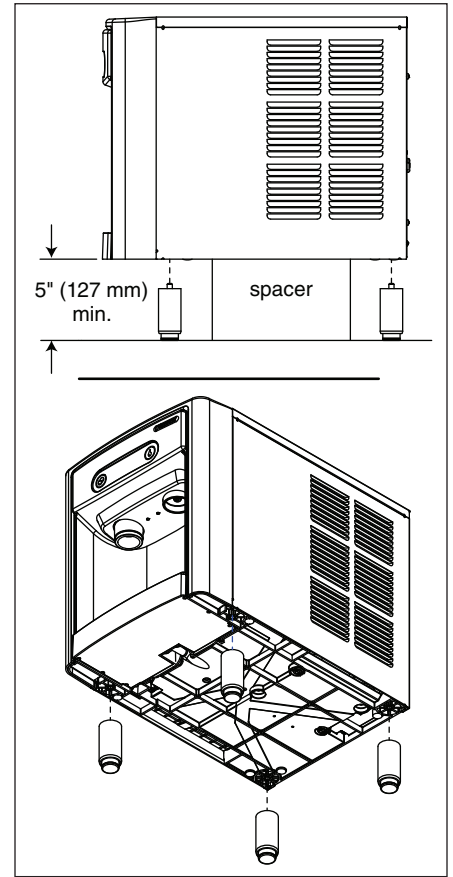
Optional Leg Accessory Installation

CAUTION!

Use caution when tipping the dispenser during leg installation. Do not lay unit on back or side. DO NOT EXCEED 30° angle. Tipping more than 30° can result in compressor malfunction.

1. If installing optional 4" Leg Accessory (item# 00956300), place a 5" (127 mm) spacer underneath the dispenser to ease installation.
2. Remove four plastic, thread-protecting plugs from bottom of dispenser.
3. Screw each leg into chassis (**Fig. 3**).

Fig. 3



Freestanding Installation

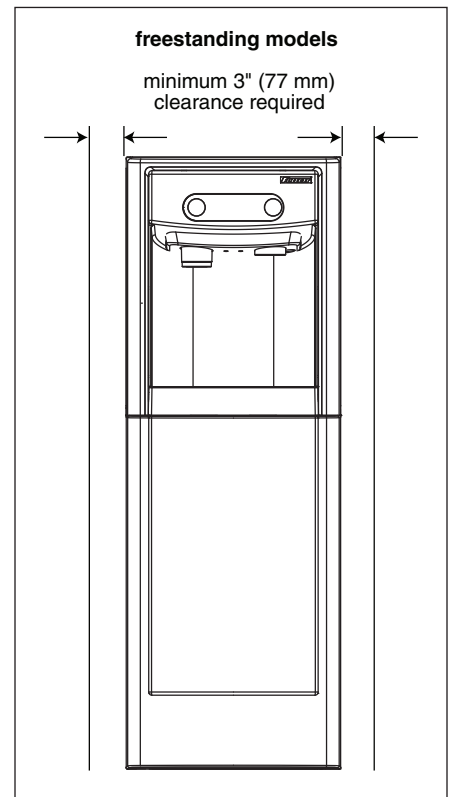
Installation instructions for countertop model may be found on [Countertop Installation on page 8](#).

1. A clearance of at least 3" (77 mm) is required behind and on each side of the dispenser for electrical connection and ventilation (**Fig. 4**).
2. Rough-in the electrical service and water line.
 - Electrical: 115V, single phase, 15A receptacle required. The dispenser has an integral 8 ft. (2.4 m) cord and plug.
 - Water: supply line (with shut-off valve) connects to the dispenser's 1/4" MPT inlet.

NOTICE!

If installing optional Leg Accessory, complete those steps before proceeding. See [page 11](#) for Leg Accessory instructions.

Fig. 4



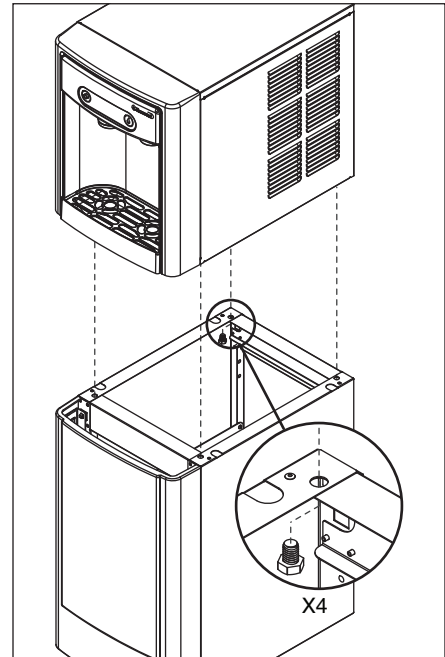
Installation (continued)

3. Remove four plastic, thread-protecting plugs from bottom of dispenser.
4. Attach dispenser to base stand with supplied hardware (**Fig. 5**).

NOTICE!

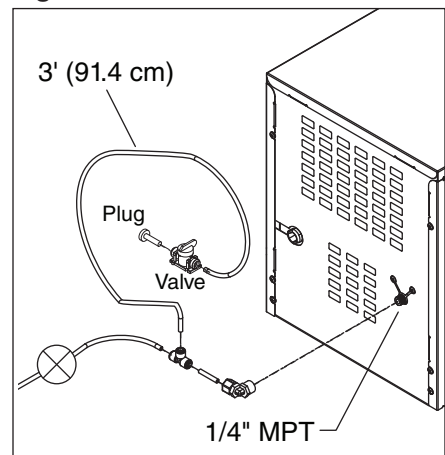
If installing optional Drip Tray Drain Kit, refer to instructions included with the Drip Tray Drain Kit.

Fig. 5



5. Connect water line. Recommended routing (**Fig. 6**) allows easy access to water for cleaning and sanitizing procedure.
6. If installing the optional internal water filter*, please see **Optional Internal Water Filter Installation on page 11** before proceeding. If not, proceed to step 7.
 - * If your dispenser has the internal water filter option, the water filter *must* be installed for the dispenser to operate. Because internal components will need to be accessed for both procedures, Follett recommends installing the water filter just prior to initial sanitizing.
7. Connect power supply.
8. Sanitize the dispenser prior to use (see the Initial Sanitizing Kit instructions shipped with this unit).

Fig. 6



Installation (continued)

- Secure unit to wall or cove molding with supplied bracket (**Fig. 7**) to prevent tipping.

Note: Fasteners must be supplied by installer.



WARNING!

Freestanding unit must be secured to wall to prevent tipping. Failure to do could result in personal injury or damage to the unit.

Optional Leg Accessory Installation

- If installing optional 6" Leg Accessory (item# 00956318), tilt or lay base stand on side and screw each leg into stand (**Fig. 8**).

Optional Internal Water Filter Installation

If your dispenser has the internal water filter option, the water filter *must* be installed for the dispenser to operate. Because internal components will need to be accessed for both procedures, Follett recommends installing the water filter just prior to initial sanitizing.

- If installing the optional internal water filter, please complete the steps shown in [Accessing Internal Components on page 12](#) before proceeding.
- Lift and remove the top panel, set aside (**Fig. 9.1**).
- Remove two screws (**Fig. 9.2**) and remove left side panel.
- Install filter as shown. Turn filter clockwise until it is fully seated (**Fig. 9.3**).

Fig. 7

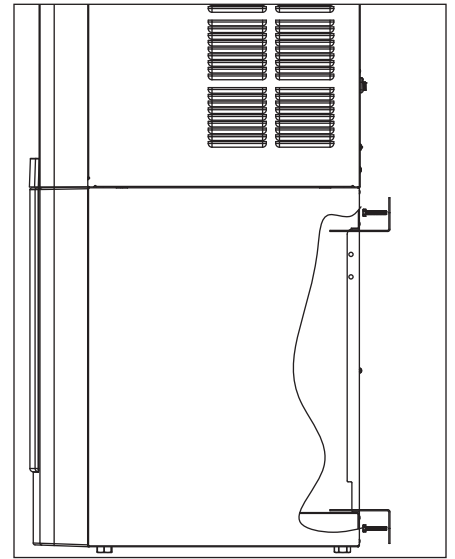


Fig. 8

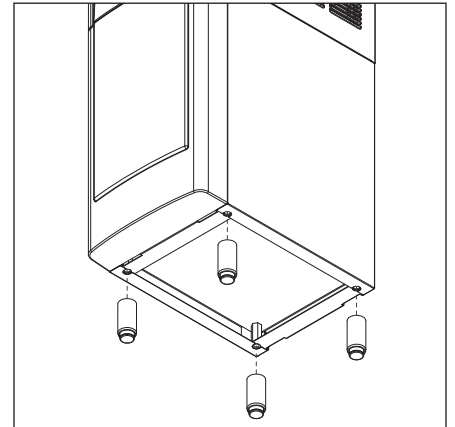
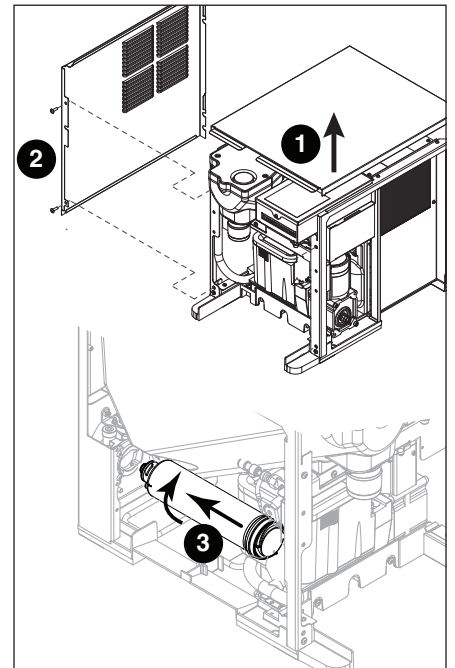


Fig. 9



Maintenance/Cleaning Mode



Cleaning Mode (Dispensing Disabled) - Use when cleaning surface

Entering Cleaning Mode disables the User Interface and allows you to clean the outside of the dispenser without accidentally dispensing water or ice.

1. To enter Cleaning Mode, press and immediately release the maintenance/clean switch (**Fig. 10.1**) so that only "FRESH FILTERED ICE AND WATER" displays in the user interface (**Fig. 10.2**).
2. To exit Cleaning Mode, press and immediately release the maintenance/clean switch so that the ice and water icons also display in the user interface.

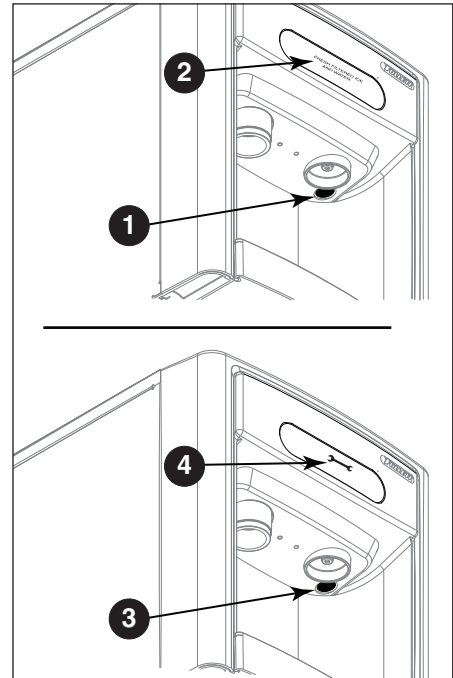
Maintenance Mode (All Operations Disabled) - Use when cleaning ice machine

Entering Maintenance Mode disables all operations and allows you to safely clean and/or sanitize the icemaker and dispenser.

1. To enter Maintenance Mode, press and hold the maintenance/clean switch (**Fig. 10.3**) until  displays in the user interface (**Fig. 10.4**).
2. To exit Maintenance Mode, press and hold the maintenance/clean switch until  no longer displays in the user interface.

Note: Entering and exiting Maintenance Mode will reset the six-month periodic maintenance reminder.

Fig. 10



Accessing Internal Components



CAUTION!

Except for routine cleaning and sanitizing, only qualified technicians should attempt to service or maintain this equipment.


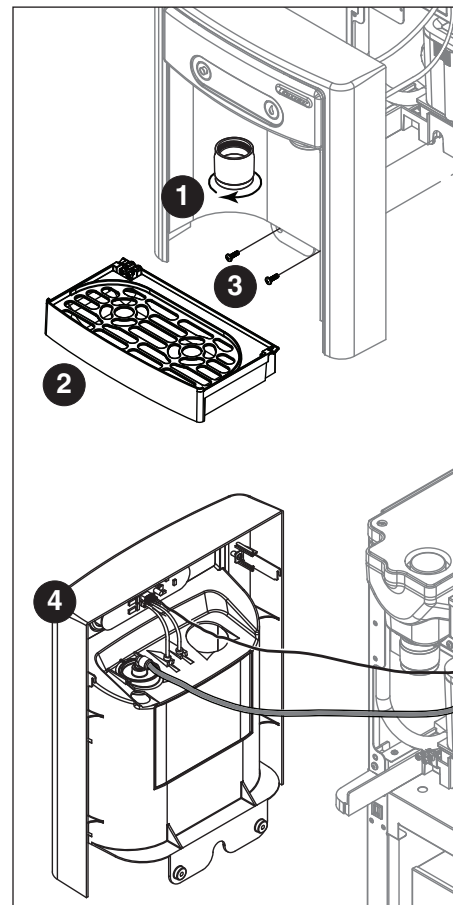
1. Press and hold the maintenance/clean switch (**Fig. 10.1**) until  displays in the user interface (**Fig. 10.2**).
2. Remove (unscrew) chrome ice dispenser chute (**Fig. 11.1**).
3. Remove the drip tray (**Fig. 11.2**).
4. Remove the two screws (**Fig. 11.3**) on the front panel (behind the drip tray).
5. Remove and set aside the front panel (**Fig. 11.4**) - **do not disengage the plug on the back of the User Interface or the tubing at the water dispenser chute (if so equipped).**

Fig. 11



Filter Display Indicator Activation

If you purchased your dispenser with a Follett filter, the filter display indicator activation has been preset at the factory.

If you are using an “after market filter,” an adjustment may be made to activate the “Fresh Filtered Ice & Water” display.

Activating “Fresh Filtered Ice & Water”

1. Remove the front panel as explained in [Accessing Internal Components on page 12](#) then refer to **Fig. 12**.
2. Remove top panel (**Fig. 12.1**).
Note: For 15 Series dispensers, the right side panel must also be removed.
3. Remove (1) screw and top of control board enclosure (**Fig. 12.2**).
4. Locate the DIP switches on the dispenser's control board (**Fig. 13**). Use a fine-pointed object to move the “Filter” DIP switch (DIP switch #3) to the ON position.

Deactivating the Six-Month Maintenance/Filter Change Reminder

1. Use a fine-pointed object to move the “PM” DIP switch (DIP switch #8) to the ON position.

Fig. 12

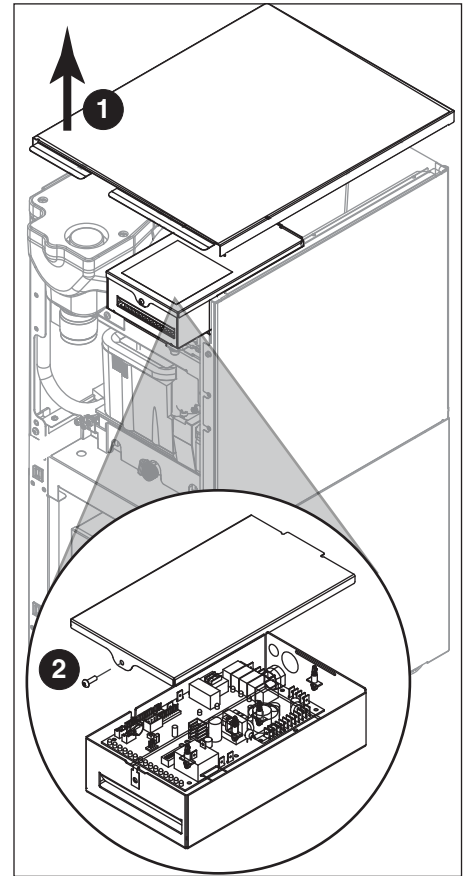
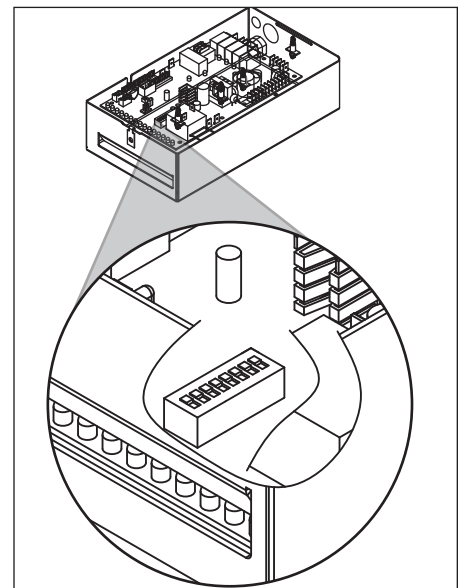


Fig. 13



| | OFF | ON | |
|-------------------------|--------------------------|-------------------------------------|---|
| Not used (OFF position) | <input type="checkbox"/> | <input checked="" type="checkbox"/> | 1 |
| Ice only | <input type="checkbox"/> | <input checked="" type="checkbox"/> | 2 |
| No internal filter | <input type="checkbox"/> | <input checked="" type="checkbox"/> | 3 |
| Not used (OFF position) | <input type="checkbox"/> | <input checked="" type="checkbox"/> | 4 |
| Not used (OFF position) | <input type="checkbox"/> | <input checked="" type="checkbox"/> | 5 |
| 15 minute delay | <input type="checkbox"/> | <input checked="" type="checkbox"/> | 6 |
| Not used (OFF position) | <input type="checkbox"/> | <input checked="" type="checkbox"/> | 7 |
| Six-month PM enabled | <input type="checkbox"/> | <input checked="" type="checkbox"/> | 8 |

Ice & water
Internal filter supplied or to display "Fresh Filtered"
30 minute delay
Six-month PM disabled

NSF-approved Cleaning and Sanitizing Procedure

Cleaning and sanitizing should be performed at least every 6 months (more often if local water conditions dictate).



WARNING!

- Place the dispenser in Maintenance Mode prior to servicing or cleaning the ice machine. See [Maintenance/Cleaning Mode on page 12](#).
- For protection, rubber gloves and safety goggles (and/or face shield) should be worn when handling SafeCLEAN Plus™.
- Do not use bleach, it will damage the dispenser.

Required Supplies

- 7 Series:** 21 oz. (0.621 L) or 3 packets SafeCLEAN Plus
- 15 Series:** 42 oz. (1.24 L) or 6 packets SafeCLEAN Plus
- Funnel and Bucket

Ice machine and Dispenser


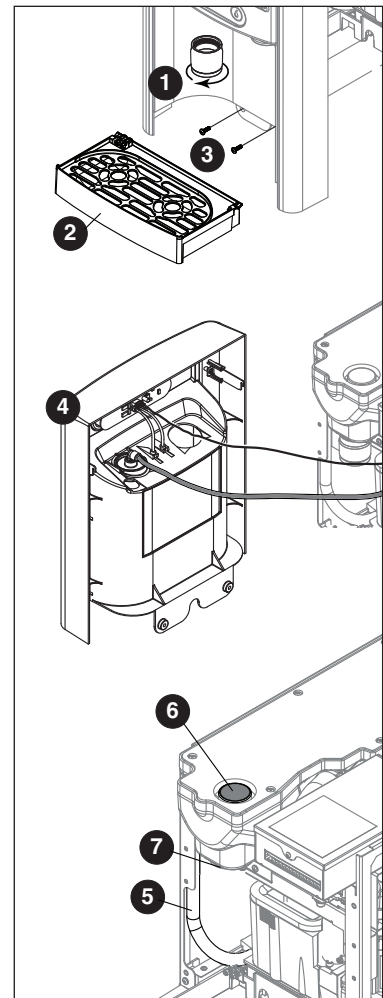
- Dispense all the ice out of the unit.
- Press and hold maintenance/clean switch until  displays in the user interface to enter Maintenance Mode.
- Remove (unscrew) chrome ice dispense chute (**Fig. 14.1**).
- Remove drip tray (**Fig. 14.2**).
- Remove (2) screws located behind the drip tray (**Fig. 14.3**).
- Move front panel and place on top or beside unit (**Fig. 14.4**).
- Remove plug cap from the end of drain tube (**Fig. 14.5**) and lower tube to drain water into bucket. After the system has been drained of water replace plug cap in drain tube.
- Secure tube in holder.
- Remove cap from bin lid cover (**Fig. 14.6**).
- Screw bin lid cover cap onto ice discharge chute (**Fig. 14.7**).
- 7 Series:** Mix 21 oz. (0.621 L) or 3 packets SafeCLEAN Plus with three gallons (11.4 L) of water.
15 Series: Mix 42 oz. (1.24 L) or 6 packets SafeCLEAN Plus with six gallons (22.7 L) of water
- Pour cleaning solution into bin lid access spout until solution reaches the spout neck.
- Allow the solution to remain in unit for 15 minutes.
- While machine is cleaning, remove top and right side panel to access and clean air-cooled condenser.
- Submerge ice dispense chute in the remainder of solution for 2 minutes. Rinse with clean, potable water.
- Drain system by lowering drain tube into bucket.
- Secure drain tube into holder.
- Fill and drain three times with potable water. Secure drain tube.
- Place a bucket under the dispense chute and remove cap. **Note:** Some solution will remain and drain out when cap is removed. Reposition cap on bin lid spout.
- Reinstall front panel, ice dispense chute, and drip tray.
- Press and hold maintenance/clean switch to exit Maintenance Mode.

Fig. 14



NSF-approved Cleaning and Sanitizing Procedure (continued)

User Interface and Exterior Cabinet

1. Press and release maintenance/clean switch so that only "FRESH FILTERED ICE AND WATER" displays in the user interface to enter Cleaning Mode (and disable dispensing).
2. Plastic parts, including the user interface, can be cleaned with a non-abrasive glass cleaner. Clean stainless steel panels with stainless steel cleaner.
3. Press and release maintenance/clean switch to put unit back into service.

Service

LED Indicator Description

The LED Indicator is located behind the front panel.

Fig. 15

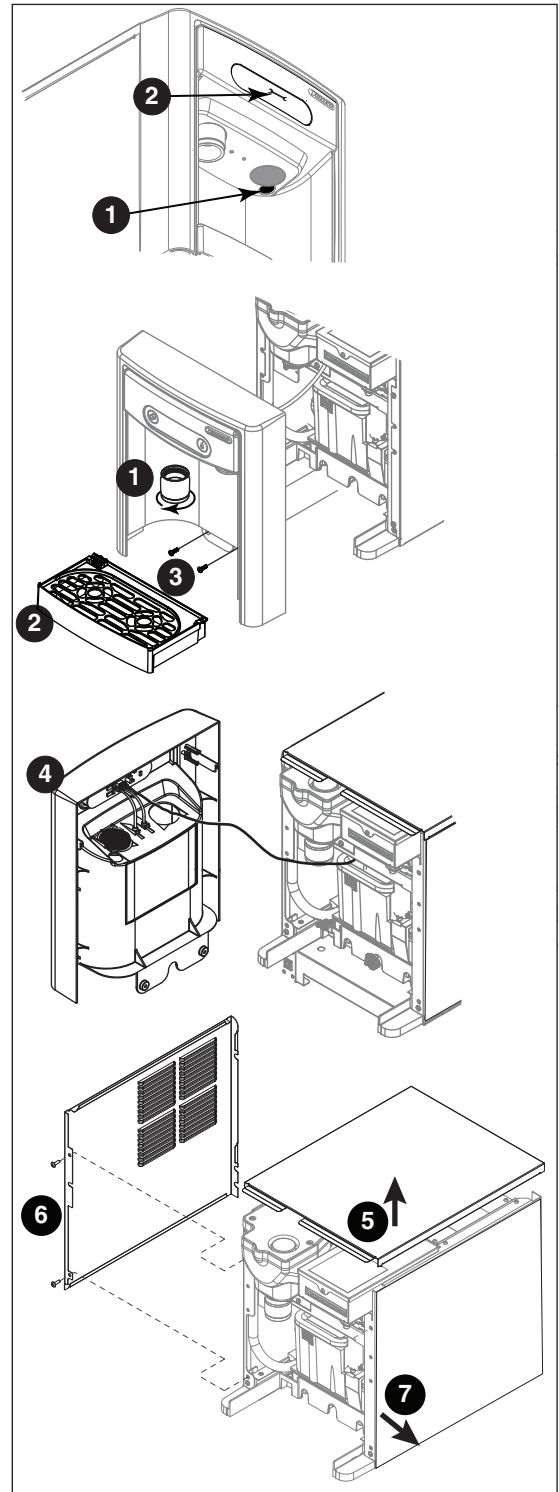


| LED Name | LED Color | Description |
|-------------|-----------|---|
| Clean | Green | The dispenser is in Cleaning Mode. Dispenser is disabled to allow for cleaning of front panel. See Maintenance/Cleaning Mode on page 12 . |
| — | N/A | Not used. |
| PM | Red | Six-month periodic maintenance required. |
| Drip tray | Red | Drip tray full. |
| Water leak | Red | Internal leak in dispenser. |
| High amps | Red | Auger gearmotor has exceeded 0.55A. The HI amps and Time delay LEDs will illuminate, the machine will shut down for one hour, the LEDs will turn off, and the machine will resume normal operation. |
| Service | Red | 8000 hour bushing check (call Follett technical service group at (877) 612-5086 or +1 (610) 252-7301). |
| Maintenance | Yellow | Enter Maintenance Mode by pressing and holding maintenance/clean switch for 5 seconds. Unit will not make or dispense ice. |
| Low water | Yellow | Insufficient water supply to machine or no low bin LED upon startup. |
| Time delay | Yellow | Ice production will not resume for at least 15 minutes after a full bin is achieved and a minimum amount of dispense activity has elapsed. |
| Sleep cycle | Green | After a full bin and 10 minutes of non-use, the unit goes into standby and will not produce ice until either: 7 Series: 12 hours has elapsed, 15 Series: 4 hours has elapsed or ice or water has dispensed. |
| Making ice | Green | Gearmotor, compressor, and fan motor energized. |
| Low bin | Green | Bin switch closed calling for ice. |
| Power on | Green | Power supplied to unit. |

Evaporator Disassembly

1. Disconnect power from the dispenser.
2. Turn off water supply to dispenser.
3. Remove (unscrew) chrome ice dispenser chute (Fig. 16.1).
4. Remove the drip tray (Fig. 16.2).
5. Remove the two screws (Fig. 16.3) on the front panel (behind the drip tray).
6. Remove and set aside the front panel (Fig. 16.4) - **do not disengage the plug on the back of the User Interface.**
7. Lift and remove the top panel, set aside (Fig. 16.5).
8. Remove two screws (Fig. 16.6) and remove left side panel.
9. Remove two screws (Fig. 16.7) and remove right side panel.

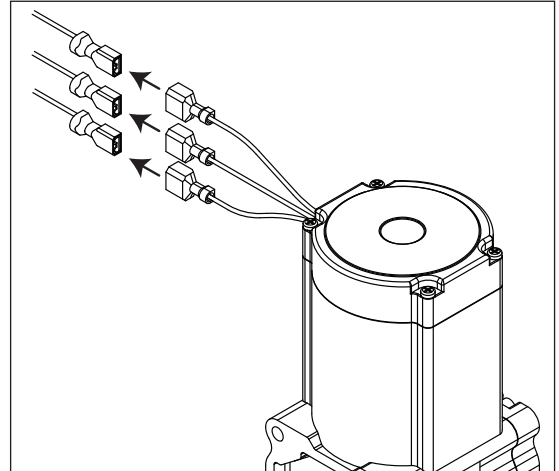
Fig. 16



Service (continued)

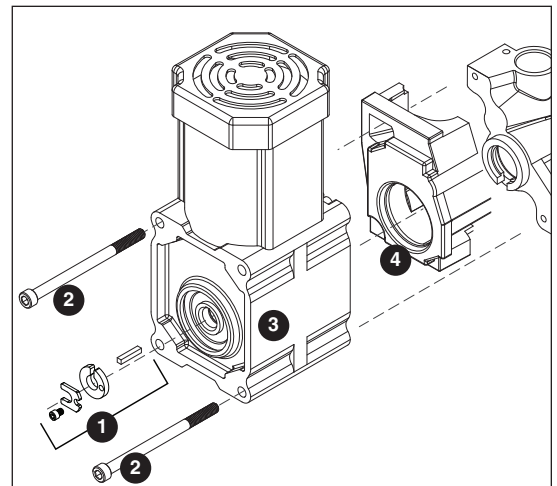
10. Unplug the gear motor (three connectors) (**Fig. 16**).
11. Remove ground screw connection.

Fig. 17



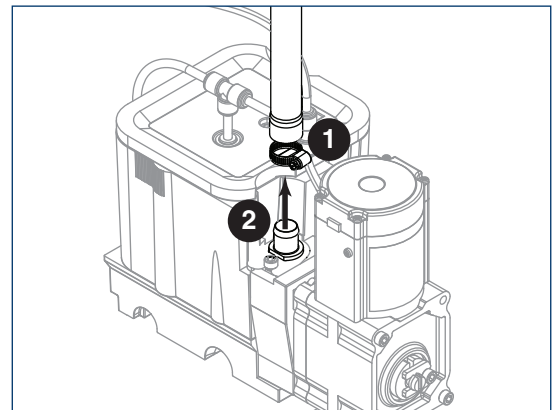
12. Remove gear motor:
 - Remove M6 allen screw, retainer, spacer and key (**Fig. 18.1**).
 - Remove two M6x90 allen screws (**Fig. 18.2**).
 - Pull gear motor from auger (**Fig. 18.3**).
 - Remove main housing insulation (**Fig. 18.4**).
13. Remove all traces of petro-gel from auger shaft.

Fig. 18



14. Remove compression nozzle:
 - Loosen hose clamp (**Fig. 19.1**).
 - Remove transport tube (**Fig. 19.2**).

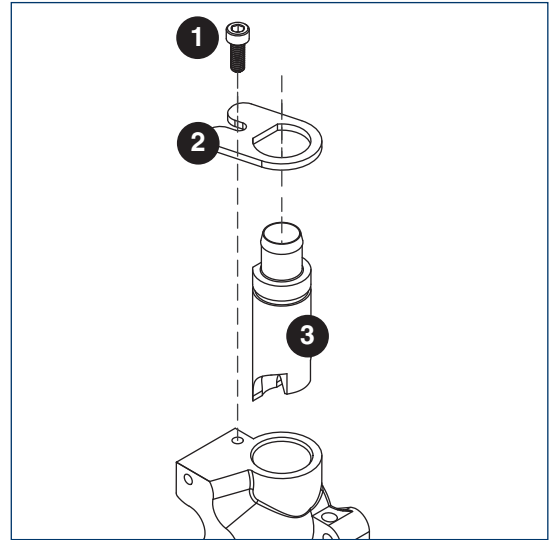
Fig. 19



Service (continued)

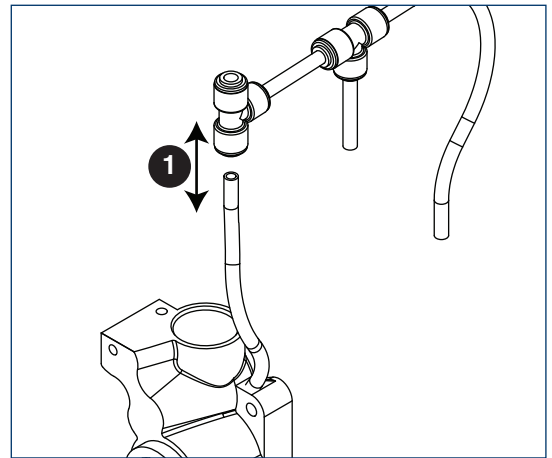
15. Remove M6 socket head allen screw (Fig. 20.1).
16. Remove compression nozzle retainer (Fig. 20.2).
17. Remove compression nozzle (Fig. 20.3).

Fig. 20



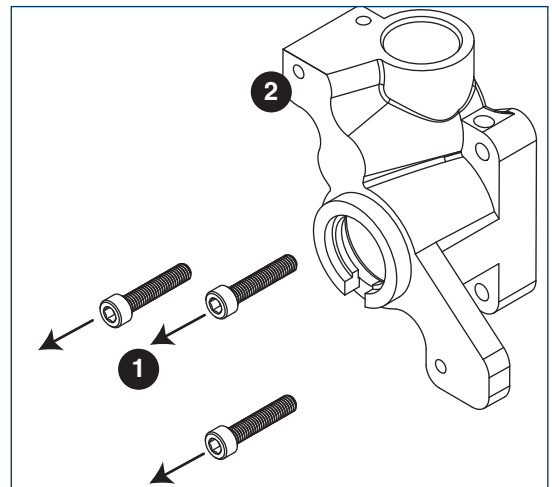
18. Remove main housing:
 - Disconnect vent line from T fitting (Fig. 21.1).

Fig. 21



19. Remove three M6x25 socket head allen screws (Fig. 22.1).
20. Remove main housing (Fig. 22.2).

Fig. 22



21. Remove and discard mating ring and seal (**Fig. 23.1**).
22. Carefully remove auger (**Fig. 23.2**).



WARNING!

Use caution when removing auger. The auger is very sharp - handle with care to avoid personal injury.

Evaporator Assembly

1. Remove and inspect main housing O-ring seal. Replace if damaged in any way.
2. Clean O-ring groove. Lubricate O-ring with Petro-gel and reinstall.
3. Use cardboard disc to press new mating ring into main housing (**Fig. 24.1**).
4. Lube the shaft with liquid soap in the area shown (**Fig. 24.2**) and slip on seal and spring (**Fig. 24.3**).

Note: Do not touch the sealing surfaces with bare hands. Contact with bare skin will cause premature seal failure.

5. Install auger (**Fig. 24.4**).

6. Install main housing:

- Slide main housing onto auger shaft (**Fig. 25.1**).
- Install three M6x25 allen screws (**Fig. 25.2**).
- Connect vent line to T fitting (**Fig. 25.3**).

Fig. 23

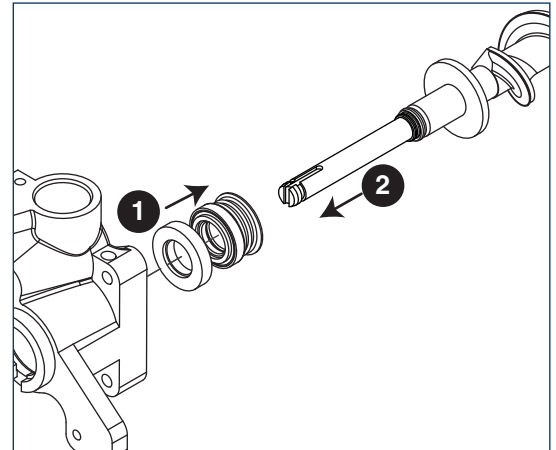


Fig. 24

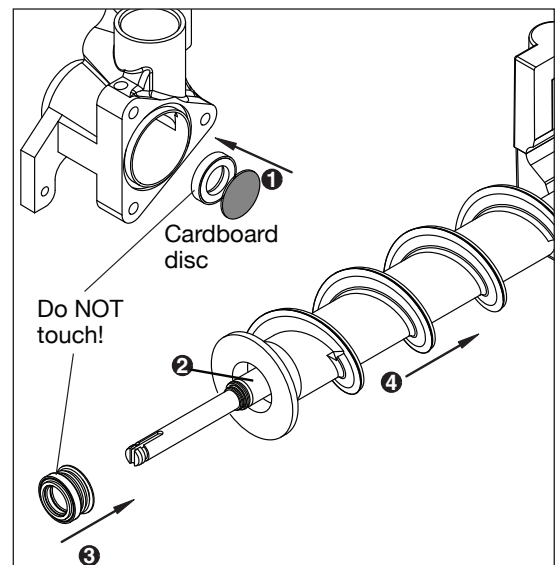
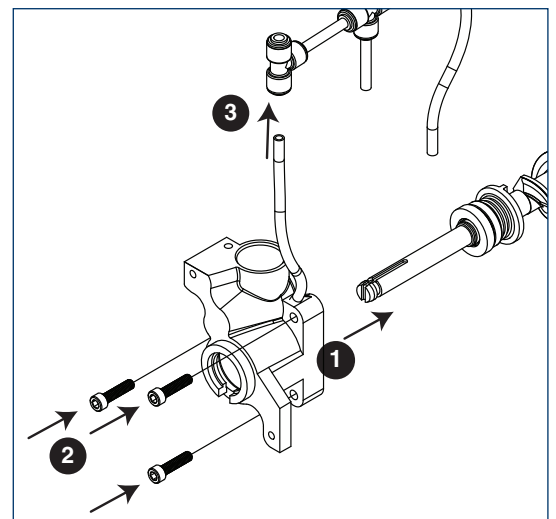


Fig. 25

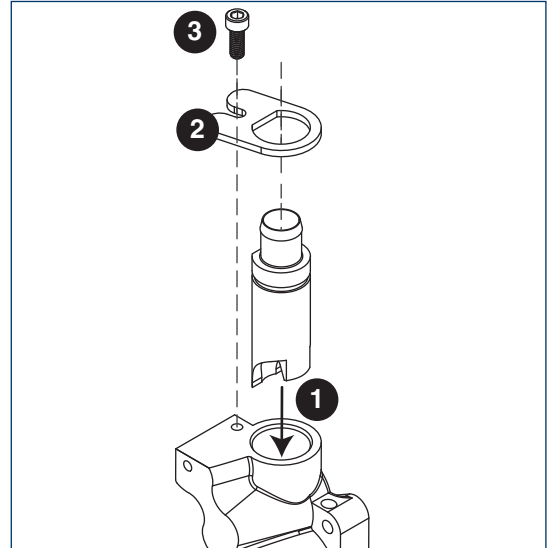


Service (continued)

7. Install compression nozzle:

- Remove and inspect compression nozzle O-ring seal. Replace if damaged in any way.
- Clean O-ring groove. Lubricate O-ring with Petro-gel and reinstall.
- Install compression nozzle (**Fig. 26.1**).
- Install compression nozzle retainer (**Fig. 26.2**).
- Install M6 socket head allen screw (**Fig. 26.3**).

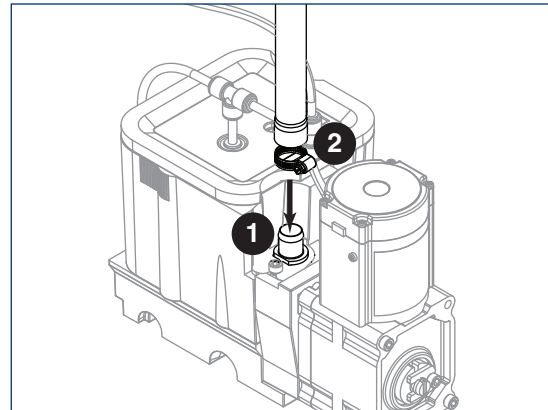
Fig. 26



8. Install transport tube (**Fig. 27.1**).

9. Tighten hose clamp (**Fig. 27.2**).

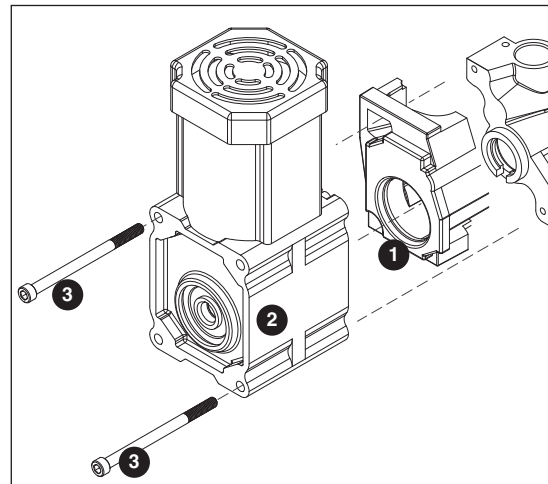
Fig. 27



10. Install gear motor:

- Install main housing insulation (**Fig. 28.1**).
- Slide gear motor onto auger shaft (**Fig. 28.2**).
- Install two M6x90 allen screws (**Fig. 28.3**).

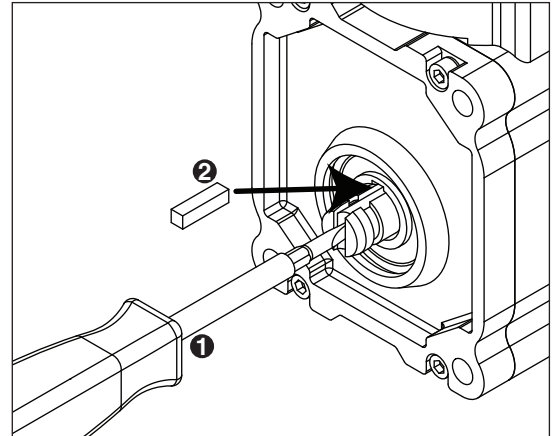
Fig. 28



Service (continued)

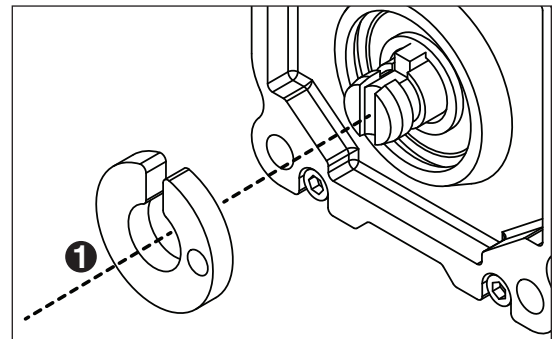
11. Use screwdriver to orient auger shaft to align with motor shaft keyway (**Fig. 29.1**).
12. Install key into keyway (**Fig. 29.2**).

Fig. 29



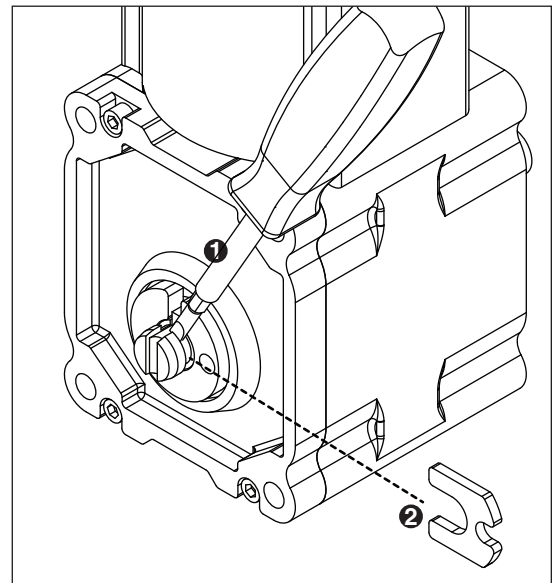
13. Install spacer, ensure that key is captured in slot (**Fig. 30.1**)

Fig. 30



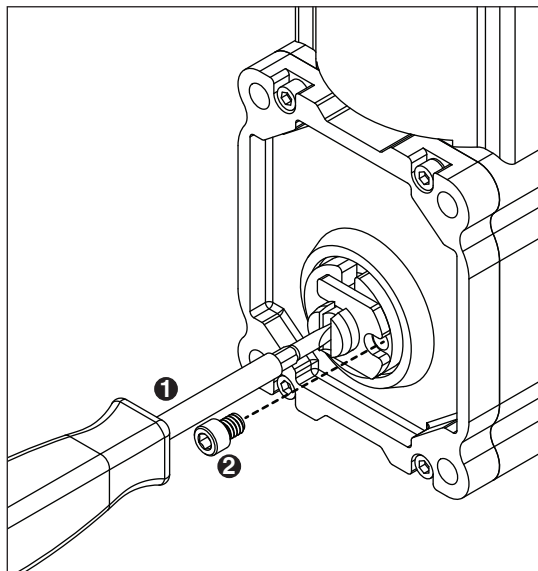
14. Insert screwdriver into groove of auger shaft and pry shaft outwards (**Fig. 31.1**).
15. Insert retainer into groove (**Fig. 31.2**), ensure that retainer is aligned with hole in spacer.

Fig. 31



16. Install screw and tighten (**Fig. 32.1**).

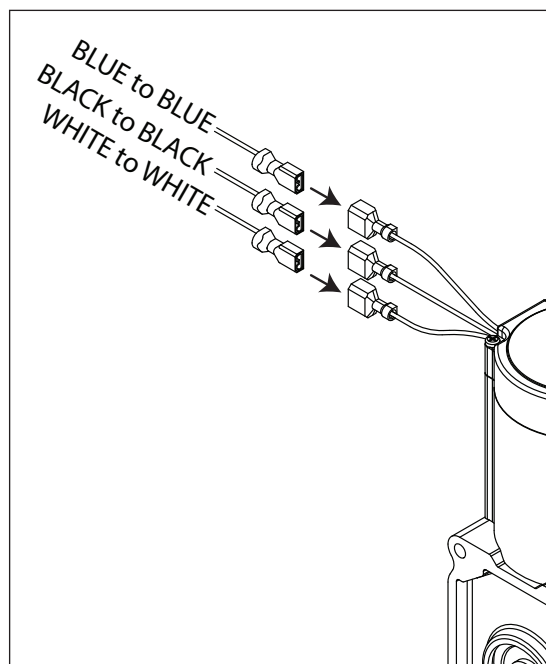
Fig. 32



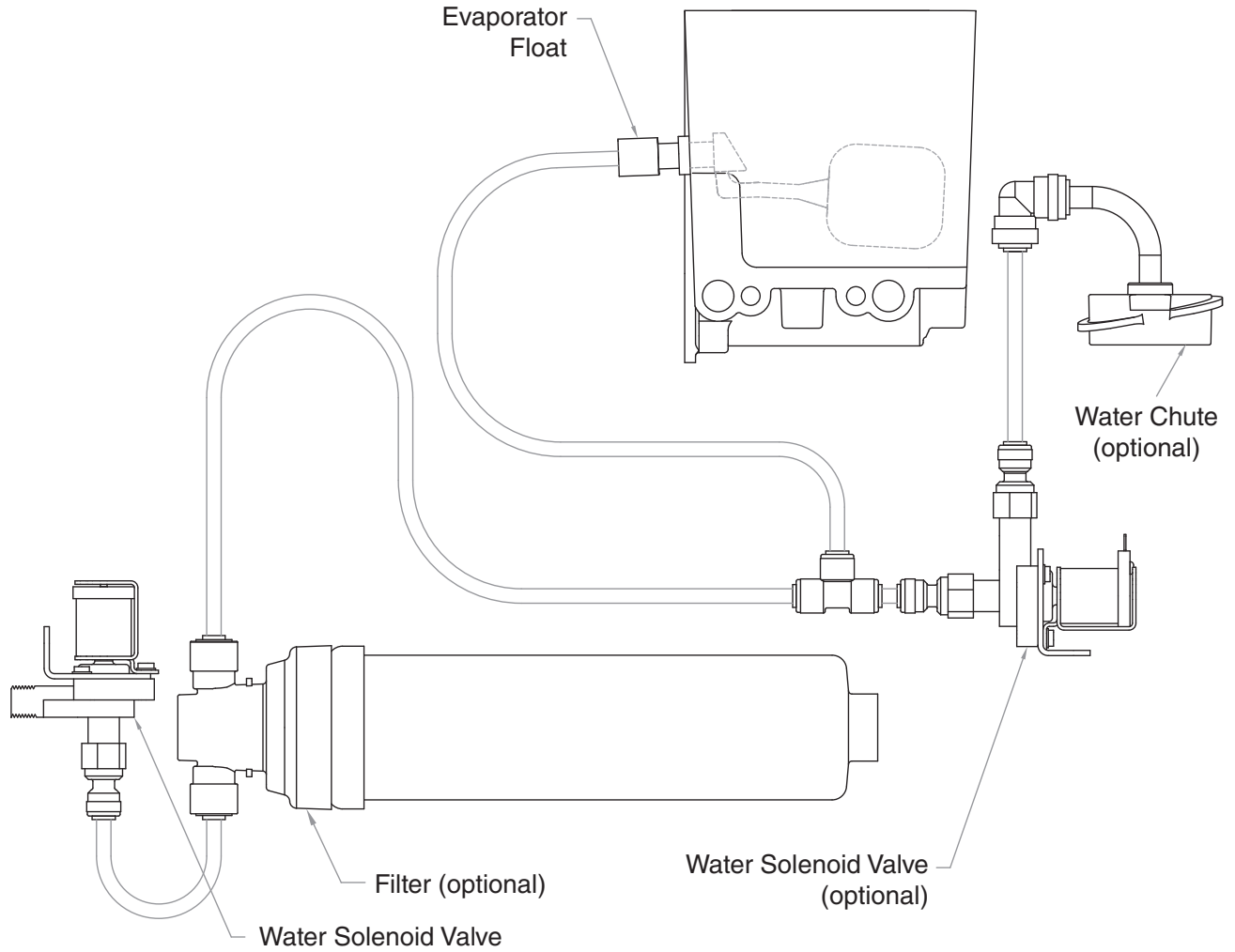
17. Plug in gear motor (**Fig. 33**).

- BLUE to BLUE
- BLACK to BLACK
- WHITE to WHITE
- Connect ground wire with ground screw.

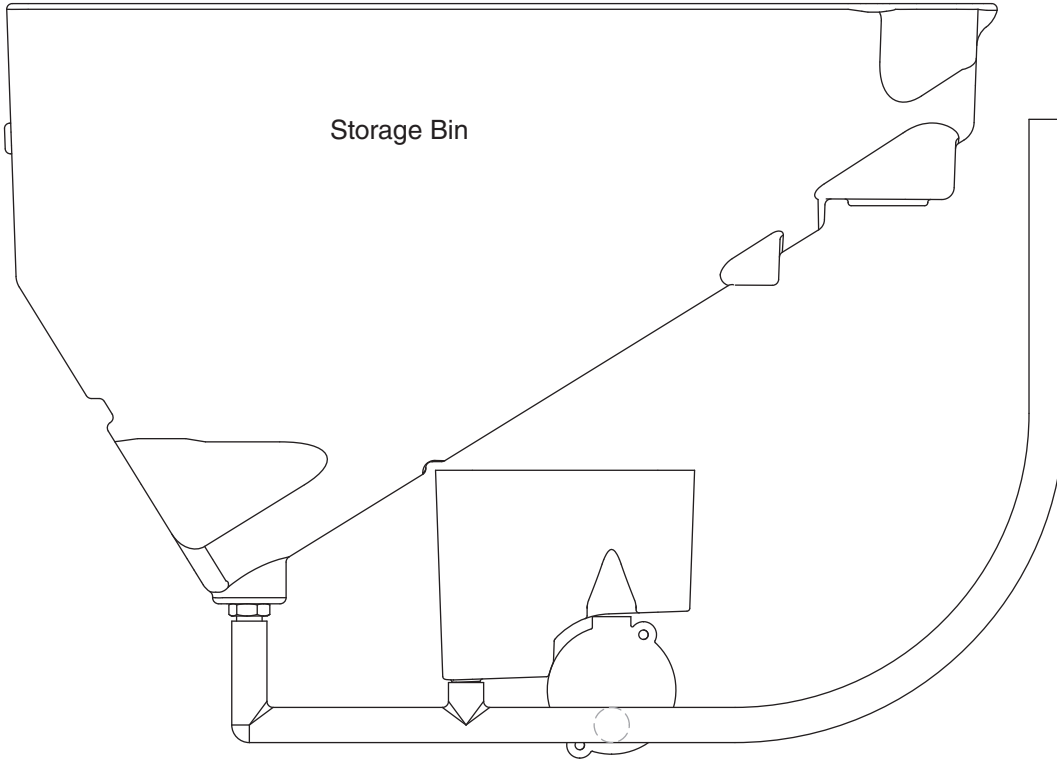
Fig. 33



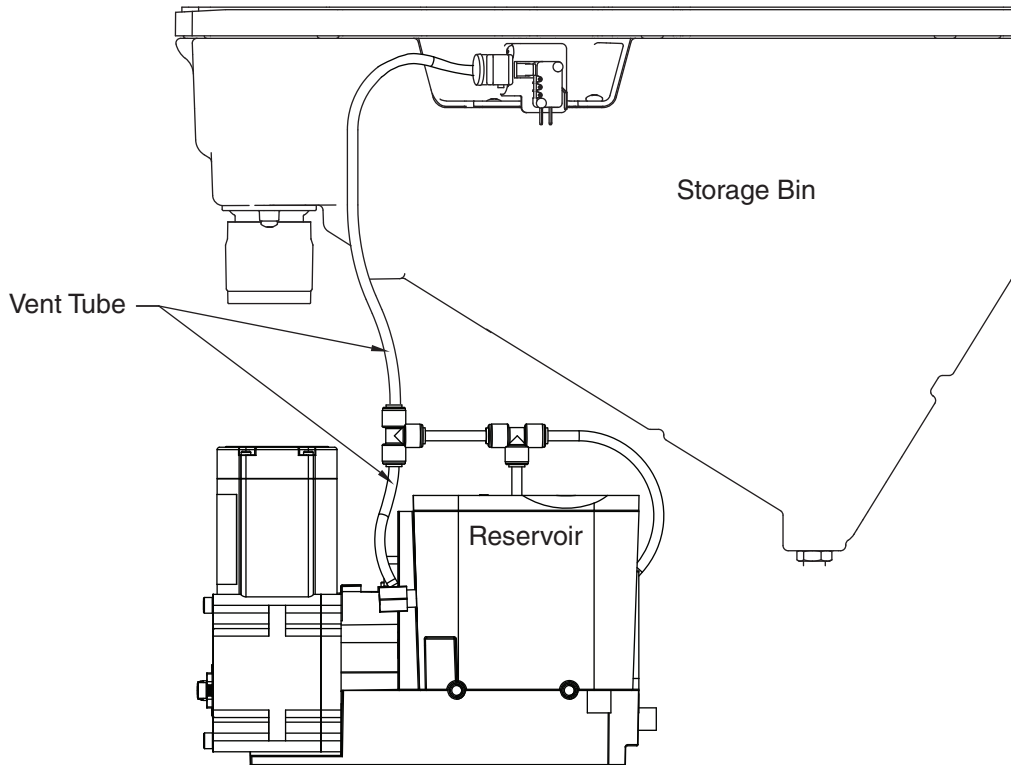
Water Feed Schematic



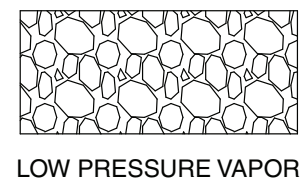
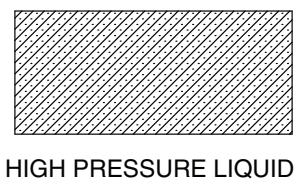
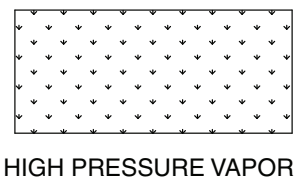
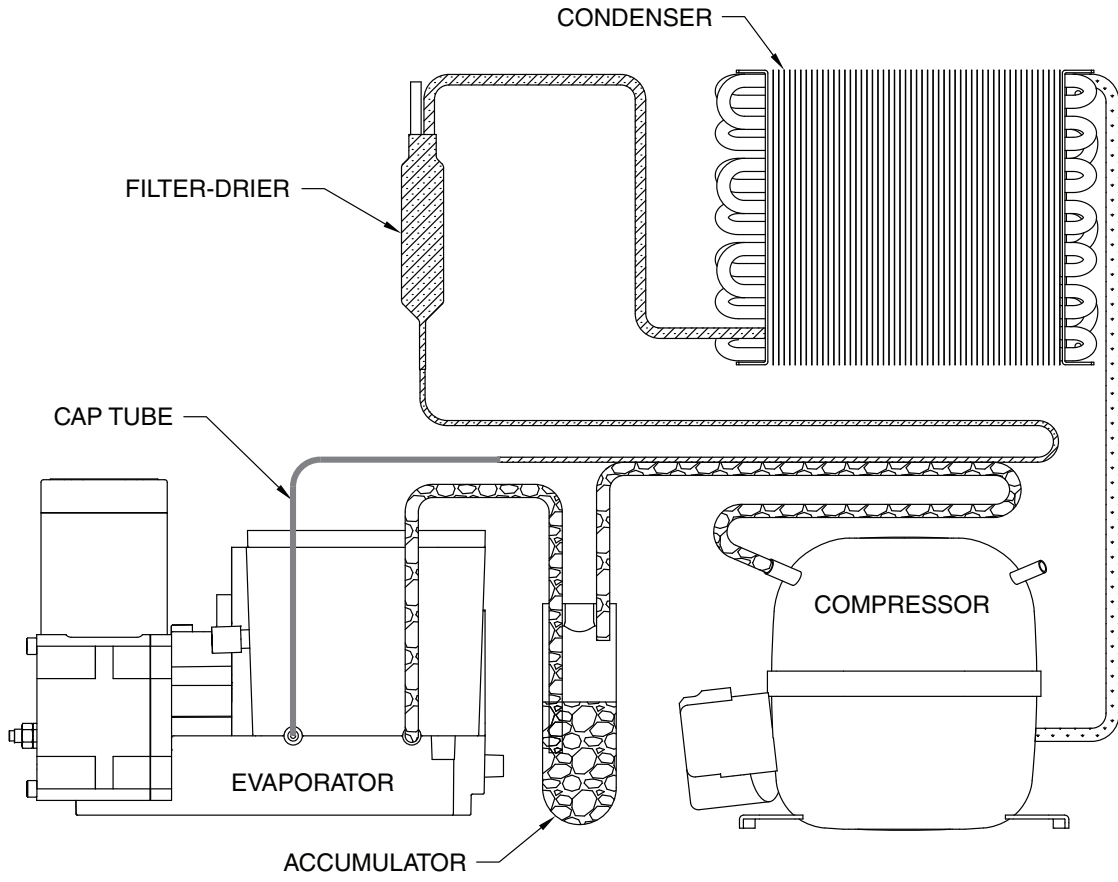
Bin Melt Water/Evaporator Feed/Clean Out System Schematic



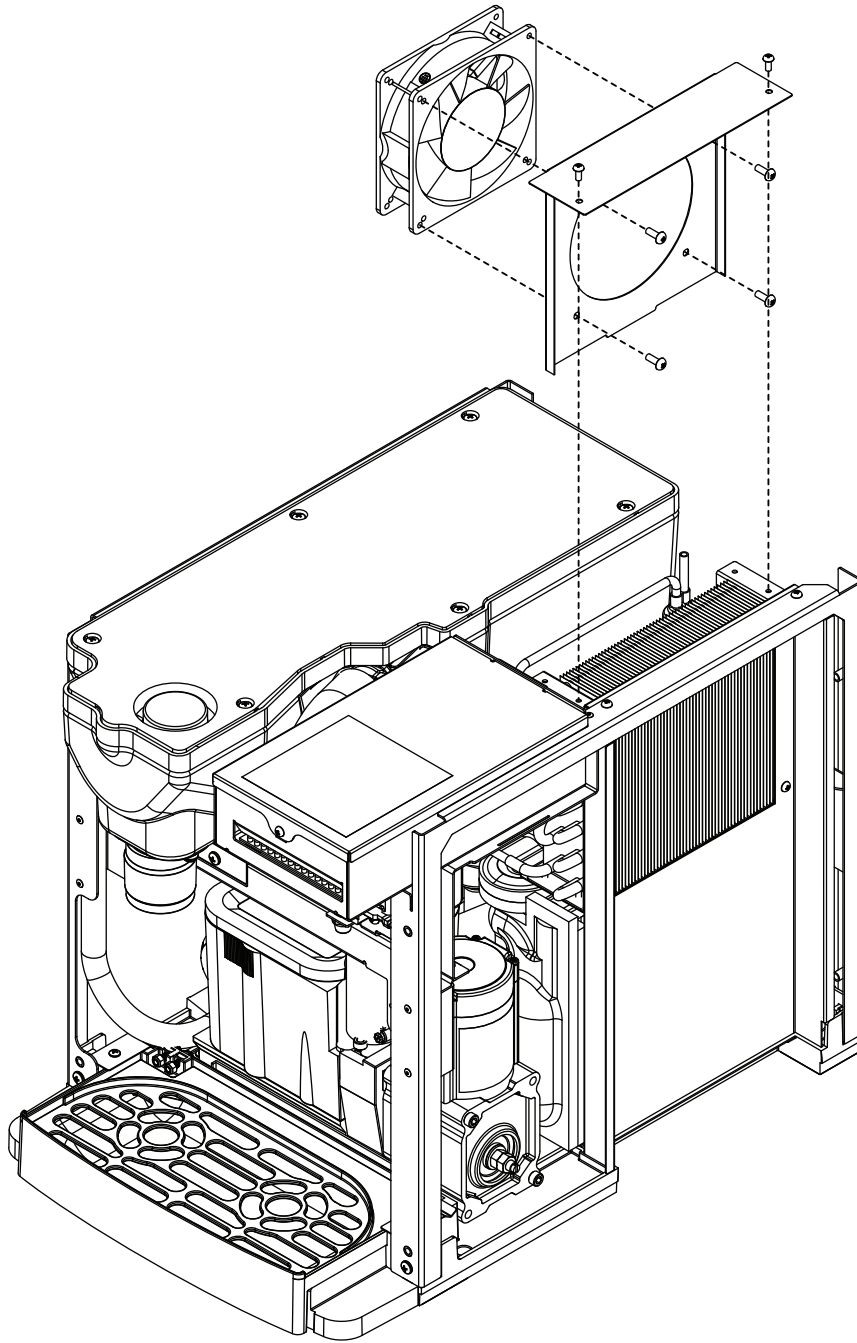
Vent System Schematic






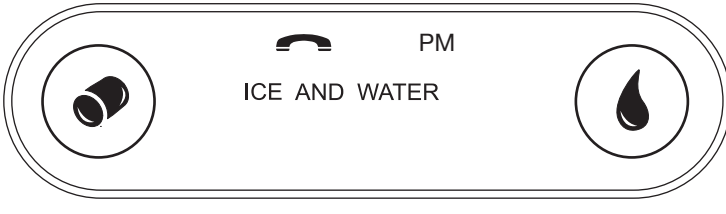
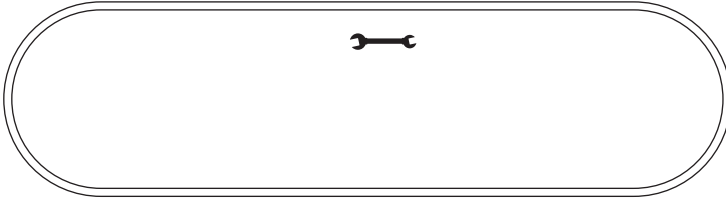



Refrigeration Schematic






Condenser Fan Motor Removal (7 Series Shown)



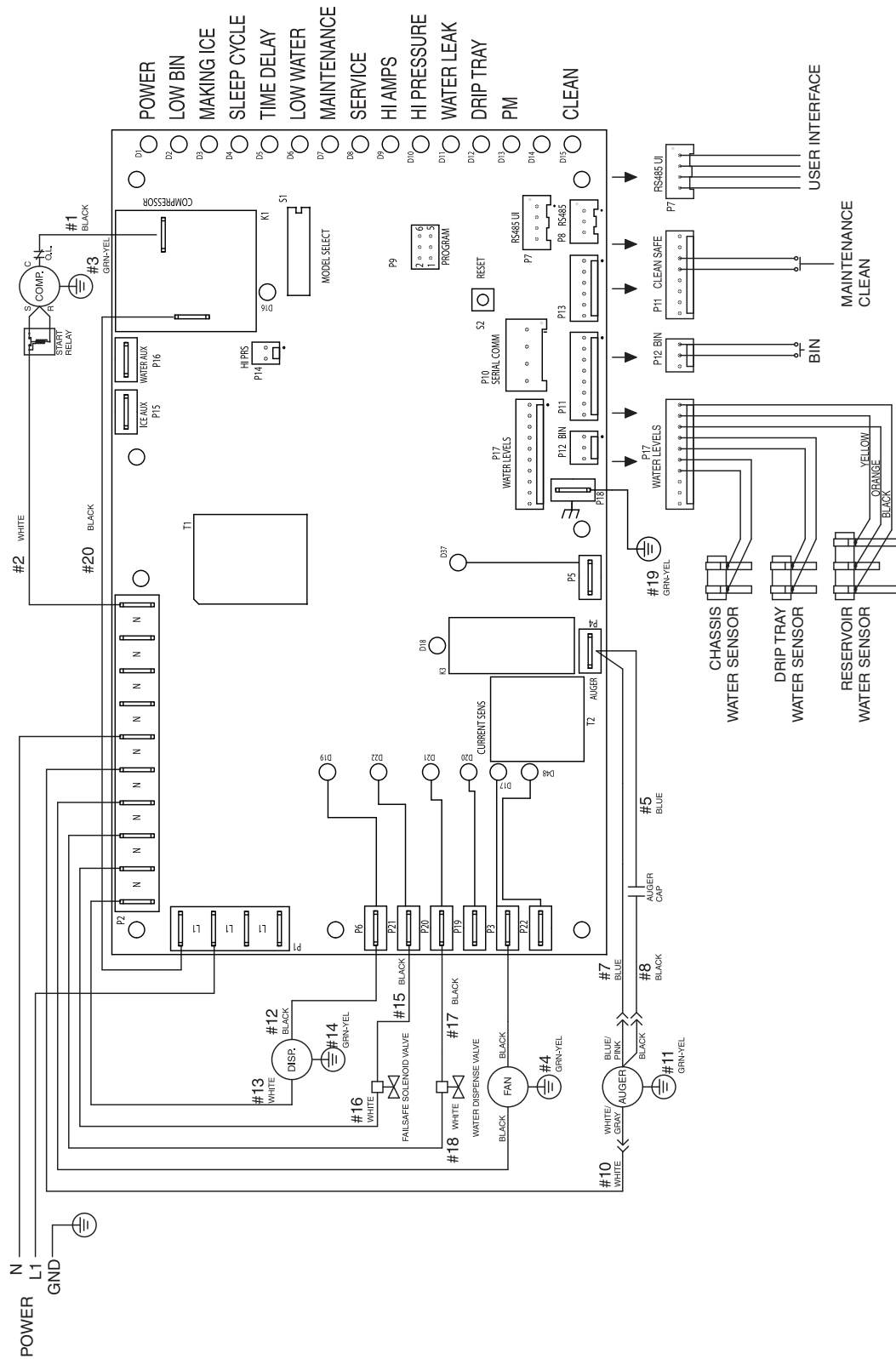
User Interface Display Identification

| Operation Display | Condition | Procedure |
|---|---|---|
|  | Normal operation | — |
|  | Cleaning Mode | Press and release maintenance/clean switch to clean the user interface without dispensing ice or water (see Maintenance/Cleaning Mode on page 12). |
|  | Drip tray full | Empty drip tray. |
|  | Six-month periodic maintenance required | Follow Maintenance Mode procedure (below) and also see NSF-approved Cleaning and Sanitizing Procedure on page 14 . |
|  | Maintenance Mode | Enter Maintenance Mode by pressing maintenance/clean switch until  displays. Complete the cleaning and sanitizing procedure shown on page 14 and change the filter, if so equipped. Exit Maintenance Mode by pressing and holding maintenance/clean switch until  no longer displays. |
|  | Service - 8000 hr bushing check | Call Follett Technical Service Group at (877) 612-5086 or +1 (610) 252-7301. The flashing wrench indicates that the 8000 hr bushing check is required. |

Service (continued)

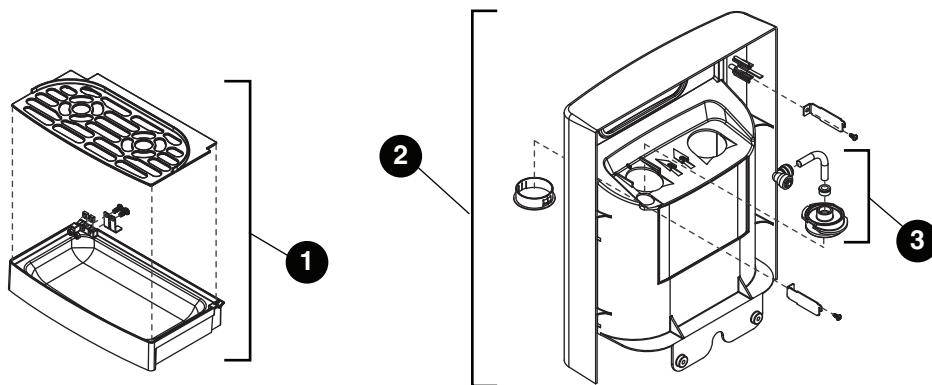
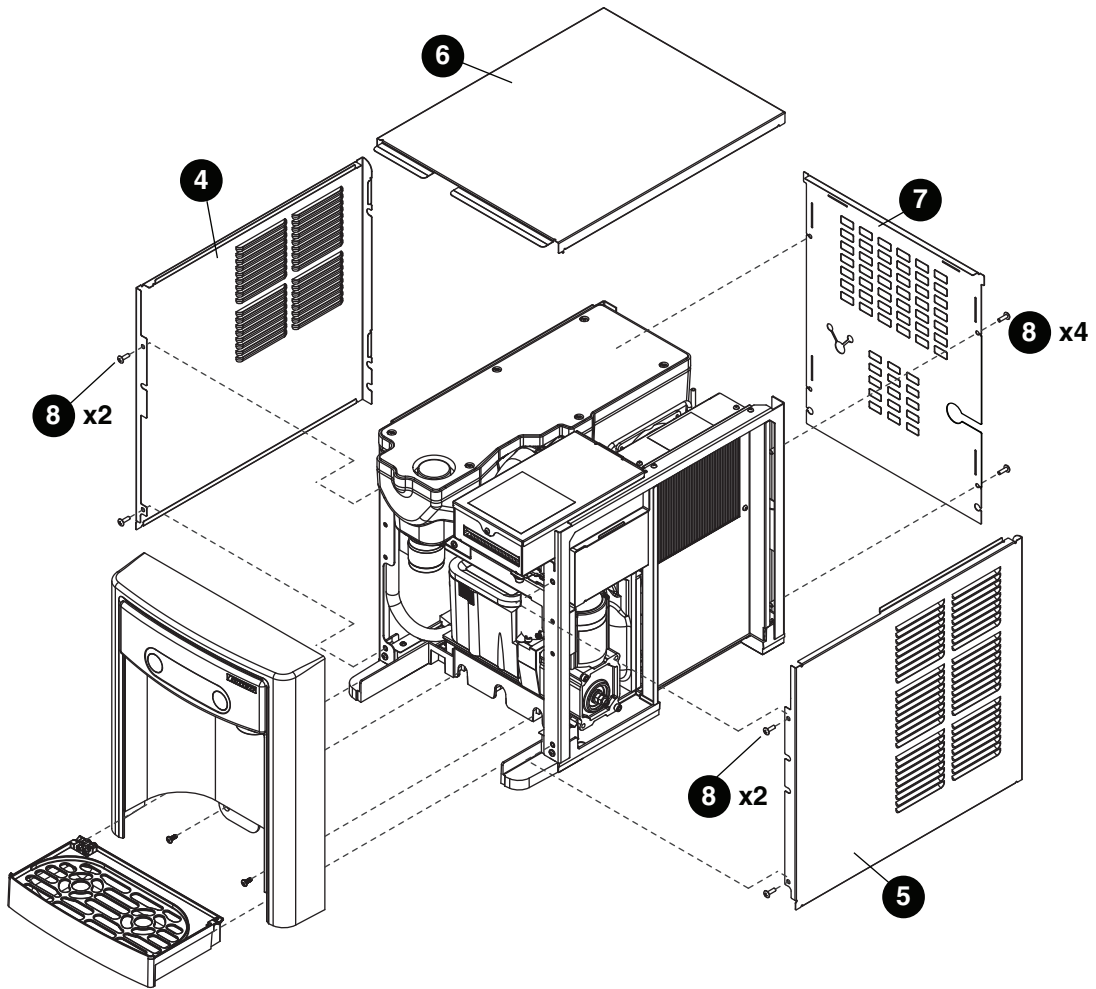
| Service Display | Condition | Procedure |
|---|----------------------------|---|
|  | High amps | Contact Follett technical service group at (877) 612-5086 or +1 (610) 252-7301. Note: For dispensers after serial number D45191, the phone and wrench will <i>not</i> be illuminated. |
|  | Internal leak in dispenser | Locate leak and repair - Press reset on control board. Contact Follett if icemaker is leaking. |
|  | Sleep mode | Press either dispense button to return to normal operation. |

Electrical Wiring Diagram



Parts

7 Series Exterior

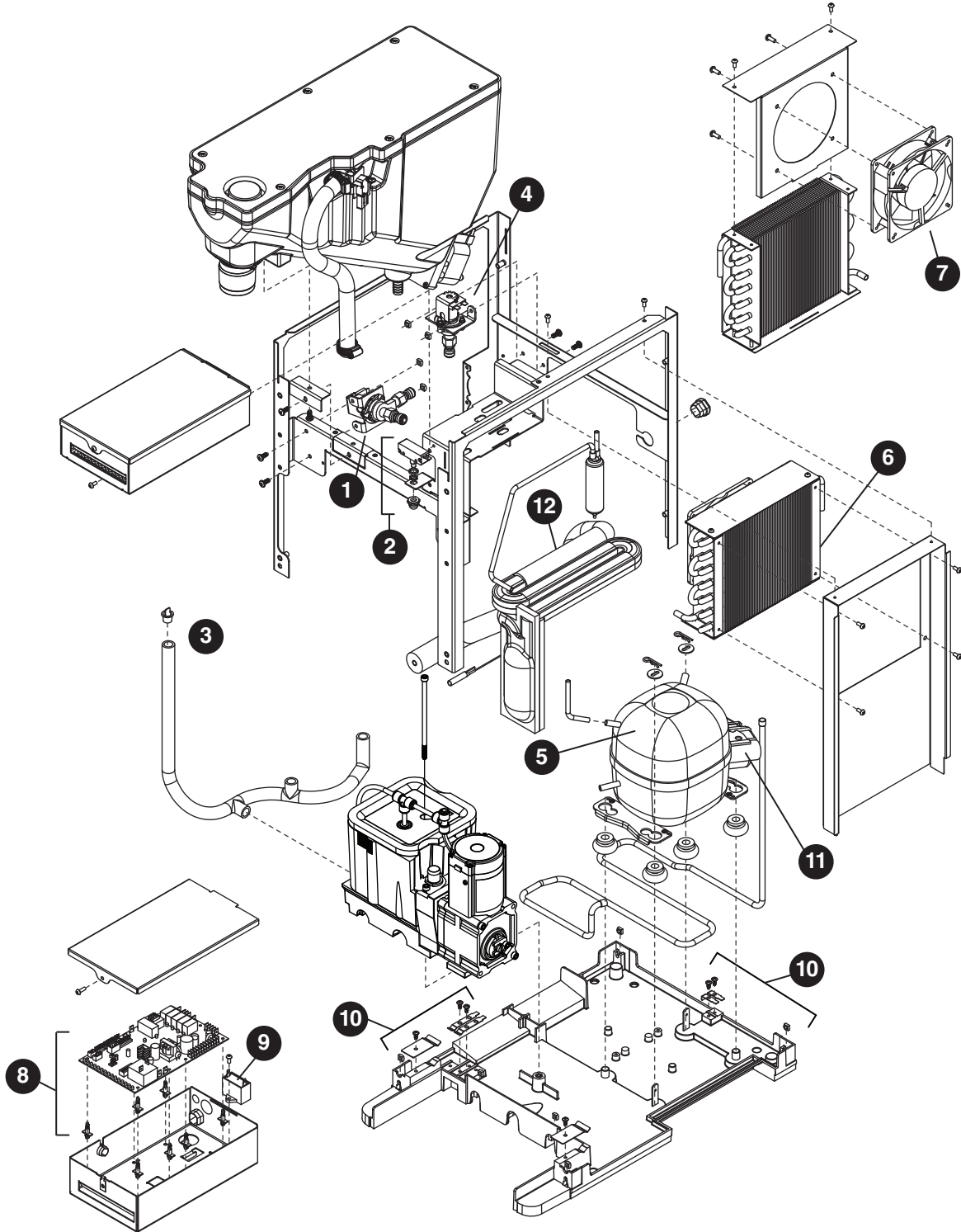


Parts (continued)

Exterior

| Reference # | Description | Part # |
|-------------|--|----------|
| 1 | Drip Tray Assy | 00957613 |
| 2 | Panel, Front Assy - Includes Water Nozzle and Plug | 00957621 |
| 3 | Chute, Water (water option) | 00957688 |
| 4 | Panel, Left | 00932806 |
| 5 | Panel, Right | 00932798 |
| 6 | Panel, Top | 00957654 |
| 7 | Panel, Rear | 00933911 |
| 8 | Screw, M5 x 12 Phillips | 00931931 |
| Not Shown | Cord, 115 VAC | 00958058 |
| Not Shown | 7 Series Packaging for Returns, Dispenser | 00957993 |
| Not Shown | Fitting, Elbow - 1/4" FPT x 1/4" Tube | 00974261 |
| Not Shown | Drip Tray Drain Kit | 00956375 |
| Not Shown | Drip Tray Drain Kit with 4" legs | 00981977 |

7 Series Interior

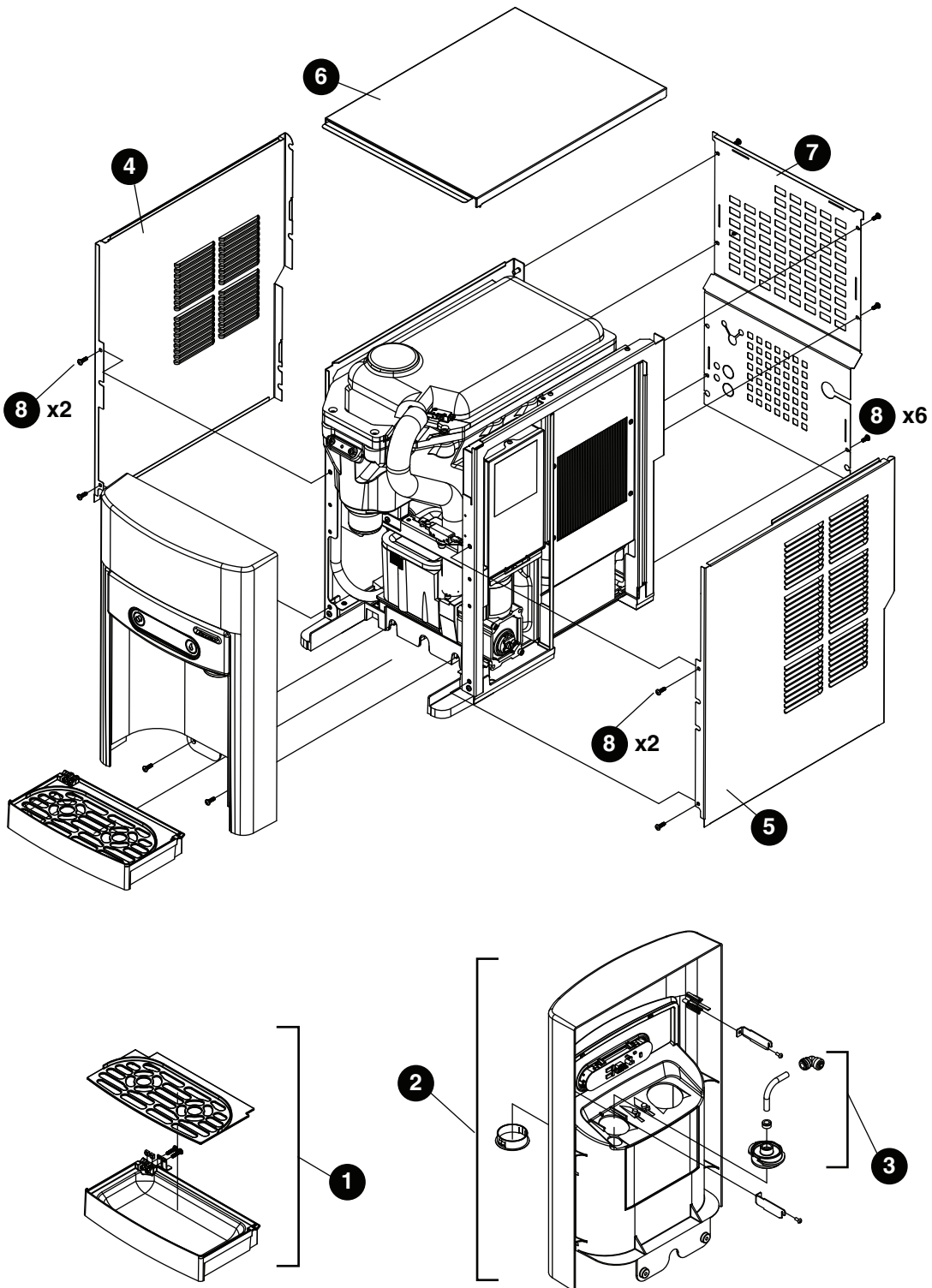


Parts (continued)

Interior

| Reference # | Description | Part # |
|-------------|---|----------|
| 1 | Valve, Dispense Solenoid (water option) | 00957704 |
| 2 | Switch, Cleaning | 00957712 |
| 3 | Drain/Feed Tube with Cap | 00957720 |
| 4 | Valve, Failsafe Solenoid | 00957738 |
| 5 | Compressor with Mounting Hardware | 00958009 |
| 6 | Condenser | 00958017 |
| 7 | Condenser Fan and Cord | 00958025 |
| 8 | Control Board with Stand-offs | 00958033 |
| 9 | Capacitor, Gearmotor | 00958041 |
| 10 | Sensor, Retainer Hardware Kit | 00958066 |
| 11 | Relay and Overload | 00958090 |
| 12 | Refrigeration, Piping Assy | 00958132 |

15 Series Exterior

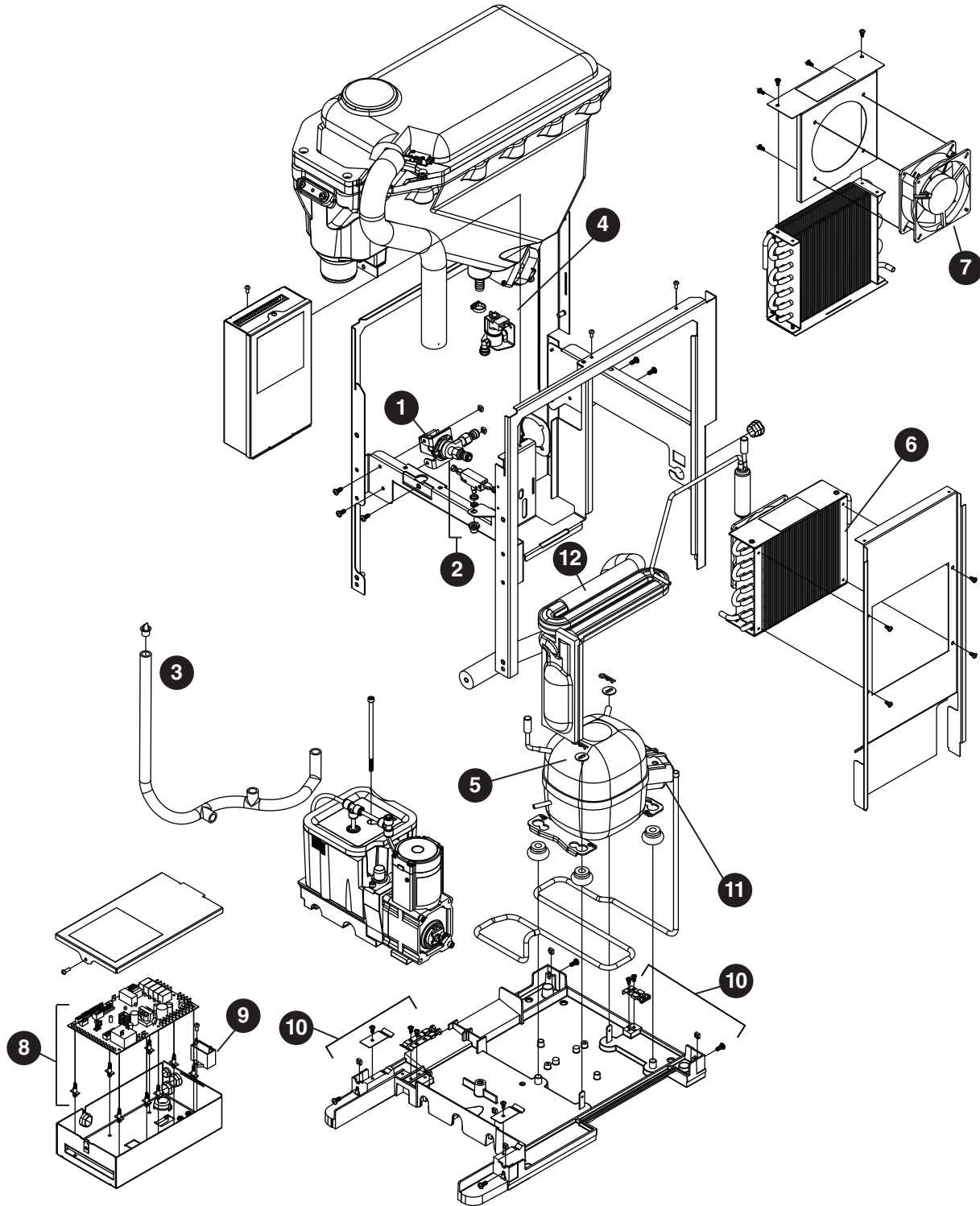


Parts (continued)

Exterior

| Reference # | Description | Part # |
|-------------|--|----------|
| 1 | Drip Tray Assy | 00957613 |
| 2 | Panel, Front Assy - Includes Water Nozzle and Plug | 01036425 |
| 3 | Chute, Water (water option) | 00957688 |
| 4 | Panel, Left | 01026343 |
| 5 | Panel, Right | 01026335 |
| 6 | Panel, Top | 01054733 |
| 7 | Panel, Rear | 01025980 |
| 8 | Screw, M5 x 12 Phillips | 00931931 |
| Not Shown | Cord, 115 VAC | 00958058 |
| Not Shown | 15 Series Packaging for Returns, Dispenser | 01054634 |
| Not Shown | Fitting, Elbow - 1/4" FPT x 1/4" Tube | 00974261 |
| Not Shown | Drip Tray Drain Kit | 00956375 |
| Not Shown | Drip Tray Drain Kit with 4" legs | 00981977 |
| Not Shown | Covers, Agion, User Interface | 00969030 |

15 Series Interior

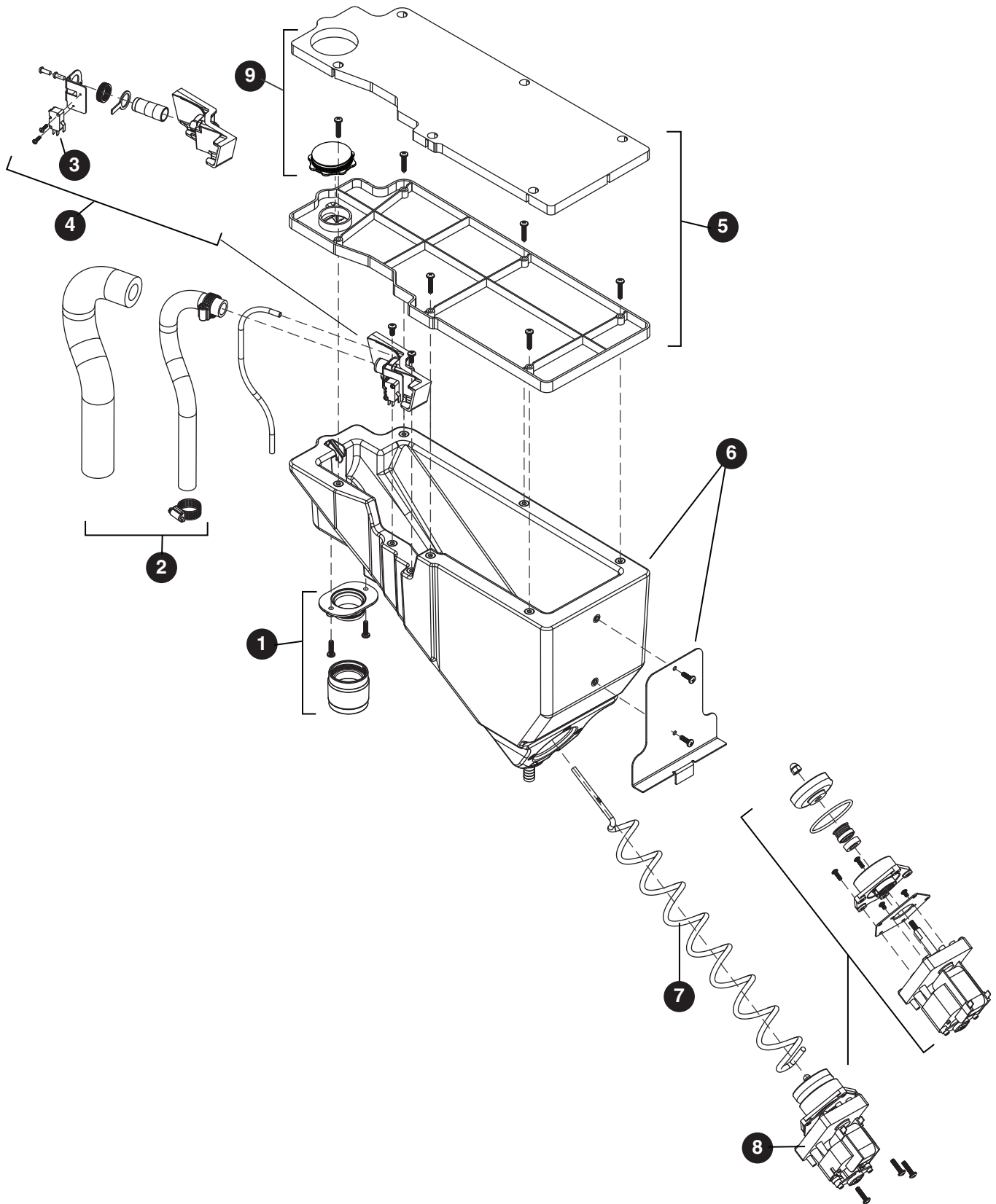


Parts (continued)

Interior

| Reference # | Description | Part # |
|-------------|---|----------|
| 1 | Valve, Dispense Solenoid (water option) | 00957704 |
| 2 | Switch, Cleaning | 00957712 |
| 3 | Drain/Feed Tube with Cap | 00957720 |
| 4 | Valve, Failsafe Solenoid | 00957738 |
| 5 | Compressor with Mounting Hardware | 00958009 |
| 6 | Condenser | 00958017 |
| 7 | Condenser Fan and Cord | 00958025 |
| 8 | Control Board with Stand-offs | 01051978 |
| 9 | Capacitor, Gearmotor | 00958041 |
| 10 | Sensor, Retainer Hardware Kit | 00958066 |
| 11 | Relay and Overload | 00958090 |
| 12 | Refrigeration, Piping Assy | 00958132 |

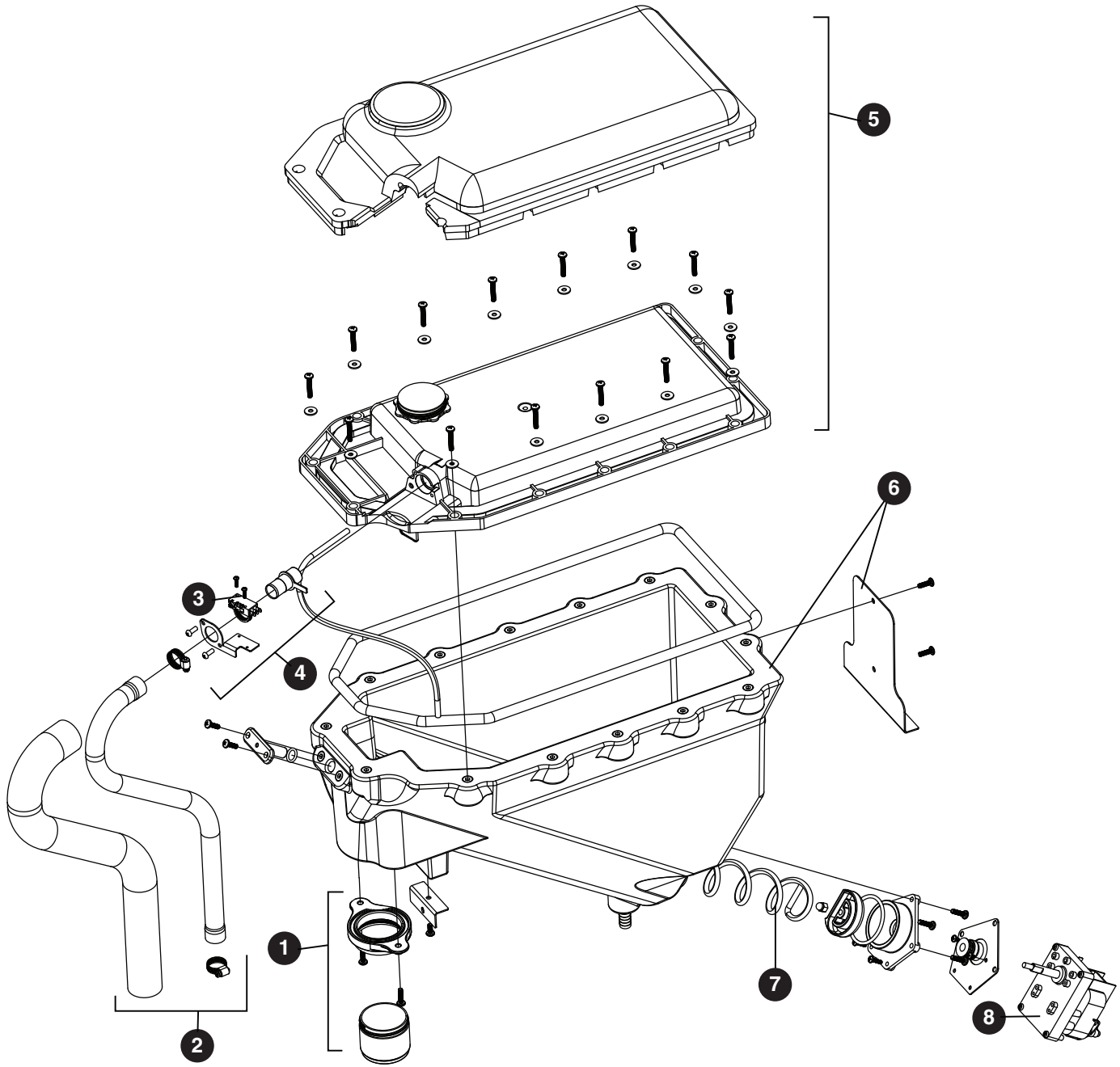
7 Series Bin Assembly



Parts (continued)**7 Series Bin Assembly**

| Reference # | Description | Part # |
|-------------|--------------------------------------|----------|
| 1 | Ice Chute Assembly | 00957670 |
| 2 | Ice Transport Tubing with Insulation | 00957746 |
| 3 | Switch, Shuttle | 00957753 |
| 4 | Shuttle, Complete Assy | 00957761 |
| 5 | Lid, Bin Assy | 00957779 |
| 6 | Bin, Assy | 00957787 |
| 7 | Auger, Dispense | 00931113 |
| 8 | Motor, Dispense | 00957803 |
| 9 | Cap and Insulation, Bin | 00957936 |
| Not Shown | For serial numbers D17619 and below: | |
| | Bin Cap | 00931519 |
| | Ice Chute | 00927210 |
| | Chute Adapter | 00926550 |

15 Series Bin Assembly

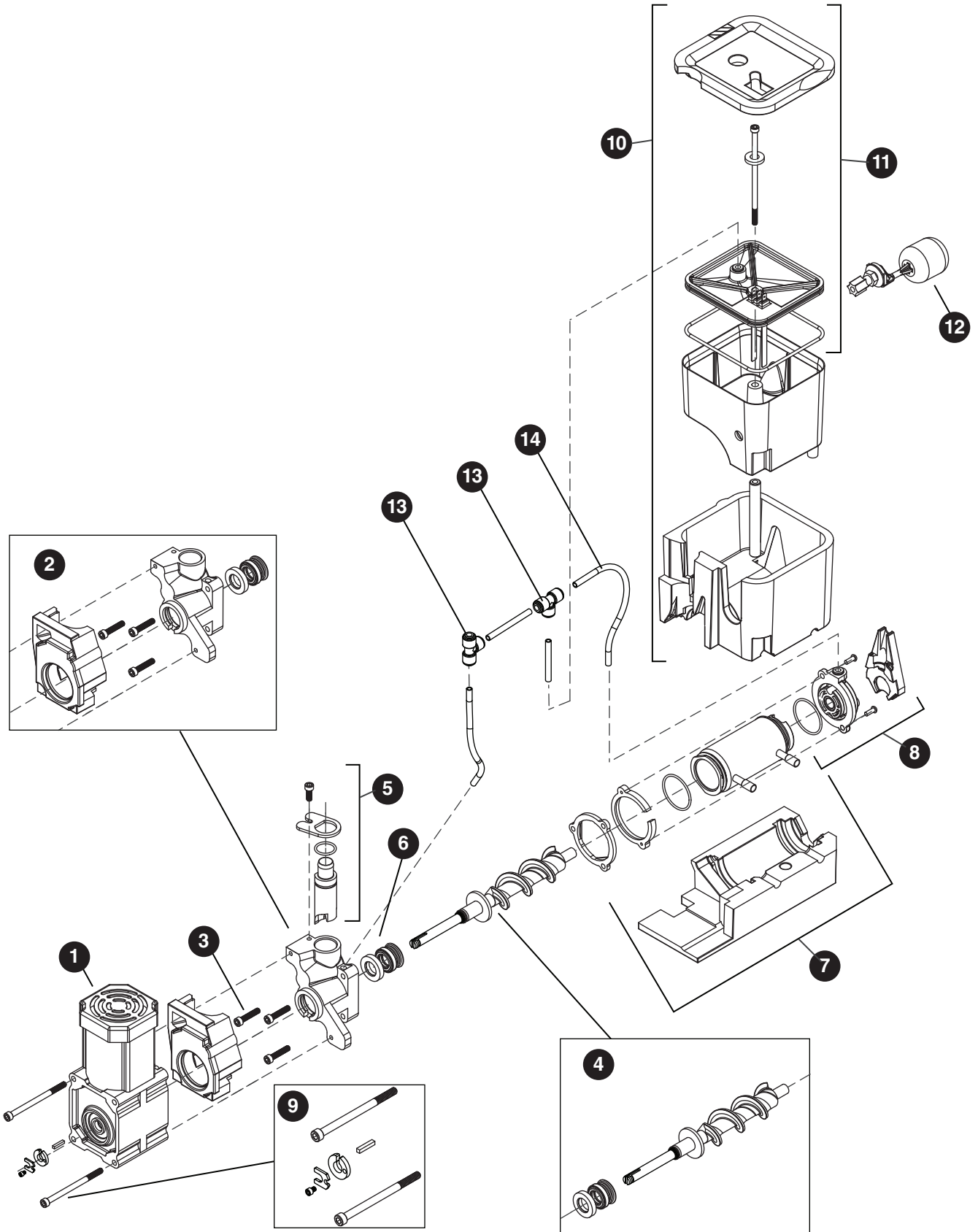


Parts (continued)

15 Series Bin Assembly

| Reference # | Description | Part # |
|--------------------|--------------------------------------|---------------|
| 1 | Ice Chute Assembly | 01051846 |
| 2 | Ice Transport Tubing with Insulation | 01051960 |
| 3 | Switch, Shuttle | 00957753 |
| 4 | Shuttle, Complete Assy | 01053248 |
| 5 | Lid, Bin Assy | 01053255 |
| 6 | Bin, Assy | 01053263 |
| 7 | Auger, Dispense | 01026251 |
| 8 | Motor, Dispense | 00957803 |
| 9 | Cap and Insulation, Bin | 01053305 |

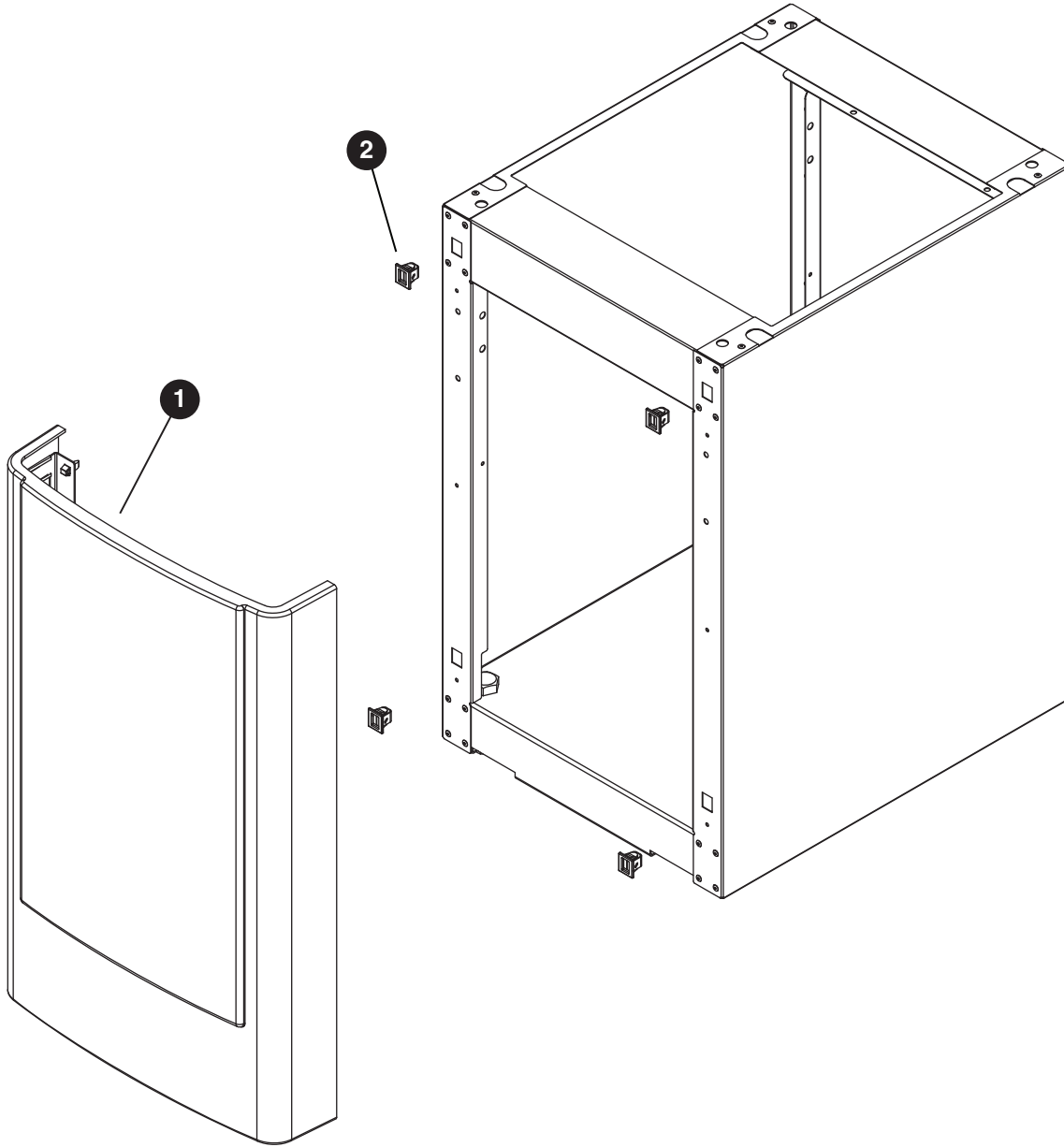
Evaporator Assembly



Parts (continued)**Evaporator Assembly**

| Reference # | Description | Part # |
|-------------|---|----------|
| 1 | Gearmotor Assy | 00957811 |
| 2 | Main Housing with Front Seal and Screws | 00957829 |
| 3 | Screws, Main Housing | 00957837 |
| 4 | Auger with front seal | 00957845 |
| 5 | Ice Compression Nozzle Assy | 00957852 |
| 6 | Front Seal and O-Ring | 00957860 |
| 7 | Evaporator Assembly with Insulation | 00957878 |
| 8 | Housing, Bushing with Insulation | 00957886 |
| 9 | Hardware kit, Gearmotor (For serial numbers E01087 and above) | 01048628 |
| 9 | Hardware kit, Gearmotor (For serial numbers below E01087) | 00957894 |
| 10 | Reservoir and Float Complete Assy | 00957902 |
| 11 | Lid, Reservoir with Insulation and O-Ring | 00957910 |
| 12 | Float Valve | 00957928 |
| 13 | "T" Fitting - 1/4" | 502923 |
| 14 | Tubing - 1/4" (sold in 12" increments) | 502079 |

Base Stand



Parts (continued)

Base Stand

| Reference # | Description | Part # |
|-------------|-----------------------------|----------|
| 1 | Front Panel, Base | 00958108 |
| 2 | Latches with Bayonets, Base | 00958116 |
| Not Shown | Tray, Base | 00958124 |
| Not Shown | Packaging for Returns, Base | 00957985 |

Miscellaneous

| Reference # | Description | Part # |
|-------------|--|----------|
| Not Shown | Water filter cartridge, 5 micron | 00968107 |
| Not Shown | IMS II sanitizer concentrate, 16 oz | 00979674 |
| Not Shown | SafeCLEAN Plus, 3 pack | 01054683 |
| Not Shown | SafeCLEAN Plus, 6 pack | 01054691 |
| Not Shown | SafeCLEAN Plus, case of 24 | 01050863 |
| Not Shown | 6" Legs for base stand, set of 4 | 00956318 |
| Not Shown | 4" Legs for countertop dispenser, set of 4 | 00956300 |

SafeCLEAN and SafeCLEAN Plus are trademarks of Follett Corporation.
Chewblet and Follett are registered trademarks of Follett Corporation, registered in US.



801 Church Lane • Easton, PA 18040, USA
Toll free (877) 612-5086 • +1 (610) 252-7301
www.follettice.com



00951640R09
© Follett Corporation 9/14