

# Mounting Instructions

HÄFELE

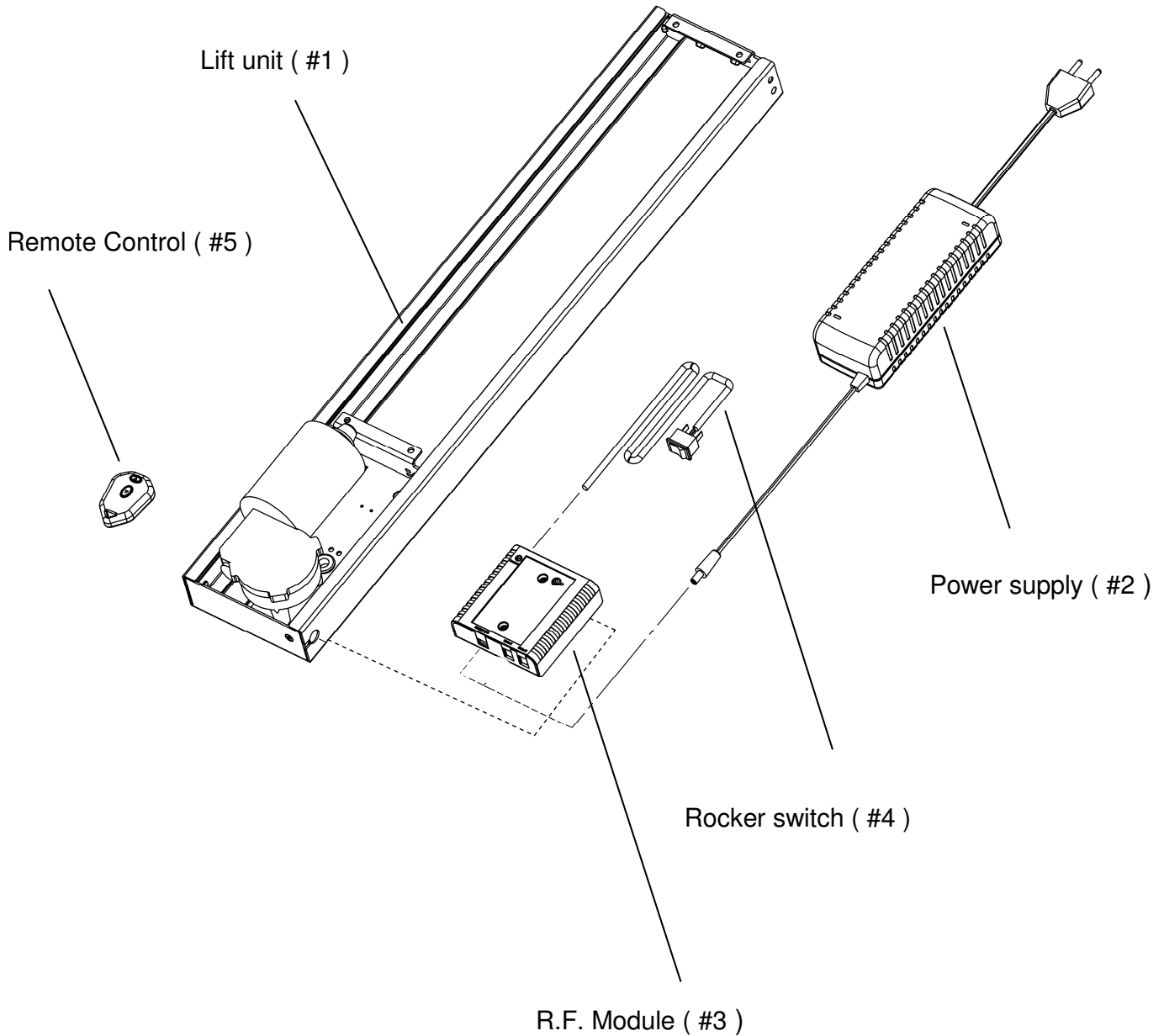
Item No.: 421.68.441

## Flat TV Lift

### Parts included with your Flat Lift

- Lift unit ( #1 )
- Power supply ( #2 )
- R.F. Module ( #3 )
- Rocker switch ( #4 )
- Remote Control ( #5 )

Load: Min. 5 kg / Max. 50 kg  
Reverse function setting; Lift configured for standard vertical mounting – see possibilities in Remote system instruction.



## **Important safety Instructions**

**CAUTION: Before you begin any of the Installation procedures on page 4, read and follow the warnings and safety instructions on this page.**

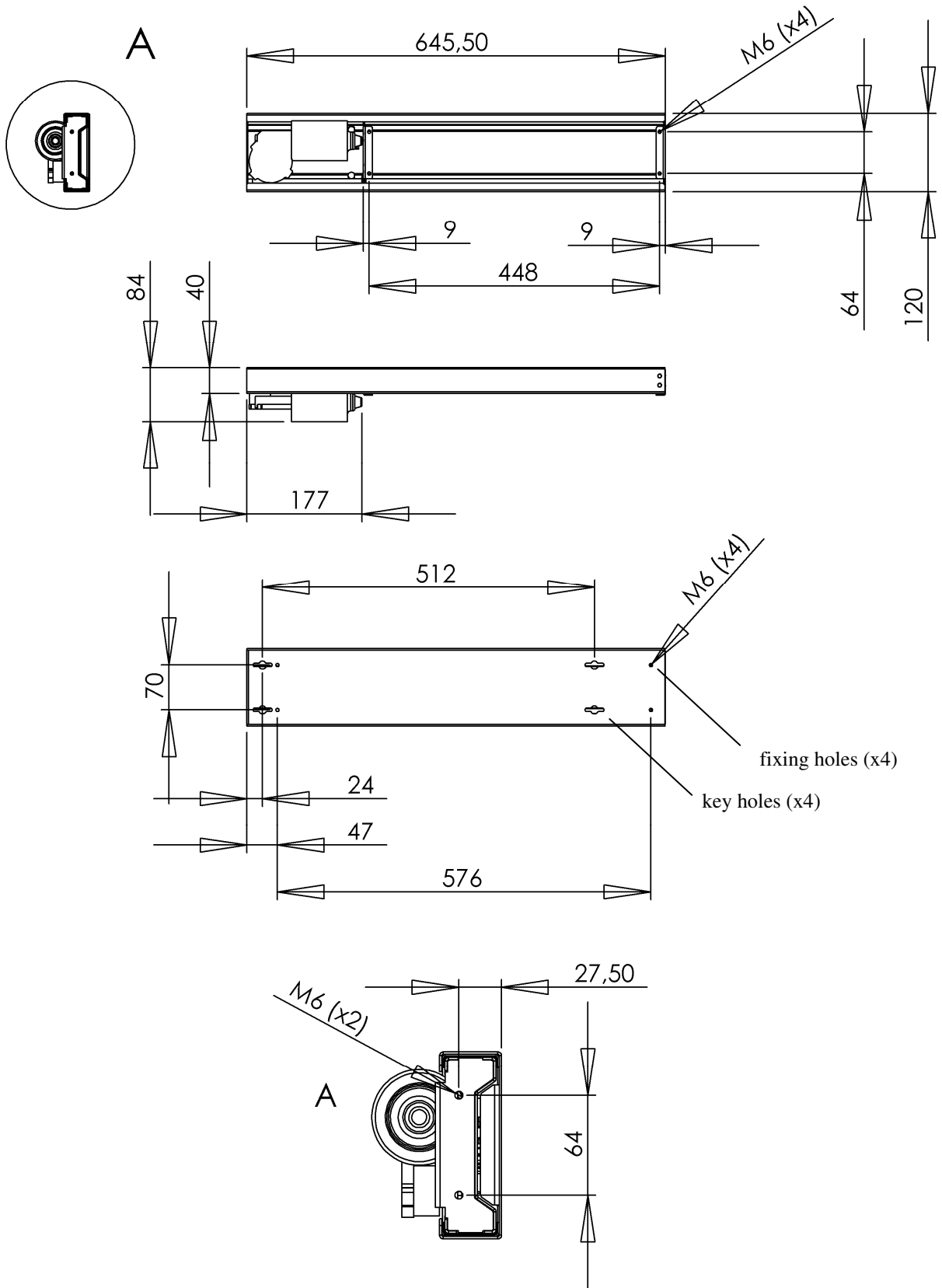
**WARNING ! THIS IS NOT A TOY !**

**WARNING ! CHILDREN SHOULD NOT OPERATE LIFT OR  
REMOTE CONTROL !**

Use the following safety guidelines to help protect your lift from potential damage and to ensure your own personal safety.

- Read all the installation instructions before testing or installing your lift.
- Read and follow all safety instructions.
- Keep remote control out of reach of children.
- To prevent bodily injury keep hands and clothing away from the lift while the lift is in operation.
- Before installing the lift or working with its connections, unplug the lift from the electrical shock.
- Do not install the lift, power supply or R.F. module in places subject to extreme temperatures for example near a radiator, or heating vent.
- To avoid damaging the power supply, R.F. module and power cord, do not put anything on it or place it where it could become damaged.
- Unplug the lift in the following conditions:
  - When the power cord or plug is damaged or frayed.
  - If liquid has spilled into the lift, power supply or RF module.
  - If the lift, power supply or RF module has been exposed to rain or wa-

# Main measures



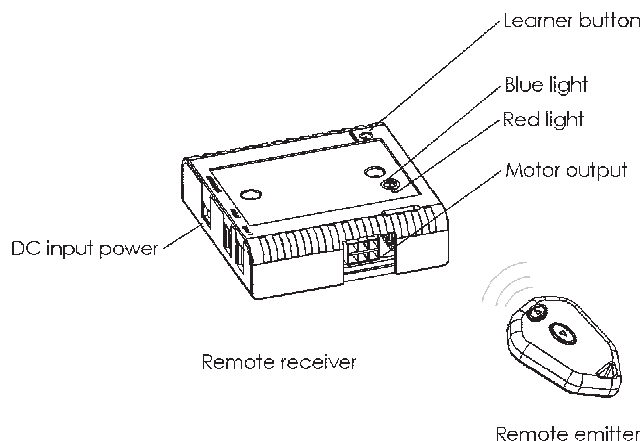
## **Mounting guideline**

- 1) Remove all contents from packaging and compare with parts list.
- 2) Place the lift unit (#1) on e.g. the back panel of cabinet in a location that will allow full up and down movement of the lift.
- 3) Fasten the unit securely to the cabinet. Screws must be appropriate for the material being used.
- 4) Connect the plugs from lift unit (#1) and power supply (#2) to R.F. Module (#3). Please also refer to the user instruction packed along with the remote unit.
- 5) Mount rocker switch (#4) on wanted location by cutting a hole and pressing the switch into place. Secure excess wire to keep away from moving parts.
- 6) Plug the power cord into wall outlet and test the lift. If the unit doesn't work, check all connections and retry. If still not working, refer to trouble shooting guide.

## **User instruction, RF remote system**

### **Installation**

- connect the power supply and the motor unit to the remote receiver. 2 different plug sizes make this connection only possible to make in the right way
- after having connected the plugs, the blue light will be lightning
- push the emitter buttons and the motor unit will move up and down
- for stopping the motion one of the buttons need to be pushed



### **Learning**

- if the remote receiver do not respond when pushing the emitter buttons, reset the receiver. After that, code the emitter and receiver together again

### **Coding**

- push the learner button on the receiver for less than 1 sec.
- push one of the emitter buttons
- the red light will start flashing
- push one of the emitter buttons again and the red light will turn off
- the units now are coded together with a unique code