

# Indigo® Series 1406 Ice Cube Machine

Model:  ID-1406A     ID-1406W     ID-1496N  
 IY-1406A     IY-1406W     IY-1496N



Indigo Series i-1406  
Ice Machine on B-970 Bin

Designed for operators who know that ice is critical to their business, the Indigo® Series ice machine's preventative diagnostics continually monitor itself for reliable ice production. Improvements in cleanability and programmability make your ice machine easy to own and less expensive to operate. New levels Performance showcasing improved ice harvest along with reductions in energy consumption.

- **New Levels of Performance** – showcasing reduction in energy consumption and improved ambient ice production: up to 11% reduction in energy and up to 11% increase in ice production. Water consumption /100 lbs. of ice is also reduced 15%.
- **EasyRead™ Display** – communicates operating status, cleaning reminders, and asset information through a blue illuminated display.
- **Programmable Ice Production** – by On/Off Time, Ice Volume or Bin Level (with accessory bin level control) further improves energy efficiency and savings.
- **Easy to Clean Foodzone** – Hinged front door swings out for easy access. Removable water-trough, distribution tube, curtain, and sensing probes for fast and efficient cleaning. Select components made with AlphaSan® antimicrobial.
- **Intelligent Diagnostics** – provide 24-hour preventative maintenance and diagnostic feedback for trouble free operation.
- **Acoustical Ice Sensing Probe** – for reliable operation in challenging water conditions.
- **DuraTech™ Exterior** – provides superior corrosion resistance. Stainless finish with innovative clear-coat resists fingerprints and dirt.
- Available **LuminIce® Growth Inhibitor** controls the growth of bacteria and yeast within the foodzone.

## Ice Machine Electric

208-230/60/1 standard  
(208-230/60/3 and 230/50/1 also available.)

### Minimum circuit ampacity:

Air-cooled:	15.9 1ph	12.3 3ph
Water-cooled:	14.3 1ph	11.3 3ph
Remote-cooled:	14.9 1ph	12.3 3ph

### Maximum fuse size:

Air-cooled:	25 1ph	20 3ph
Water-cooled:	25 1ph	20 3ph
Remote-cooled:	25 1ph	20 3ph

## Specifications

### BTU Per Hour:

23,500 (average)  
27,000 (peak)

### Refrigerant:

R-404A CFC-free

### Operating Limits:

- Ambient Temperature Range: 35° to 110°F (1.7° to 43.3°C)  
Water Temperature Range: 35° to 90°F (1.7° to 32.2°C)
- Water Pressure Ice Maker Water In: Min. 20 psi (137.9 kPa)  
Max. 80 psi (551.1 kPa)



## Ice Shape



**Half Dice**  
3/8" x 1 1/8" x 7/8"  
(.95 x 2.86 x 2.22 cm)



**Dice**  
7/8" x 7/8" x 7/8"  
(2.22 x 2.22 x 2.22 cm)





# Indigo® Series 1406 Ice Cube Machine

## i-1406 on B-970 Storage Bin

### Installation Note

Air Cooled clearance:

Top: 24" (61.0 cm)

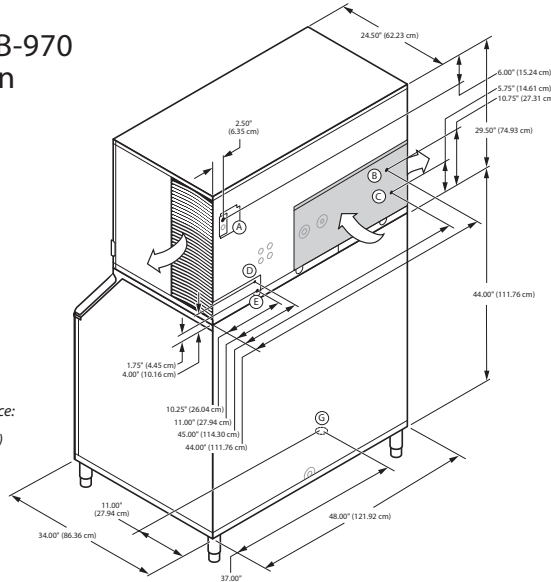
Sides: 24" (61.0 cm)

Back: 12" (30.5 cm)

Water Cooled clearance:

Top/Sides: 8" (20.3 cm)

Back: 5" (12.7 cm)



- Ⓐ Electrical Entrance (2) Options
- Ⓑ 1/2" (1.27 cm) F.P.T. Water Condenser Outlet (water-cooled units)
- Ⓒ 3/8" (0.95 cm) F.P.T. Water Condenser Inlet (water-cooled units)
- Ⓓ 3/8" (0.95 cm) F.P.T. Ice Making Water Inlet
- Ⓔ 1/2" (1.27 cm) F.P.T. Ice Making Water Drain
- Ⓕ 1/2" (1.27 cm) Auxiliary Base Drain Socket
- Ⓖ 3/4" (1.91 cm) Bin Drain
- Ⓗ Air flow for air-cooled models

## Space-Saving Designs



### i-1406 B-970

Height	79.50" 201.90 cm
Width	48.00" 121.92 cm
Depth	34.00" 86.30 cm
Bin	710 lbs
Storage	322.2 kg

Height includes adjustable bin legs 6.00" to 8.00", (15.24 to 20.32 cm) set at 6.00" (15.24 cm).

## Specifications

	Model	Ice Shape	Ice Production 24 Hours		Power Usage kWh/100 lbs @90° Air/70°F		Water Usage/ 100 lbs 45.4 kg of Ice	ENERGY STAR®
			70° Air/ 50°F Water	90° Air/ 70°F Water	1 Ph	3 Ph	Potable Water	
AIR-COOLED	ID-1406A	dice	1,629 lbs	1,235 lbs	4.52	4.52	20 gal	★
			739 kg	560 kg			75.7 L	
AIR-COOLED	IY-1406A	half-dice	1,659 lbs	1,308 lbs	4.32	4.32	20 gal	★
			753 kg	593 kg			75.7 L	
WATER-COOLED	ID-1406W	dice	1,585 lbs	1,325 lbs	3.75	3.75	20 gal	NA
			719 kg	601 kg			75.7 L	
WATER-COOLED	IY-1406W	half-dice	1,643 lbs	1,357 lbs	3.75	3.75	20 gal	NA
			745 kg	616 kg			75.7 L	
* Water-cooled Condenser Water Usage / 100 lbs /45.4 kg Of Ice: 154 gal / 583 L * Water-cooled models are excluded from ENERGY STAR qualification.								
REMOTE-COOLED	ID-1496N	dice	1,539 lbs	1,295 lbs	4.22	4.22	20 gal	★
			698 kg	587 kg			75.7 L	
REMOTE-COOLED	IY-1496N	half-dice	1,588 lbs	1,305 lbs	4.23	4.23	20 gal	★
			707 kg	592 kg			75.7 L	

Order ice storage bin separately. To order 3 phase add "3" suffix to model # (ID-1202A3).

## Accessories

**LuminIce® Growth Inhibitor**  
reduces yeast and bacteria growth for a cleaner ice machine.



**Bin Level Control**  
Allows ice bin level to be automatically set. Built-in LED light illuminates bin.



**Arctic Pure® Water Filters**  
Reduces sediment and chlorine odors for better tasting ice.



**AuCS®**  
schedules and performs routine ice machine cleaning automatically.

